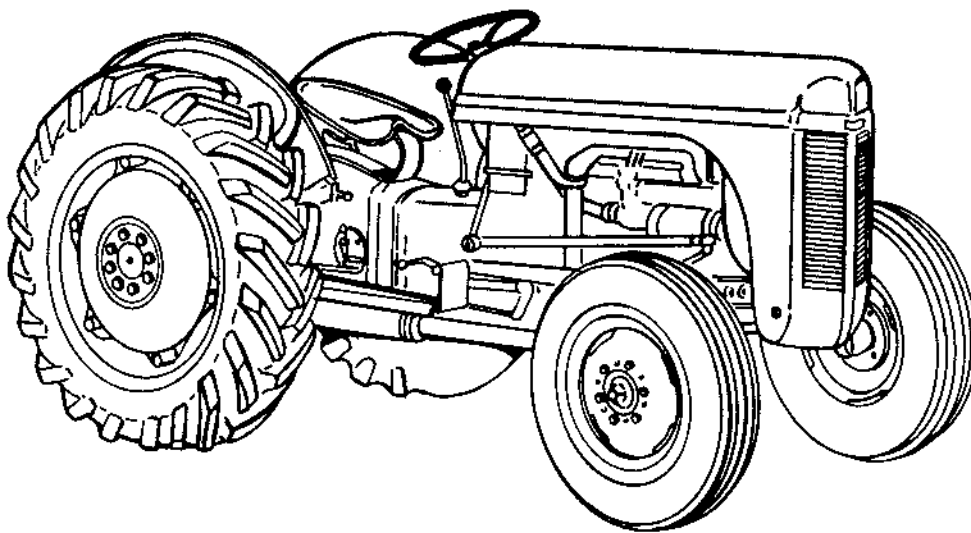


PARTS BOOK

**TO-30, TO-20, TE-20,
TE-A20 TRACTORS**



Massey Ferguson

NORTH AMERICAN PARTS OPERATION

FORM NO. 693 041 M4

GENERAL INFORMATION

THIS BOOK IS PRINTED IN TWO SECTIONS. THE FIRST SECTION CONTAINS A PICTORIAL AND A GROUP INDEX PLUS A NUMERICAL INDEX OF ALL PART NUMBERS INCLUDED IN THIS BOOK. THE PAGES IN THIS SECTION ARE NUMBERED WITH ROMAN NUMERALS.

THE SECOND SECTION INCLUDES A PART NUMBER LISTING REFERENCED TO ITEM NUMBERS ON THE ILLUSTRATED PAGE DIRECTLY OPPOSITE. PAGES IN THIS SECTION ARE NUMBERED WITH ARABIC NUMERALS.

THE PAGE NUMBERS APPEAR IN THE UPPER OUTER CORNER OF THE PAGE. PARTS BOOK NUMBER AND DATE APPEAR IN THE LOWER RIGHT HAND CORNER OF THE PAGE. THE PART NUMBER LISTING PAGE WILL ALSO CARRY THE MACHINE NAME TO ASSIST IN IDENTIFYING THE MACHINE TO WHICH THE PARTS BOOK APPLIES.

WHEN CHANGES TO THE MACHINE MAKE IT NECESSARY, REVISED PAGES FOR THIS BOOK WILL BE ISSUED. THE REVISED PAGES WILL BE ISSUED WITH THE SAME PAGE NUMBER AS THOSE THEY REPLACE AND THE "ISSUE" NUMBER AND DATE WILL BE ADVANCED. NEW PAGES WILL CARRY AN EXISTING PAGE NUMBER WITH AN ALPHABETICAL SUFFIX.

FROM TIME TO TIME CHANGE INFORMATION WILL BE ISSUED IN THE FORM OF A "PARTS RELEASE AND CHANGE BULLETIN". INFORMATION FROM THESE BULLETINS SHOULD BE ENTERED IN THE PROPER PAGES AS SOON AS THE BULLETINS ARE RECEIVED.

WHENEVER A PAGE OF THIS BOOK IS RE-ISSUED, THE CURRENT PAGE LISTING WILL ALSO BE RE-ISSUED. THIS LISTING WILL SHOW THE ISSUE NUMBER AND DATE OF ISSUE OF EACH PAGE AS A CHECK SHEET COVERING THE ENTIRE BOOK.

IT IS IMPERATIVE THAT REVISED PARTS BOOK PAGES BE INSERTED INTO THEIR RESPECTIVE PARTS BOOKS AS SOON AS RECEIVED. FAILURE TO DO SO WILL LEAD TO CONFUSION AND DEFEAT THE PURPOSE OF THE BOOK.

INDENTED PARTS IN THE DESCRIPTIVE LIST ARE A PART OF THE PRECEDING ASSEMBLY OF SUB-ASSEMBLY.

THE QUANTITY SHOWN IN THE "NUMBER REQUIRED" COLUMN IS THE NUMBER OF PARTS USED ON A MACHINE EXCEPT WHERE PARTS ARE INDENTED IN DESCRIPTIVE LIST. IN THIS CASE THE QUANTITY SHOWN IS THE NUMBER REQUIRED FOR THE PRECEDING ASSEMBLY OR SUB-ASSEMBLY.

FOR CERTAIN PARTS SUCH AS BOLTS, NUTS, WASHERS, SHIMS, ETC. AN "X" WILL BE SHOWN IN THE "NUMBER REQUIRED" COLUMN. THIS "X" INDICATES THAT THE QUANTITY TO BE USED IS "AS REQUIRED".

ALWAYS CHECK ILLUSTRATION AND NUMBER LISTING PAGE BEFORE ORDERING. NEVER ORDER FROM ILLUSTRATION ALONE.

FOREWORD

Massey Ferguson TRACTORS, COMBINES,
BALERS AND IMPLEMENTS ARE DESIGNED AND BUILT
FOR MAXIMUM PERFORMANCE AND LONG LIFE. ALL
SERVICE PARTS ARE MANUFACTURED WITH THE SAME
CARE AND PRECISION EXERCISED IN PRODUCTION.

STOCK AND SELL ONLY Massey Ferguson PARTS

GROUP INDEX
TO 20 AND 30 MODELS

	Pages	
	TO 20	TO 30
Air Cleaners.....	39	39
Belt Pulley.....	119	119
Brakes.....	101	101
Brake and Clutch Controls.....	105	105
Camshaft.....	9	9
Carbureter.....	49	45,47
Center Housing.....	93	93
Clutch.....	95	95
Connecting Rods and Bearings.....	13	13
Crankshaft and Bearings.....	9	9
Cylinder Block and Timing Gear Cover.....	5	3
Cylinder Head and Cover.....	19	17
Decals.....	133	133
Differential.....	111	109
Distributor.....	65	65
Drawbar.....	121	121
Electrical Wiring.....	59	59
Engine Gasket Kit.....	23	23
Fenders.....	131	131
Flywheel.....	9	9
Front Axle and Tie Rod.....	85	85
Front Wheel and Accessories.....	123	123
Fuel Tank and Filter.....	41	41
Gear Shift.....	89	89
Generator.....	69	69
Governor.....	53	53
Hood and Attaching Parts.....	127	127
Hydraulic Breakaway Coupling.....	153	153
Hydraulic Lift Cover and Controls.....	141	141
Hydraulic Lift Shaft.....	143	143
Hydraulic Pull Behind Cylinder.....	151	151
Hydraulic Pump.....	147	147
Hydraulic Valve.....	153	153
Instrument Panel.....	57	57
Lamps.....	79,81	79,81
Lamp Wiring.....	77	77
Lower Lift Links and Check Chain.....	139	139
Manifold.....	37	37
Muffler.....	37	37
Oil Filter.....	27	25
Oil Pan.....	27	25
Oil Pump.....	27	25
Pistons and Rings.....	13	13
Platforms.....	131	131
Power Take-off.....	115	115
Power Take-off Extensions.....	117	117
Radiator.....	33	33
Rear Axle.....	97	97
Rear Wheels and Accessories.....	125	125
Safety Lamp and Flasher.....	83	83
Seat.....	129	129
Starter.....	73	73
Steering Gear.....	87	87
Throttle and Choke.....	53	53
Timing Gears.....	9	9
Tools and Accessories.....	133	133
Tractormeter.....	57	57
Transmission.....	91	91
Transmission Case.....	93	93
Upper Lift Links (Center).....	137	137
Upper Lift Links (Outer).....	135	135
Valves and Rocker Arms.....	19	17
Water Pump.....	33	33
TO-D TRACTOR.....	155	-

GROUP INDEX

TE 20 MODELS

	<u>Page</u>
Air Cleaners.....	39
Beit Pulley.....	119
Brakes.....	101
Brake and Clutch Controls.....	107
Camshaft.....	9
Carbureter.....	49
Center Housing.....	93
Clutch.....	95
Connecting Rods and Bearings.....	13
Crankshaft and Bearings.....	9
Cylinder Block and Timing Gear Cover.....	5
Cylinder Head and Cover.....	19
Decals.....	133
Differential.....	111
Distributor.....	67
Drawbar.....	121
Electrical Wiring.....	61
Engine Gasket Kit.....	23
Fenders.....	131
Flywheel.....	9
Front Axle and Tie Rod.....	85
Front Wheels and Accessories.....	123
Fuel Tank and Filter.....	43
Gear Shift.....	89
Generator.....	71
Governor.....	53
Hood and Attaching Parts.....	127
Hydraulic Lift Cover and Controls.....	141
Hydraulic Lift Shaft.....	143
Hydraulic Pump.....	147
Instrument Panel.....	57
Lamps.....	79,81
Lamp Wiring.....	77
Lower Lift Links and Check Chain.....	139
Manifold.....	37
Muffler.....	37
Oil Filter.....	27
Oil Pan.....	27
Oil Pump.....	27
Pistons and Rings.....	13
Platforms.....	131
Power Take-off.....	115
Power Take-off Extensions.....	117
Radiator.....	33
Rear Axle.....	99
Rear Wheels and Accessories.....	125
Safety Lamp and Flasher.....	83
Seat.....	129
Starter.....	75
Steering Gear.....	87
Throttle and Choke.....	53
Timing Gears.....	9
Tools and Accessories.....	133
Transmission.....	91
Transmission Case.....	93
Upper Lift Links (Center).....	137
Upper Lift Links (Outer).....	135
Valves and Rocker Arms.....	19
Water Pump.....	33

GROUP INDEX

TE-A20 MODELS

	<u>Page</u>
Air Cleaner.....	39
Belt Pulley.....	119
Brakes.....	101,103
Brake and Clutch Controls.....	107
Camshaft.....	11
Carbureter.....	51
Center Housing.....	93
Clutch.....	95
Connecting Rods and Bearings.....	15
Crankshaft and Bearings.....	11
Cylinder Block.....	7
Cylinder Head and Cover.....	21
Decals.....	133
Differential.....	113
Distributor.....	67
Drawbar.....	121
Electrical Wiring (6 Volt).....	61
Electrical Wiring (12 Volt).....	63
Fenders.....	131
Flywheel.....	11
Front Axle and Tie Rod.....	85
Front Wheels and Accessories.....	123
Fuel Tank and Filter.....	43
Gear Shift.....	89
Generator.....	71
Governor.....	55
Hood and Attaching Parts.....	127
Hydraulic Lift Cover and Controls.....	141
Hydraulic Lift Shaft.....	145
Hydraulic Pump.....	149
Instrument Panel.....	57
Lamps.....	79,81
Lamp Wiring.....	77
Lower Lift Links and Check Chain.....	139
Manifold.....	37
Muffler.....	37
Oil Filter.....	29,31
Oil Pan.....	29
Oil Pump.....	7
Pistons and Rings.....	15
Platforms.....	131
Power Take-off.....	115
Power Take-off Extensions.....	117
Radiator.....	35
Rear Axle.....	99
Rear Wheels and Accessories.....	125
Safety Lamp and Flasher.....	83
Seat.....	129
Starter.....	75
Steering Gear.....	87
Throttle and Choke.....	55
Timing Gears and Cover.....	11
Tools and Accessories.....	133
Transmission.....	91
Transmission Case.....	93
Upper Lift Links (Center).....	137
Upper Lift Links (Outer).....	135
Valves and Rocker Arms.....	21
Water Pump.....	35

NUMERICAL INDEX

PART NUM.	SEE PAGE	PART NUM.	SEE PAGE	PART NUM.	SEE PAGE	PART NUM.	SEE PAGE
1260 A	7	16237 X	113	180085 M1	33	180681 M93	59
1691 X	9 141	16346 X	105 107	180088 M1	53	180687 M1	53
1958 X	3 5	16863 X	3 5	180089 M1	133	180689 M1	53 55
2950 X	11			180090 M1	133	180690 M1	127
2951 X	11 87	16898 X	139	180091 M1	133	180703 M1	53
11191 X	3 5	16907 X	115	180092 M1	133	180705 M1	33 35
11277 X	17 19	16926 X	117	180093 M1	53 55	180707 M92	131
		16928 X	117	180098 M91	41	180710 M1	53 55
11475 X	135	16993 X	155	180099 M91	59	180711 M91	53
12501 X	105	17392 A	113	180100 M91	25 27	180713 M2	53 55
13222 X	85 117	17508 A	155	180108 M1	133	180714 M1	53 55
13223 X	99	17595 A	3 5	180141 M91	41	180715 M1	37
13059 X	117	17608 A	3 5	180142 M92	59	180717 M91	131
13710 X	97 99	17767 A	47	180143 M1	93	180718 M1	127
13793 X	7	17914 A	85	180145 M1	33	180739 M1	77
13811 X	105 107	18291 A	17 19	180165 M91	59 61	180746 M2	77
		18542 X	89	180166 M92	59 61	180775 M1	123
14012 X	89	18560 X	85	180169 M1	59 61	180801 M1	93
14276 X	25 27	19254 X	95	180170 M91	41	180802 M1	97
14659 A	41	19259 X	3 5	180201 M1	39	180813 M1	101
14660 A	41	19454 X	25 27	180224 M91	33	180826 M1	101
14661 A	41	19467 X	119	180231 M1	59	180827 M1	101
14846 A	47 155	19752 X	69	180241 M91	95	180831 M1	101
14856 A	47	21176 A	17 19	180250 M91	95	180833 M1	101
15114 X	123	21195 A	25 27	180251 M2	95	180834 M1	101
15203 A	39	21207 A	17 19	180252 M1	95	180835 M1	101
15208 X	123		33 37	180253 M1	95	180836 M1	101
15209 X	123	21215 A	3 5	180256 M1	95	180846 M91	139
15240 A	3 5	21271 A	71	180257 M1	95	180847 M91	139
		22131 X	81	180258 M1	95	180853 M1	135
15245 A	3 5	22199 X	115	180262 M1	95	180855 M91	137
		22200 X	89	180263 M91	95	180856 M91	139
15251 A	3 5	22228 X	25 27	180289 M1	129	180859 M1	139
15256 A	13	22428 X	9	180292 M1	59	180860 M1	135
15263 A	9	22568 X	73	180293 M1	59	180863 M91	125
15284 A	9	22708 X	59	180296 M1	59 61	180864 M1	105
15285 A	9	22771 X	17	180326 M91	85	180865 M1	105
15286 A	9	29930 X	147 149	180327 M91	85	180866 M1	105
15322 A	25	29951 X	85	180333 M1	139	180867 M1	105 107
15329 A	27	29980 X	47 49	180338 M92	123	180868 M1	105 107
15344 A	3 5	29981 X	47 49	180342 M91	85	180869 M1	105 107
15356 A	9	49612 X	51	180344 M1	85	180870 M1	105
15358 A	77	150662 M1	123	180345 M1	85	180876 M1	125
15363 X	69 71	180001 M1	89	180346 M92	85	180880 M1	141
15410 X	3 5	180004 M1	97 99	180349 M92	85	180881 M1	93
15438 X	35		125	180350 M1	85	180884 M1	143 145
15442 A	47 49	180005 M1	89	180351 M91	85	180886 M91	141
15443 A	47 49	180006 M91	89	180355 M2	85	180888 M1	141
15459 A	47 49	180008 M1	123	180359 M91	85	180889 M1	141
15462 A	47 49	180009 M1	123	180360 M1	85	180890 M1	133
15467 A	47 49	180010 M1	123	180361 M1	85	180891 M1	141
15469 A	47 155	180013 M91	119	180362 M1	39	180893 M1	141
15470 A	47 49	180015 M1	119	180363 M1	87	180894 M1	141
15471 A	47 49	180016 M91	119	180364 M91	37	180895 M1	141
15472 A	47 49	180019 M1	119	180365 M2	37	180896 M1	143 145
15473 A	47 49	180020 M1	119	180367 M91	123	180897 M1	141
15474 A	47 49	180021 M1	119	180381 M91	85	180903 M2	143 145
15479 A	47 49	180053 M1	41	180391 M91	85	180910 M1	143 145
15480 A	47 49	180059 M1	41	180474 M1	59 61	180912 M92	121
15481 A	47 49	180060 M1	41	180476 M1	91	180913 M2	121
15489 A	47 49	180061 M1	41	180489 M91	121	180916 M1	143 145
15490 A	47 49	180062 M1	39	180493 M1	121	180917 M1	143 145
15793 A	39	180063 M1	41 43	180494 M1	121	180998 M1	141
15798 A	13	180066 M1	95	180576 M1	87	181049 M1	137
15853 X	91 93	180069 M1	3 5	180577 M1	87	181050 M1	143 145
		180070 M1	37	180581 M1	89	181055 M1	141
15854 X	91 93	180073 M1	41	180583 M1	89	181056 M1	143 145
		180074 M1	41	180590 M1	131	181057 M1	143 145
15856 X	49	180077 M1	41	180596 M1	97	181058 M1	143 145
16234 X	117 119	180082 M1	41 43	180673 M1	57	181059 M1	143 145

NUMERICAL INDEX

PART NUM.	SEE PAGE	PART NUM.	SEE PAGE	PART NUM.	SEE PAGE	PART NUM.	SEE PAGE
181637 M91	41 43	181743 M91	155	182925 M91	81	195160 M1	97 99
181641 M91	41	181744 M1	155	182926 M91	81		109 111
181643 M91	49	181749 M91	119	183002 M1	125	195162 M1	97 99
181644 M91	47	181750 M1	119	193103 M2	121	195163 M1	109 111
181657 M91	39	181751 M1	119	183206 M91	129	195171 M1	117
181658 M91	39	181752 M1	119	183219 M91	85	195172 M1	111 113
181659 M91	39	181753 M1	119	183221 M1	85	195195 M1	109
181661 M2	39	181754 M91	119	183222 M1	85	195207 M1	95
181662 M1	39	181755 M91	119	183223 M1	85	195222 M1	117
181663 M1	39	181756 M1	121	183224 M1	99	195223 M1	57
181664 M1	39	181757 M1	121	183254 M1	97	195235 M1	59
181665 M1	39	181758 M91	121	183259 M1	97 99	195237 M1	59
181666 M91	69 71	181759 M1	121	183260 M1	97 99	195238 M1	145
181671 M91	53	181760 M1	121	183261 M1	97 99	195239 M1	105 107
181672 M1	53	181761 M1	121	183357 M91	95		139
181673 M91	69	181762 M1	121	183497 M91	57	195251 M1	87 93
181674 M91	69	181763 M1	121	183499 M1	57		119
181676 M1	59 61	181764 M1	121	183614 M2	137	195256 M1	105 107
181677 M1	59 61	181765 M1	121	183619 M92	137	195259 M1	85
181678 M1	59 61	181766 M91	121	184079 M91	137	195262 M1	97 99
181679 M1	59	181767 M91	121	184089 M1	137	195270 M1	105
181680 M91	59	181770 M1	125	184245 M91	59	195284 M1	91
181681 M1	59	181773 M91	117	184312 M91	117	195340 M1	121
181682 M1	59	181775 M91	121	184355 M91	137	195344 M1	121 137
181683 M1	59	181776 M91	121	184358 M1	135		139
181685 M91	65	181777 M1	121	184503 M91	147 149	195373 M1	137
181686 M91	65	181778 M1	121	184592 M1	93	195383 M1	153
181688 M91	61 63	181798 M1	93	184859 M1	105 107	195387 M1	141
181697 M1	59 61	181807 M91	5	184891 M91	137	195388 M1	153
181698 M1	59 61	181838 M1	117	185083 M91	117	195441 M1	69 73
181699 M91	59	181839 M1	117	185148 M91	141	195442 M1	41
181700 M91	59	181846 M92	121	185220 M1	135	195444 M1	155
181701 M91	59	181849 M1	21	185273 M91	137	195454 M1	85
181702 M1	127	181850 M91	21	185389 M91	97	195457 M1	135
181703 M91	127	181851 M91	21	185400 M1	97 99	195469 M1	153
181704 M91	127	181863 M91	133	185923 M91	95	195470 M1	153
181705 M91	127	181871 M91	61	186017 M91	125	195472 M1	119
181706 M91	127	181872 M91	55	186186 M1	125	195473 M1	119
181707 M1	133	181873 M1	55	186959 M91	77	195474 M1	119
181708 M1	133	181874 M1	55	186987 M1	83	195481 M1	137
181709 M1	133	181875 M91	59	187210 M1	69	195490 M1	123
181710 M1	133	181953 M2	85	187531 M91	77	195512 M1	117
181711 M91	59 61	181957 M91	45	187557 M1	125	195527 M1	119
181712 M1	59 61	181983 M1	143 145	187688 M1	53 55	195540 M1	37 65
181713 M1	133	181985 M1	121	188716 M93	41 43	195546 M1	3 5
181714 M1	133	181986 M1	121	189256 M1	133	195549 M1	25 45
181715 M1	39	182093 M92	125	189257 M1	133		47 49
181716 M1	39	182096 M1	125	189646 M91	97	195550 M1	45 47
181718 M1	25	182143 M1	53	189648 M91	97		49
181719 M1	25	182243 M91	39	190740 M91	79	195551 M1	53
181720 M1	25	182278 M1	97 99	190741 M91	79	195555 M1	97 99
181722 M91	25	182284 M91	155	190927 M91	79	195557 M1	97 99
181723 M91	143	182391 M1	135	191314 M1	3 5	195559 M1	121 137
181724 M91	143	182525 M1	97	191672 M1	123	195591 M1	65
181725 M1	25	182526 M91	97	191929 M92	131	195592 M1	87
181726 M1	25	182544 M92	135	192007 M1	89	195594 M1	143 145
181727 M91	25 27	182617 M1	125	192048 M1	125	195595 M1	143 145
181728 M1	25	182618 M2	125	192058 M1	125	195604 M1	105
181729 M91	25	182619 M1	125	192427 M1	59	195611 M1	143 145
181730 M1	25	182641 M1	135	193066 M1	135	195620 M1	133
181731 M1	25	182642 M91	135	193092 M1	135	195621 M1	133
181732 M1	33 155	182642 M92	135	193181 M1	135	195622 M1	133
181733 M91	155	182642 M93	135	193346 M1	53 55	195623 M1	133
181734 M91	155	182785 M1	117	193400 M1	93	195632 M1	143 145
181735 M1	155	182787 M1	117	193672 M91	137	195645 M1	139
181736 M91	155	182788 M1	117	193701 M1	125	195647 M1	137
181737 M1	155	182811 M1	121	195152 M1	119	195648 M1	135
181738 M91	155	182850 M1	85	195153 M1	119	195675 M1	97
181739 M91	155	182897 M1	139	195159 M1	109 111	195677 M1	97
181740 M91	155	182924 M91	81		113	195678 M2	97

PART NUM.	SEE PAGE	PART NUM.	SEE PAGE	PART NUM.	SEE PAGE	PART NUM.	SEE PAGE
195679 M1	133	353447 X1	109 111	353697 X1	89	353995 X1	153
195682 M1	115 119		113	353698 X1	69 73	354007 X1	93
195683 M1	123	353486 X1	153		75 93	354019 X1	63 87
195708 M1	151	353500 X1	55 59	353699 X1	93 141	354026 X1	37
195709 M1	143	353501 X1	127	353700 X1	63 93	354039 X1	53 55
195716 M1	117	353503 X1	57		115		93 155
195735 M1	59	353504 X1	127 143	353701 X1	87 93	354041 X1	53
195746 M1	91		145	353702 X1	71 87	354046 X1	33 35
195752 M1	57	353512 X1	105 107		105 117		53 55
195758 M1	119	353514 X1	77	353703 X1	93	354048 X1	89 119
195759 M1	119	353517 X1	7 35	353704 X1	147 149	354055 X1	105 107
195760 M1	93		71	353710 X1	93		139 145
195761 M1	87	353520 X1	69	353713 X1	105	354057 X1	85 105
195763 M1	115	353521 X1	85	353718 X1	93		107 139
195783 M1	87	353528 X1	11	353731 X1	125	354059 X1	135 139
195788 M1	147	353531 X1	71	353753 X1	57 63	354061 X1	25 27
195794 M1	121	353537 X1	131	353754 X1	65 67		101 103
195803 M1	79	353538 X1	91 115		127 141	354070 X1	119
195849 M1	119	353540 X1	153	353755 X1	7 21	354074 X1	137
195850 M1	79	353541 X1	131		29 59	354089 X1	121 137
195852 M1	87	353545 X1	15	353756 X1	17 19	354119 X1	65 67
195854 M1	141 147	353557 X1	39 59		21 37	354120 X1	33 35
	149		61 63	353757 X1	3 5		63 127
195857 M1	155	353558 X1	119		7 87	354123 X1	33 59
195858 M1	155	353561 X1	85 121	353758 X1	121		73
195861 M1	133		147	353771 X1	83	354187 X1	53
195862 M1	133	353562 X1	93 121	353772 X1	85 121	354189 X1	55
195919 M1	151		137		137 141	354195 X1	151
195933 M1	105 107	353563 X1	147 149	353774 X1	85 97	354204 X1	57
195982 M1	77	353564 X1	93		99 119	354239 X1	129
196027 M1	151	353566 X1	89	353791 X1	83	354264 X1	35
196095 M1	117	353568 X1	105 107	353792 X1	83	354267 X1	35
196096 M1	117	353570 X1	105 107	353793 X1	129	354270 X1	35
196099 M1	85	353571 X1	105 107	353801 X1	131	354390 X1	53 55
196280 M91	121 137	353572 X1	85	353807 X1	129	354403 X1	141
	139	353580 X1	71	353827 X1	129	354407 X1	127
300975 M1	97	353588 X1	7	353828 X1	33 35	354410 X1	129
343957 X1	101 103	353592 X1	85	353830 X1	137	354437 X1	141
350351 X1	123	353595 X1	83	353855 X1	121	354465 X1	101 103
350355 X1	85	353599 X1	121	353867 X1	121	354614 X1	11
353213 X1	35	353616 X1	125	353885 X1	7	354615 X1	37
353391 X1	143 145	353622 X1	85	353897 X1	17 19	354627 X1	31
353422 X1	73 75	353625 X1	85	353916 X1	7 11	354892 X1	87
353426 X1	3 5	353642 X1	85		17 19	354900 X1	21
	7 9	353648 X1	131	353917 X1	21 83	355444 X1	155
353427 X1	85 101	353665 X1	7 127	353918 X1	53 55	355465 X1	69
	121 125	353666 X1	3 5		57 63	355542 X1	3 5
353428 X1	71		65	353919 X1	53 55		17 19
353430 X1	105 107	353667 X1	7		67	355543 X1	19
353431 X1	21 35	353669 X1	37 61	353922 X1	93	355547 X1	37
	37 101		63	353925 X1	89 119	355564 X1	3 5
353432 X1	7 33	353674 X1	141		139 141		11 17
	35 39	353676 X1	37	353926 X1	85 111	355565 X1	37 45
353433 X1	85 121	353677 X1	7 11		113		47 49
	125 131		25 27	353927 X1	99 119	355566 X1	17 19
353434 X1	3 5	353678 X1	7 21		139		37
	17 19		41 43	353928 X1	119 123	355582 X1	39 59
353436 X1	87 151	353679 X1	25 31	353960 X1	87		61 63
353437 X1	121 123		37	353961 X1	141	355584 X1	129
	145	353681 X1	29	353962 X1	97 99	355617 X1	3 5
353439 X1	7 85	353684 X1	37	353964 X1	3 5	355645 X1	63 71
	121 123	353686 X1	107		139	355732 X1	43
353441 X1	7 11	353689 X1	59	353975 X1	59 73	355747 X1	69 73
	17 19	353690 X1	93		79 81		75
353444 X1	65 69	353691 X1	17 19	353976 X1	65	355833 X1	27
	73 127	353692 X1	91 93	353979 X1	79 81	356360 X1	153
353445 X1	33 35		115	353980 X1	53 127	356635 X1	25 27
	53 57	353693 X1	91	353986 X1	35		29
353446 X1	7 11	353694 X1	93	353988 X1	59	357191 X1	151
	21 25	353696 X1	93 115	353989 X1	37	357195 X1	153

NUMERICAL INDEX

PART NUM.	SEE PAGE	PART NUM.	SEE PAGE	PART NUM.	SEE PAGE	PART NUM.	SEE PAGE
357197 X91	153	670583 M1	153	825018 M1	43	825101 M91	141
357357 X1	79	675222 M1	119	825020 M1	43	825102 M1	21
357470 X1	65	677005	125	825021 M91	55	825103 M1	11
357516 X1	69	677006	117	825022 M1	149	825104 M1	29 31
357561 X1	151	677012	121	825023 M1	149	825105 M1	7
358678 X1	59	677013	121	825024 M1	103	825107 M1	21
358490 X1	53 55	677014	117	825027 M1	91	825108 M1	21
	57 59	677022	121	825029 M91	91	825109 M1	7
359244 X1	43	677023	121	825030 M91	93	825110 M1	21
359404 X1	9	677044	129	825032 M1	149	825111 M1	11
360343 X1	127	677045	125	825033 M1	55	825112 M1	11
361026 X1	141	677054	153	825034 M1	55	825113 M1	15
363430 X1	125	677057	125	825035 M91	149	825115 M1	29 31
363575 X1	65	677058	125	825036 M91	57	825116 M1	95
363576 X1	69	677061	135	825037 M1	55	825117 M1	29 31
363577 X1	69	677085	119	825038 M1	103	825118 M1	29 31
363580 X1	65	677111	117	825039 M1	103	825119 M1	31
363582 X1	73	677118	125	825040 M1	103	825120 M1	31
363585 X1	69	677137	121	825041 M1	103	825121 M1	31
363710 X1	69	677197	137	825042 M1	101 103	825122 M1	31
363712 X1	65	677218	123	825043 M1	89	825123 M1	31
364125 X1	21	677240	121	825045 M91	63	825124 M1	31
364265 X1	91 115	677252	83	825046 M1	103	825125 M1	21
365781 X1	11	677280	83	825047 M1	103	825126 M1	7
365936 X1	33 35	677315	123	825048 M1	63	825130 M2	21
367188 X1	47 49	677317	125	825049 M1	63	825131 M1	7
375099 X1	125	677702	119	825050 M91	103	825133 M1	21
375142 X1	69	686671 M91	151	825051 M1	63	825134 M91	21
375182 X1	119	686675 M1	151	825052 M1	39	825135 M1	11
375200 X1	29	686677 M2	151	825054 M91	55	825136 M1	11
375213 X1	73	686678 M1	151	825055 M1	103	825138 M1	15
506020 M91	123	760001 M2	55	825057 M1	61 63	825140 M1	15
510438 X1	77	760029 M91	3 5	825058 M1	61	825141 M1	35
510439 M1	77	760138 M1	3 5	825059 M1	145	825142 M1	11
513349 M1	131		11	825060 M91	55	825144 M1	35
513349 M2	131	760156 M1	27	825061 M1	55	825145 M1	35
513353 M91	129	760159 M1	25 27	825062 M91	103	825146 M1	15
515521 M91	59	760161 M1	33	825063 M1	103	825147 M1	15
520858 M1	89	760195 M1	25 27	825064 M1	103	825148 M1	15
520948 M91	155	760215 M1	33	825065 M1	63	825149 M1	11
521181 M1	93	760402 M1	3 5	825067 M91	55	825150 M1	11
525904 M91	131	760471 M91	47 49	825069 M1	91	825151 M1	11
542748 M1	83	760548 M1	33	825070 M91	91	825153 M1	11
632948 M42	43	760702 M1	155	825072 M91	55	825154 M1	55
632952 M1	43	760906 M1	87	825074 M1	39	825155 M1	55
632954 M1	43	760907 M1	87	825075 M1	39	825156 M91	55
642773 M1	43	760916 M1	13	825076 M1	127	825157 M91	55
667556 M1	119	761338 M1	79	825077 M1	103	825158 M1	11
668496 M1	151	761647 M91	53	825078 M1	103	825163 M1	11
668497 M92	151	761892 M91	29	825080 M91	143 145	825164 M91	29
669026 M1	153	762191 M1	153	825081 M91	37	825165 M1	11
669045 M92	151	763190 M1	101	825082 M1	39	825166 M1	11
669058 M91	153	763402 M1	123	825083 M91	39	825167 M1	11
669059 M91	153	763716 M1	3 5	825084 M1	35	825168 M1	11
665060 M91	153		33 35	825085 M91	149	825169 M1	11
670002 M1	153	768300 M1	89	825086 M91	85	825170 M1	11
670003 M1	153	825000 M1	55	825087 M91	39	825171 M1	7
670004 M1	153	825001 M1	33 35	825088 M1	93	825172 M1	67
670008 M1	153	825002 M1	85	825089 M91	39	825173 M91	7
670025 M91	153	825003 M1	37	825090 M91	43	825176 M1	7
670027 M1	153	825004 M1	39	825091 M91	103	825177 M1	11
670028 M1	153	825007 M1	39	825092 M91	103	825178 M1	11
670029 M1	153	825008 M1	55	825093 M91	37	825179 M1	11
670030 M1	153	825009 M1	61	825094 M91	63	825181 M91	35
670032 M1	153	825012 M1	37	825095 M91	29	825184 M1	7
670033 M1	153	825013 M1	37	825096 M91	35	825185 M1	11
670034 M1	153	825014 M1	39	825097 M91	43	825186 M1	21
670035 M1	153	825015 M1	39	825098 M1	35	825187 M1	21
670036 M1	153	825016 M1	39	825099 M91	103	825188 M1	21
670037 M1	153	825017 M91	55	825100 M91	103	825189 M1	55

NUMERICAL INDEX

PART NUM.	SEE PAGE	PART NUM.	SEE PAGE	PART NUM.	SEE PAGE	PART NUM.	SEE PAGE
825190 M1	7	825266 M1	51	825382 M1	71	825466 M91	99
825191 M1	71	825267 M1	51	825384 M1	7	825467 M91	99
825192 M1	21	825268 M1	51	825385 M1	7	825468 M91	93
825193 M1	21	825269 M1	51	825386 M1	35	825469 M91	21
825194 M2	37	825270 M1	31	825388 M1	21	825470 M1	11
825197 M1	7	825271 M1	29 31	825389 M91	21	825472 M1	35
825199 M1	11	825272 M1	51	825390 M1	21	825473 M1	35
825200 M1	11	825273 M1	51	825391 M1	21	825474 M1	51
825204 M91	7	825274 M91	31	825392 M91	21	825475 M1	51
825205 M1	7	825275 M1	31	825393 M91	21	825476 M91	51
825206 M91	37	825276 M1	31	825395 M1	21	825477 M1	51
825207 M1	11	825277 M1	31	825396 M1	21	825478 M1	51
825208 M1	7	825278 M1	31	825397 M1	89	825480 M91	51
825209 M1	21	825279 M1	29 31	825398 M91	7	825482 M91	21
825210 M91	7	825280 M1	31	825399 M1	21	825483 M91	21
825211 M1	55	825281 M1	29 31	825400 M1	21	825485 M91	7
825212 M1	55	825283 M91	7	825401 M1	61 63	825486 M91	7
825213 M2	21	825284 M1	51	825404 M1	55	825487 M91	7
825214 M1	7	825285 M1	67	825405 M1	11	825488 M1	51
825215 M91	15	825288 M1	11	825406 M1	55	825489 M1	51
825216 M1	11	825290 M1	21	825407 M91	11	825490 M91	51
825217 M1	37	825293 M1	7	825408 M91	7 71	825491 M91	51
825219 M1	29	825294 M1	7	825409 M1	63	825492 M91	51
825220 M1	7	825295 M1	29	825410 M91	113	825493 M91	51
825221 M91	15	825296 M1	21	825411 M1	37	825494 M91	7
825222 M91	15	825297 M1	55	825412 M1	37	825495 M91	95
825223 M91	51	825298 M1	21	825413 M1	37	825497 M91	95
825224 M1	51	825299 M1	7 37	825414 M1	37	825500 M1	99
825225 M1	51	825300 M1	37	825415 M1	145	825501 M1	99
825226 M1	51	825301 M1	29 31	825417 M1	55	825502 M1	99 139
825227 M1	51	825304 M1	15	825418 M1	55	825504 M1	93
825228 M1	51	825305 M1	15	825419 M91	55	825505 M1	99
825229 M1	51	825306 M1	15	825420 M1	113	825509 M1	43
825230 M1	51	825307 M1	15	825421 M91	113	825510 M1	43
825231 M1	51	825308 M91	11	825422 M91	113	825511 M1	129
825232 M1	51	825309 M1	35	825424 M1	141	825512 M1	89
825233 M1	51	825310 M1	29 31	825425 M1	141	825513 M1	37
825234 M91	51	825311 M1	29 31	825426 M1	141	825514 M1	99
825235 M1	51	825312 M1	71	825427 M1	141	825515 M1	67
825236 M1	51	825313 M1	63	825428 M1	141	825516 M1	61 63
825237 M1	51	825314 M1	21	825429 M1	141	825517 M1	107
825238 M1	51	825315 M1	15	825434 M91	149	825519 M1	93
825239 M1	51	825316 M1	15	825435 M91	149	825520 M1	93
825240 M91	51	825317 M1	15	825436 M91	149	825521 M1	127
825241 M1	51	825318 M1	15	825437 M1	141	825522 M1	37
825242 M1	51	825319 M1	15	825438 M1	145	825527 M1	127
825243 M1	51	825320 M91	37	825439 M91	149	825528 M91	127
825244 M91	51	825321 M1	37	825440 M91	35	825529 M1	127
825245 M1	51	825322 M1	37	825441 M91	149	825530 M1	127
825246 M1	51	825323 M1	37	825444 M91	149	825531 M1	127
825247 M1	51	825324 M1	29	825445 M1	107	825532 M1	127
825248 M1	51	825325 M1	21	825446 M1	35	825534 M1	95
825249 M1	51	825327 M1	7	825447 M1	35	825535 M1	95
825250 M1	51	825363 M1	35	825448 M91	51	825536 M1	95
825251 M1	51	825364 M1	7	825449 M91	51	825537 M1	91
825252 M1	51	825365 M1	71	825450 M91	15	825538 M1	107
825253 M1	51	825366 M1	11	825451 M1	21	825539 M1	89
825254 M1	51	825367 M1	71	825452 M1	11	825540 M1	107
825255 M1	51	825368 M1	21	825453 M1	21	825541 M1	101 103
825256 M1	51	825369 M1	21	825454 M1	145	825542 M1	101 103
825257 M1	21	825370 M1	35	825455 M1	7	825543 M1	101 103
825258 M1	21	825371 M1	35	825456 M91	15	825544 M1	101 103
825259 M1	21	825372 M1	35	825458 M1	37	825545 M1	101 103
825260 M1	29	825373 M91	7	825459 M91	7	825546 M1	101 103
825261 M1	7	825374 M1	35	825460 M1	11	825547 M1	101 103
825262 M91	31	825375 M1	35	825461 M91	21	825549 M91	101 103
825262 M92	31	825376 M1	35	825462 M91	99	825550 M1	101 103
825263 M1	7	825377 M1	35	825463 M91	149	825551 M1	101 103
825264 M91	7	825378 M91	35	825464 M91	141	825552 M1	101 103
825265 M91	51	825379 M1	35	825465 M91	149	825553 M1	101 103

NUMERICAL INDEX

PART NUM.	SEE PAGE	PART NUM.	SEE PAGE	PART NUM.	SEE PAGE	PART NUM.	SEE PAGE
825554 M1	101 103	825638 M91	101 103	825805 M1	103	829824 M1	71
825555 M1	101 103	825639 M91	127	825806 M1	29 31	829825 M1	71
825556 M1	101 103	825640 M91	127	825807 M1	29 31	829826 M1	71
825557 M1	101 103	825641 M91	127	825808 M91	55	829827 M1	75
825558 M1	101 103	825643 M1	95	825809 M91	29 31	829828 M1	75
825559 M1	87	825644 M1	95	825810 M1	29 31	829829 M1	75
825560 M1	43	825645 M1	95	825811 M91	95	829830 M1	75
825561 M1	107	825646 M1	95	825812 M91	31	829831 M1	75
825562 M1	107	825649 M2	11	825813 M1	29 31	829832 M1	75
825564 M1	127	825650 M1	15	825814 M1	29 31	829833 M1	75
825565 M91	87	825651 M1	21	825815 M1	29 31	829834 M1	75
825566 M1	89	825652 M1	7	825816 M1	29 31	829835 M1	75
825569 M91	43	825653 M1	29	825817 M1	29 31	829837 M1	75
825571 M1	89	825654 M1	29	825818 M1	31	829838 M91	75
825572 M1	127	825655 M1	7	825821 M91	15	829839 M1	75
825573 M1	101 103	825656 M1	35	825836 M1	7	829840 M1	75
825574 M91	91	825657 M1	35	825837 M1	11	829841 M1	75
825575 M91	43	825659 M1	21	825838 M91	93	829842 M1	75
825577 M91	129	825660 M1	35	825840 M1	11	829843 M1	75
825578 M1	91	825662 M1	67	825865 M91	61 63	829844 M1	67
825579 M1	91	825663 M1	29 31	825871 M1	89	829845 M1	67
825582 M1	113	825664 M1	31	825913 M91	89	829846 M1	67
825583 M1	113	825665 M1	7	825916 M1	29	829848 M1	67
825584 M1	89	825666 M1	7	825917 M1	29	829849 M1	61 63
825585 M91	127	825667 M1	15	825918 M1	29 31	829851 M1	61
825586 M91	127	825684 M1	21 33	825918 M1	29	829852 M91	71
825587 M91	127	825688 M1	129	825933 M91	93	829853 M91	75
825588 M1	89	825689 M1	129	825982 M1	11	829854 M1	61 63
825589 M91	101 103	825690 M1	129	825983 M1	11	829855 M91	61
825590 M1	101 103	825691 M1	129	825987 M1	95	829856 M91	67
825591 M1	101 103	825692 M91	129	826120 M1	21	829857 M1	75
825592 M91	101 103	825693 M1	129	826239 M1	11	829858 M1	75
825593 M1	101 103	825694 M91	147	826240 M1	11	829859 M1	75
825594 M1	101 103	825695 M91	85	826690 M1	29	829860 M1	67
825595 M1	101 103	825697 M1	87 93	826732 M1	87	829863 M1	67
825596 M1	39	825698 M91	37	827142 M1	29	829864 M1	71 75
825598 M1	39	825699 M1	37	827422 M91	29	829866 M1	61 63
825599 M1	107	825700 M1	91	827501 M91	7	829867 M1	67
825600 M1	107	825701 M1	93	827552 M1	147 149	829868 M1	67
825601 M1	107	825702 M2	33 35	827553 M1	147 149	829869 M1	71
825604 M1	39	825703 M1	33 35	827707 M1	99	829870 M1	71
825605 M1	107	825704 M91	43	827708 M1	29	829871 M1	71
825606 M91	107	825705 M91	43	827709 M91	29 31	829873 M1	71
825607 M1	93	825706 M1	43	827711 M1	29	829874 M1	71
825608 M1	129	825707 M1	67	827712 M1	29	829875 M1	71
825609 M1	89	825708 M1	61 63	827770 M1	35	829876 M1	71
825610 M1	57	825709 M91	55	827935 M1	21	829879 M1	71
825611 M1	107	825711 M91	29	827936 M1	21	829880 M1	71
825612 M1	39	825715 M1	107	828085 M1	7	829881 M1	71
825613 M1	127	825716 M1	57	828133 M1	29	829882 M1	71
825615 M1	127	825720 M91	107	828134 M1	29	829884 M1	61 63
825616 M91	123	825722 M91	145	828217 M1	125	829885 M1	61 63
825618 M91	91	825723 M1	39	829029 M1	21	829888 M1	75
825619 M91	91	825725 M91	99	829790 M91	111 113	829889 M1	75
825620 M1	87	825726 M91	99	829800 M1	63	829890 M1	75
825621 M1	85	825731 M92	63	829801 M92	71	829891 M1	75
825622 M1	85	825734 M1	7	829802 M91	71	829892 M1	75
825623 M1	87	825738 M91	7	829803 M91	75	829893 M1	75
825624 M1	89	825740 M1	11	829806 M91	67	829894 M1	75
825625 M91	37	825741 M1	67	829807 M91	67	829895 M1	75
825626 M91	61	825742 M1	35	829812 M1	67	829897 M1	75
825627 M91	127	825743 M1	35	829813 M1	71	829898 M1	75
825628 M1	101 103	825747 M1	7	829814 M1	71	829899 M1	75
825629 M1	101 103	825749 M91	71	829815 M1	71	829900 M1	75
825630 M1	93	825753 M91	141	829816 M1	71	829901 M1	75
825633 M91	133	825759 M1	91	829817 M1	71	829902 M1	75
825634 M91	127	825774 M1	93	829819 M1	71	829903 M1	75
825635 M91	127	825776 M1	109	829820 M1	71	829904 M1	75
825636 M91	127	825786 M1	141	829821 M1	71	829905 M1	75
825637 M91	101 103	825804 M1	127	829823 M91	71	829906 M1	75

NUMERICAL INDEX

PART NUM.	SEE PAGE	PART NUM.	SEE PAGE	PART NUM.	SEE PAGE	PART NUM.	SEE PAGE
829907 M1	75	831333 M1	123	1 004512 M1	17 19	1 750002 M1	23
829908 M1	75	831337 M1	119	1 004514 M91	19	1 750006 M1	17 19
829909 M1	75	831363 M1	97 99	1 005076 M1	155	1 750010 M91	17 19
829910 M1	75	831451 M1	151	1 005438 M1	25	1 750011 M91	17 19
829912 M1	75	831452 M1	153	1 005935 M1	17 19	1 750024 M1	23 25
829914 M1	75	831454 M1	151	1 005960 M1	25 27		27
829915 M1	75	831470 M1	117	1 006594 M1	25	1 750034 M1	9
829916 M1	75	831513 M1	137	1 006690 M1	3 5	1 750042 M1	13
829917 M1	61 63	831585 M1	151		33	1 750043 M1	13 15
829919 M1	67	832397 M1	87	1 006935 M1	69 71	1 750045 M1	23 37
829920 M1	67	832696 M2	59 61	1 007646 M91	33	1 750052 M1	25 27
829921 M1	67	832713 M1	33 35	1 008251 M1	25	1 750055 M1	17 19
829923 M1	67		39	1 008597 M1	3 5	1 750056 M1	17 19
829926 M1	63	832960 M3	9 11	1 009061 M1	25 27	1 750057 M1	17 19
829927 M1	67	834242 M1	61	1 010459 M1	39		27
829928 M1	67	834243 M1	61	1 014219 M92	25	1 750058 M1	17 19
829929 M1	67	835086 M1	57	1 015128 M91	63	1 750061 M1	17 19
829931 M1	67	835544 M91	47 49	1 016918 M1	41	1 750062 M1	17 19
829933 M1	67	835567 M92	31	1 017341 M1	65 67		23
829934 M1	67	835643 M91	25 27	1 017753 M91	13	1 750066 M91	17 19
829935 M1	67	835983 M91	17	1 018391 M1	83	1 750067 M91	17 19
829936 M1	67	839012 M91	65	1 018392 M1	83	1 750068 M1	17 19
829937 M1	67	839013 M91	67	1 018393 M1	83	1 750070 M1	17
829938 M1	67	840708 M91	13	1 018394 M91	83	1 750072 M1	17
829939 M1	67	840712 M91	13	1 018395 M1	83	1 750074 M1	9
829941 M1	61 63	840873 M91	19	1 021673 M1	3 5	1 750077 M1	23 33
829942 M1	63	840930 M91	13	1 021788 M1	95	1 750085 M1	25 27
829943 M1	63	841247 M91	95	1 022240 M1	9	1 750087 M1	25 27
829947 M1	63	850127 M1	123	1 022241 M1	9	1 750088 M1	25 27
829950 M91	71	851147 M1	151	1 022242 M1	9	1 750090 M91	25 27
829951 M91	63	851258 M1	147 149	1 022243 M1	9	1 750094 M91	25
829953 M1	75	881144 M1	89	1 022315 M1	69	1 750095 M1	3 5
829959 M1	71	882232 M1	109 113	1 022319 M1	65	1 750096 M91	25
829960 M91	61 63	890286 M1	63	1 022321 M1	73	1 750100 M1	53 55
829969 M1	71	890461 M1	21	1 022604 M1	69	1 750103 M1	53
829973 M91	75	890462 M1	21	1 024070 M1	25	1 750108 M1	53
829974 M1	61 63	890487 M91	99	1 024262 M1	59 61	1 750110 M1	25 27
829975 M91	61 63	890523 M1	111 113	1 024353 M1	125	1 750111 M1	17 19
829977 M1	63	890524 M1	109 111	1 024392 M91	67	1 750112 M1	3 5
830482 M91	95		113	1 024400 M1	67	1 750120 M1	17 19
830483 M91	49	890530 M1	141	1 024805 M1	75	1 750126 M1	25 27
830486 M91	13	890576 M1	87	1 024807 M1	71	1 750127 M1	9
830490 M91	17 19	890583 M1	95	1 024922 M1	65 155	1 750129 M91	33
830503 M91	155	890672 M1	143 145	1 024924 M91	65 67	1 750130 M91	25
830504 M92	47 155	890675 M1	147 149	1 025006 M1	65	1 750131 M1	3 5
830508 M91	13	890676 M1	91	1 025008 M1	65		25 27
830509 M91	13	890700 M1	141	1 032399 M1	69	1 750134 M1	9
830510 M91	13	890722 M1	143 145	1 034700 M1	133	1 750139 M1	25 27
830517 M91	77	890727 M1	91	1 035023 M1	133	1 750140 M1	25 27
830537 M92	101	890738 M91	91	1 035877 M1	3 5	1 750147 M1	25 27
830538 M92	101	890743 M1	143	1 038526 M1	69	1 750149 M1	9
830631 M91	23	890745 M1	87	1 040597 M1	35	1 750151 M1	3 5
830633 M92	9	891933 M1	21 37	1 400185 M1	37	1 750169 M1	9
830640 M91	13	891947 M1	109	1 500015 M1	25 27	1 750170 M1	13
830641 M91	13	893008 M1	15	1 500054 M11	53	1 750186 M91	13
830644 M91	13	897098 M1	61 63	1 500056 M1	9	1 750187 M91	13
830646 M91	13	1 000148 M1	3 5	1 500062 M1	53	1 750188 M91	13
830649 M91	19	1 001298 M1	95	1 500071 M1	3 5	1 750206 M1	9
830650 M91	155	1 001514 M1	41	1 500098 M1	53	1 750207 M1	9
830662 M91	155	1 001515 M91	41	1 500101 M1	53	1 750208 M1	9
830663 M91	143 145	1 002044 M1	3 5	1 500107 M2	53 55	1 750209 M1	9
830703 M91	17 19	1 002785 M91	53	1 500195 M1	69	1 750211 M91	53
830704 M91	17 19	1 002802 M91	79	1 501962 M1	69	1 750212 M1	17
830705 M91	17	1 002803 M91	81	1 505306 M1	47 49	1 750214 M91	25 27
830724 M91	19	1 002849 M91	53		155	1 750216 M92	3 5
830726 M91	19	1 002867 M91	53	1 509295 M1	95	1 750236 M91	83
830727 M91	13	1 003287 M1	27	1 650038 M1	43	1 750237 M1	9
830728 M91	17	1 003304 M1	95	1 650041 M1	43	1 750239 M91	25 27
830862 M91	33	1 004496 M1	43	1 750000 M1	13 23	1 750260 M1	19
830910 M91	27	1 004498 M1	43	1 750002 M1	17 19	1 750266 M91	5

NUMERICAL INDEX

XIII

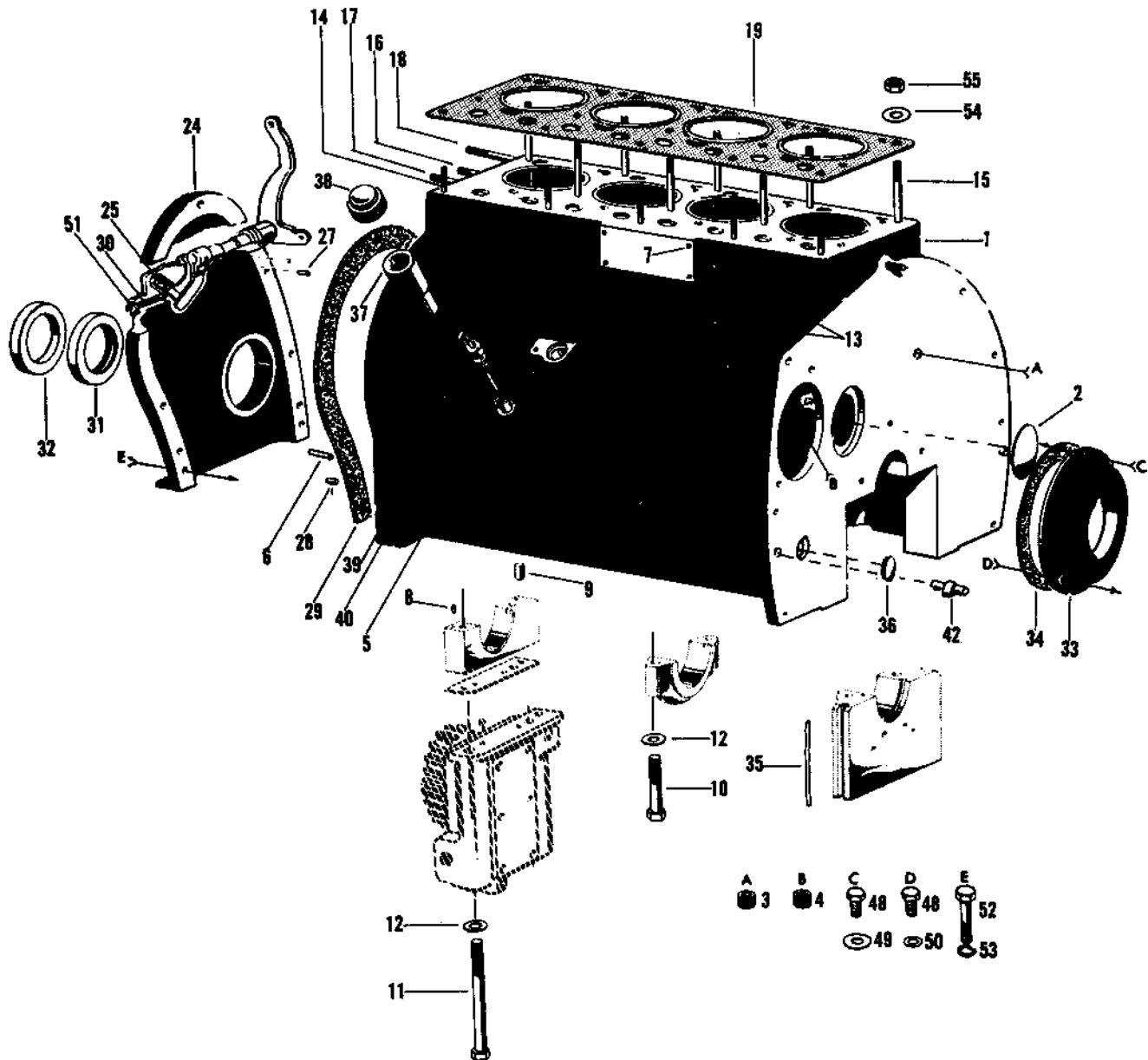
PART NUM.	SEE PAGE	PART NUM.	SEE PAGE	PART NUM.	SEE PAGE	PART NUM.	SEE PAGE
1 750267 M91	19	1 750399 M1	69	1 750498 M1	65	1 751175 M1	45
1 750268 M91	19	1 750400 M1	69	1 750499 M1	65 155	1 751176 M1	45
1 750269 M1	27	1 750401 M1	69	1 750500 M1	59 61	1 751177 M91	45
1 750270 M91	27	1 750402 M1	69	1 750501 M1	59 61	1 751178 M91	45
1 750272 M1	27	1 750403 M1	69	1 750503 M1	65	1 751179 M1	45
1 750273 M1	25 27	1 750404 M1	69	1 750504 M1	69	1 751180 M1	45
1 750274 M1	3 5	1 750406 M1	65	1 750505 M1	69	1 751185 M1	45
1 750275 M1	23	1 750408 M1	73	1 750506 M91	73	1 751186 M1	45
1 750276 M91	27	1 750409 M1	73	1 750507 M1	69	1 751187 M91	45
		1 750411 M91	65	1 750508 M1	69	1 751188 M1	45
1 750277 M91	3 5	1 750412 M1	65	1 750509 M1	69	1 751189 M1	45
1 750278 M91	27	1 750413 M1	69 73	1 750510 M91	65	1 751190 M1	45
1 750279 M1	9	1 750414 M1	69 73	1 750512 M91	69	1 751198 M1	45
1 750280 M1	9	1 750415 M1	69	1 750513 M1	65 155	1 751199 M91	45
1 750281 M91	9	1 750422 M91	69	1 750514 M1	65 155	1 751200 M1	45
1 750282 M91	9	1 750423 M1	69	1 750515 M1	65	1 751201 M91	45
1 750284 M1	9	1 750424 M1	69	1 750516 M1	69	1 751202 M91	45
1 750285 M1	9	1 750425 M1	69 73	1 750518 M1	73 75	1 751203 M91	45
1 750286 M1	9	1 750426 M1	69	1 750519 M1	65 155	1 751204 M1	45
1 750287 M1	9	1 750427 M91	69	1 750520 M1	65 155	1 751205 M1	45
1 750288 M1	9	1 750428 M1	69	1 750522 M91	155	1 751206 M91	45
1 750290 M1	19	1 750429 M1	69	1 750523 M1	155	1 751207 M91	47 49
1 750291 M1	19	1 750432 M1	65	1 750524 M1	65	1 751208 M1	47 49
1 750292 M1	19	1 750434 M1	73	1 750580 M1	25	1 751210 M1	47 49
1 750293 M1	9	1 750436 M1	65	1 750583 M1	25	1 751211 M1	47 49
1 750294 M91	17 19	1 750437 M1	65	1 750584 M1	25	1 751212 M91	47 49
1 750295 M91	33	1 750438 M1	65	1 750585 M1	25	1 751225 M1	49
1 750296 M1	33	1 750439 M1	73	1 750586 M91	25	1 751226 M91	47 49
1 750297 M1	33	1 750440 M1	73	1 750587 M1	25	1 751275 M1	39
1 750300 M1	33	1 750441 M91	69	1 750597 M1	133	1 751292 M1	57
1 750301 M1	9	1 750443 M1	69	1 750598 M1	133	1 751295 M91	57
1 750302 M1	33	1 750444 M91	69	1 750599 M1	133	1 751298 M1	57
1 750305 M91	33	1 750445 M1	73	1 750600 M1	133	1 751299 M91	57
1 750306 M1	27	1 750446 M1	73	1 750602 M91	77	1 751301 M92	57
1 750307 M1	27	1 750447 M91	73	1 750603 M91	77	1 751304 M1	57
1 750308 M1	27	1 750450 M1	73	1 750610 M91	77	1 751307 M91	57
1 750309 M91	27	1 750452 M91	69	1 750613 M1	77	1 751311 M1	57
1 750310 M1	27	1 750454 M91	73	1 750614 M1	77	1 751312 M1	57
1 750311 M1	27	1 750455 M1	65	1 750616 M92	77	1 751313 M1	57
1 750312 M91	27	1 750456 M1	73	1 750618 M91	77	1 751314 M91	57
1 750313 M91	27	1 750457 M1	73	1 750619 M91	77	1 751322 M1	49
1 750314 M91	3 5	1 750458 M93	73	1 750621 M91	77	1 751323 M1	49
1 750315 M91	27	1 750459 M1	73	1 750627 M1	77	1 751325 M1	49
1 750335 M1	17	1 750462 M1	65 155	1 750638 M1	79	1 751326 M91	47 49
1 750336 M1	3 5	1 750463 M91	69	1 750639 M1	79	1 751330 M1	19
		1 750464 M1	65	1 750640 M1	79	1 751334 M1	47
1 750337 M91	17	1 750465 M1	69	1 750642 M1	79 81	1 751336 M1	155
1 750338 M91	3	1 750466 M91	73	1 750650 M91	79 81	1 751338 M91	77
1 750339 M91	3	1 750467 M91	73	1 750656 M1	79 81	1 751339 M91	77
1 750340 M91	25	1 750468 M1	73	1 750657 M91	79 81	1 751340 M1	77
1 750341 M1	9	1 750469 M1	73	1 750659 M1	77	1 751341 M1	77
1 750343 M91	37	1 750470 M1	73	1 750664 M1	79	1 751344 M91	77
1 750351 M1	155	1 750471 M1	73	1 750665 M1	79	1 751353 M2	77
1 750352 M1	155	1 750472 M1	73	1 750666 M1	79	1 751355 M91	133
1 750353 M1	155	1 750473 M1	73	1 750668 M91	79	1 751365 M91	155
1 750354 M91	155	1 750474 M1	73	1 750671 M91	79	1 751367 M91	5
1 750355 M1	27	1 750477 M1	73	1 750673 M1	77	1 751383 M91	13
1 750356 M1	27	1 750478 M1	73	1 750674 M1	77	1 751387 M1	77
1 750357 M1	23 25	1 750479 M1	155	1 750678 M1	77	1 751395 M92	125
		1 750480 M1	69	1 750679 M1	77	1 751402 M1	125
1 750358 M1	53	1 750482 M1	65	1 750681 M91	77	1 751403 M1	125
1 750359 M1	27	1 750485 M1	65	1 750686 M1	77	1 751404 M1	125
1 750360 M1	27	1 750486 M1	65	1 750687 M91	79 81	1 751405 M1	125
1 750361 M1	27	1 750487 M91	73	1 750692 M91	79	1 751406 M1	125
1 750389 M1	69	1 750488 M1	65	1 750869 M1	69	1 751407 M1	125
1 750394 M1	69	1 750489 M1	65	1 751042 M91	69	1 751408 M1	125
1 750395 M1	69	1 750490 M1	65	1 751168 M1	45	1 751409 M1	125
1 750396 M1	69	1 750491 M91	65	1 751171 M91	45	1 751413 M91	79
1 750397 M1	69	1 750492 M1	65	1 751172 M91	45	1 751422 M91	79
1 750398 M1	69	1 750495 M1	69	1 751174 M1	45	1 751444 M91	9

NUMERICAL INDEX

PART NUM.	SEE PAGE	PART NUM.	SEE PAGE	PART NUM.	SEE PAGE	PART NUM.	SEE PAGE
1 751445 M91	9	1 753510 M1	153				
1 751446 M91	9	1 754021 M1	9				
1 751447 M91	9	1 754232 M91	33				
1 751448 M91	9	1 754245 M1	69				
1 751449 M91	9	1 754264 M1	73				
1 751450 M91	9	1 754683 M1	3 5				
1 751451 M91	9		25 27				
1 751473 M1	39	1 755056 M1	125				
1 751483 M1	83	1 755057 M2	125				
1 751484 M1	83	1 755059 M1	125				
1 751486 M91	83	1 755060 M1	125				
1 751488 M1	83	1 810349 M91	101 103				
1 751489 M1	83	1 810352 M91	103				
1 751491 M1	83	1 851655 M1	43				
1 751492 M1	83	1 851667 M91	95				
1 751495 M1	83	1 852643 M1	67				
1 751496 M1	83	1 883385 M1	129				
1 751497 M91	83	1 883858 M1	51				
1 751499 M1	83	1 884289 M1	123				
1 751500 M1	83	GA 1773	115 119				
1 751502 M1	83						
1 751504 M1	83						
1 751505 M91	83						
1 751506 M1	83						
1 751507 M1	83						
1 751508 M1	19						
1 751509 M1	83						
1 751524 M1	79 81						
1 751549 M91	13						
1 751604 M91	9						
1 751606 M1	77						
1 751609 M91	9						
1 751610 M91	9						
1 751611 M91	9						
1 751707 M1	83						
1 751710 M1	83						
1 751711 M1	83						
1 751713 M91	83						
1 751751 M1	83						
1 751821 M91	81						
1 751824 M91	79 81						
1 751828 M91	79						
1 751833 M1	79 81						
1 751834 M1	79 81						
1 751835 M1	79 81						
1 751836 M1	79 81						
1 751837 M1	79 81						
1 751838 M1	79 81						
1 752291 M1	17						
1 752304 M91	65						
1 752309 M1	79						
1 752311 M91	79 81						
1 752506 M1	153						
1 752893 M1	3 5						
	33						
1 752990 M1	95						
1 752991 M1	95						
1 752992 M1	95						
1 753048 M91	13						
1 753115 M1	133						
1 753116 M91	133						
1 753490 M1	133						
1 753500 M1	153						
1 753501 M1	153						
1 753504 M1	153						
1 753505 M1	153						
1 753506 M1	153						
1 753507 M1	153						
1 753508 M1	153						
1 753509 M1	153						

CYLINDER BLOCK AND TIMING GEAR COVER

F96-1



CYLINDER BLOCK AND TIMING GEAR COVER

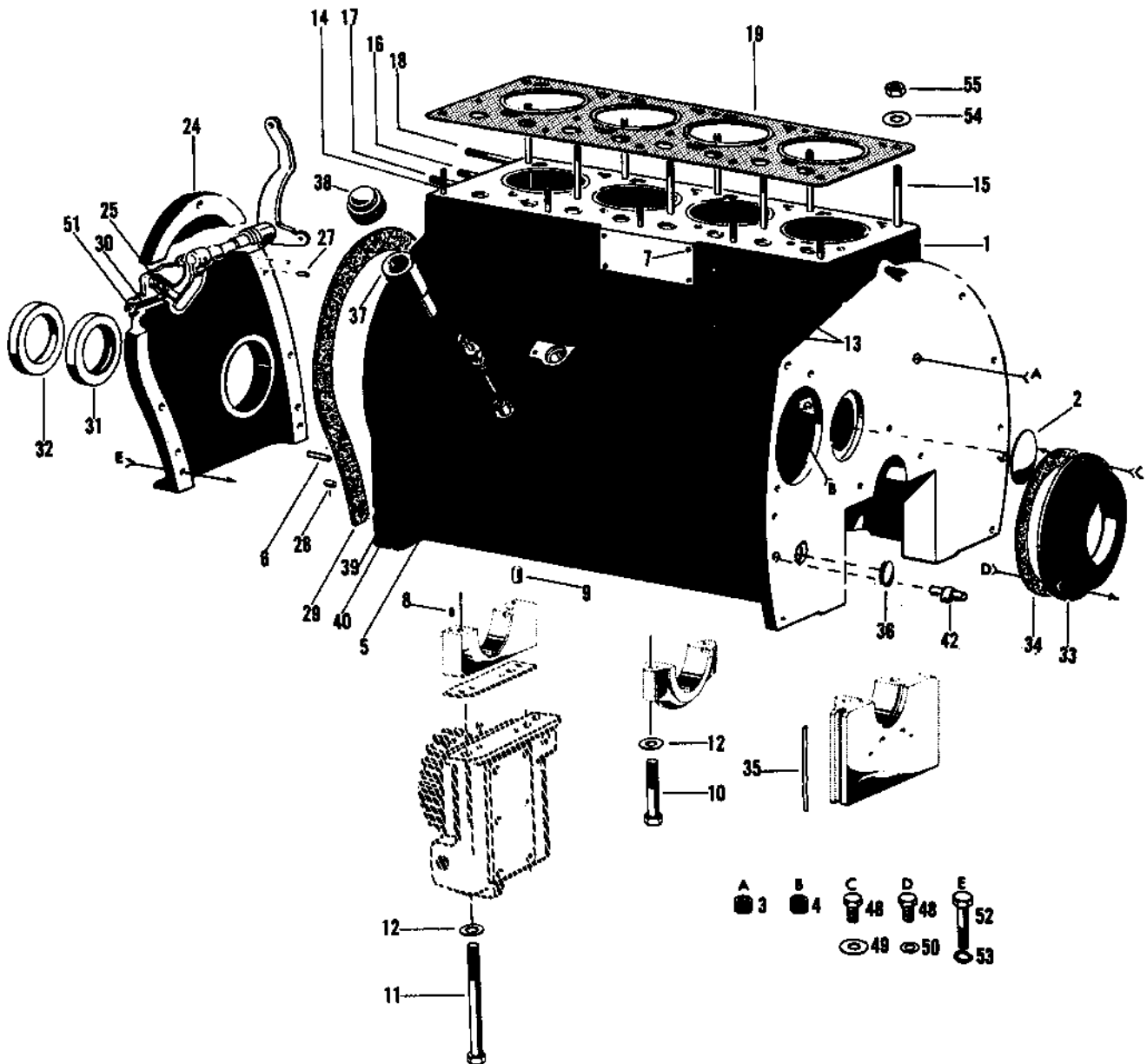
(TO 30)

Ref. No.	Part No.	Description	No. Req.
	181 462 M91	Engine Assembly.....	1
	1 750 339 M91	Block Assembly, Cylinder, Short (Incl. Stripped Block, Piston Assy, Connecting Rods & Bearings, Crankshaft & Bearings, Camshaft, Timing Gears, Oil Pump & Oil Pan).....	1
1	1 750 338 M91	Block Assembly, Cylinder, Stripped (Incl. Bearing Caps).....	1
2	19 259 X	Plug, Camshaft Hole (2-1/8" Expansion).....	1
3	1 000 148 M1	Plug, Rear Face (1/8" P.T. Allen Hd.).....	2
4	355 542 X1	Plug, Side (1/4" P.T. Ctsk. Sq. Hd.).....	1
5	17 595 A	Support, Oil Level Indicator.....	1
6	15 240 A	Pin, Crankshaft Thrust Washer (5/32 x 1/2").....	3
7	15 251 A	Pin, Name Plate (1/8 x 3/8" Escutcheon).....	4
8	760 402 M1	Pin, Front Bearing Cap (1/4 x 15/32").....	1
9	17 608 A	Dowel, Front Bearing Cap.....	1
10	21 215 A	Bolt, Rear and Center Bearing Caps (1/2 x 2-1/2" NC, Hex.).....	4
11	1 750 131 M1	Bolt, Front Bearing Cap (Also holds Oil Pump)(1/2 x 6-1/2" NC,Hex.)	2
12	1 754 683 M1	Washer, Bearing Cap Bolts (1/2" Special).....	6
13	1 958 X	Stud, Ignition Coil (1/4" NC x 7/8").....	2
14	353 964 X1	Stud, Cylinder Head (7/16" NC-NF x 1-7/8").....	5
15	1 035 877 M1	Stud, Cylinder Head (7/16" NC-NF x 4-11/16").....	8
16	15 245 A	Stud, Water Pump (3/8" NC x 1-3/8").....	1
17	1 006 690 M1	Stud, Water Pump (3/8" NC x 1-5/8").....	1
18	1 752 893 M1	Stud, Water Pump (3/8" NC x 3-3/8").....	1
19	1 750 336 M1	Gasket, Cylinder Head.....	1
24	1 750 277 M91	Cover Assembly, Timing Gears.....	1
25	1 500 071 M1	Spring, Governor Bumper.....	1
(A)	16 863 X	Rivet, Spring Retaining (1/8 x 7/16" Button Hd.).....	2
27	1 750 151 M1	Pin, Stop, Needle Bearing (1/8 x 1/4").....	1
28	191 314 M1	Pin, Timing Gear Cover (3/8 x 3/4").....	2
29	1 750 274 M1	Gasket, Timing Gear Cover.....	1
30	760 138 M1	Screw, Adjusting, Governor Bumper Spring.....	1
31	1 008 597 M1	Seal, Oil, Crankshaft, Front (2-3/16 x 3 x 1/2").....	1
32	1 008 597 M1	Seal, Dust, Crankshaft, Front (2-1/8 x 3 x 1/4" Felt).....	1
33	1 750 216 M92	Seal Assembly, Oil, Crankshaft, Rear.....	1
34	1 750 112 M1	Gasket, Rear Oil Seal Retainer.....	1
35	1 021 673 M1	Packing, Rear Bearing Cap (6').....	1
36	195 546 M1	Plug, Timing Hole (1" Button Type).....	1
37	1 750 314 M91	Pipe Assembly, Oil Filler.....	1
38	760 029 M91	Cap Assembly, Oil Filler Pipe.....	1
39	1 750 095 M1	Gauge Assembly, Oil Level Indicator.....	1
40	15 344 A	Washer, Oil Level Gauge Collar (1/4 x 5/8 x 1/8" Felt).....	1
	763 716 M1	Cock, Drain, Cylinder Block.....	1
42	180 069 M1	Pin, Cylinder Block to Transmission Case.....	2
48	353 666 X1	Bolt (1/4 x 5/8" NC, Hex.).....	5
49	355 617 X1	Washer (Upper)(1/4 x 9/16 x 1/16").....	3
50	1 002 044 M1	Washer (Lower)(1/4 x 1/2 x 1/16" Copper).....	2
51	355 564 X1	Nut (1/4" NC, Hex.).....	1
52	11 191 X	Bolt (3/8 x 1-1/8" NC, Hex.).....	6
52	15 410 X	Bolt (3/8 x 1-5/8" NC, Hex.).....	1
53	353 434 X1	Washer (3/8" Lock).....	7
54	353 757 X1	Washer (7/16" Small Flat).....	13
55	353 426 X1	Nut (7/16" NF, Hex.).....	13

Notes: (A) - Order (1) 480 791 M91, 1/4 lb. Box.

CYLINDER BLOCK AND TIMING GEAR COVER

F96-1



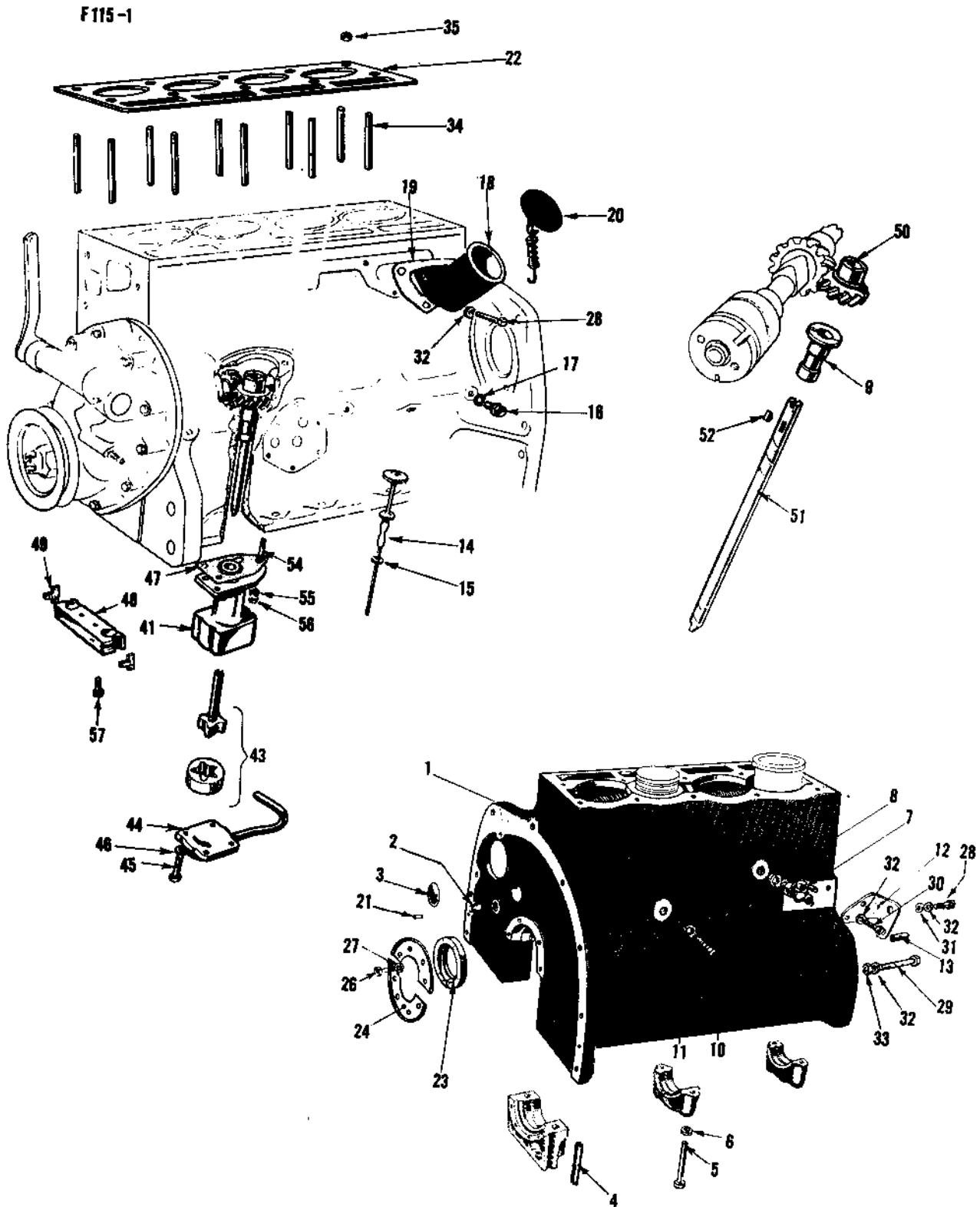
CYLINDER BLOCK AND TIMING GEAR COVER

(TO 20 AND TE 20)

Ref. No.	Part No.	Description	No. Req.
	181 807 M91	Engine Assembly (Order (1) 1750 267 M91 Head Assembly and (1) 1750 266 M91 Block Assembly).....	1
	1 750 266 M91	Block Assembly, Cylinder, Short (Incl. Stripped Block, Piston Assy, Connecting Rods & Bearings, Crankshaft & Bearings, Camshaft, Timing Gears, Oil Pump and Oil Pan).....	1
1	1 751 367 M91	Block Assembly, Cylinder, Stripped (Incl. Bearing Caps).....	1
2	19 259 X	Plug, Camshaft Hole (2-1/8" Expansion).....	1
3	1 000 148 M1	Plug, Rear Face (1/8" P.T. Allen Hd.).....	2
4	355 542 X1	Plug, Side (1/8" P.T. Ctsk. Sq. Hd.).....	1
5	17 595 A	Support, Oil Level Indicator.....	1
6	15 240 A	Pin, Crankshaft Thrust Washer (5/32 x 1/2").....	3
7	15 251 A	Pin, Name Plate (1/8 x 3/8" Escutcheon).....	4
8	760 402 M1	Pin, Front Bearing Cap (1/4 x 15/32").....	1
9	17 608 A	Dowel, Front Bearing Cap.....	1
10	21 215 A	Bolt, Rear and Center Bearing Caps (1/2 x 2-1/2" NC, Hex.).....	4
11	1 750 131 M1	Bolt, Front Bearing Cap (Also holds Oil Pump) (1/2 x 6-1/2" NC Hex.)	2
12	1 754 683 M1	Washer, Bearing Cap Bolts (1/2" Special).....	6
13	1 958 X	Stud, Ignition Coil (1/4" NC x 7/8").....	2
14	353 964 X1	Stud, Cylinder Head (7/16" NC-NF x 1-7/8").....	5
15	1 035 877 M1	Stud, Cylinder Head (7/16" NC-NF x 4-11/16").....	8
16	15 245 A	Stud, Water Pump (3/8" NC x 1-3/8").....	1
17	1 006 690 M1	Stud, Water Pump (3/8" NC x 1-5/8").....	1
18	1 752 893 M1	Stud, Water Pump (3/8" NC x 3-3/8").....	1
19	1 750 336 M1	Gasket, Cylinder Head.....	1
24	1 750 277 M91	Cover Assembly, Timing Gears.....	1
25	1 500 071 M1	Spring, Governor Bumper.....	1
(A)	16 863 X	Rivet, Spring Retaining (1/8 x 7/16" Button Hd.).....	2
27	1 750 151 M1	Pin, Stop, Needle Bearing (1/8 x 1/4").....	1
28	191 314 M1	Pin, Timing Gear Cover (3/8 x 3/4").....	2
29	1 750 274 M1	Gasket, Timing Gear Cover.....	1
30	760 138 M1	Screw, Adjusting, Governor Bumper Spring.....	1
31	1 008 597 M1	Seal, Oil, Crankshaft, Front (2-3/16 x 3 x 1/2").....	1
32 (B)		Seal, Dust, Crankshaft, Front (2-1/8 x 3 x 1/4" Felt).....	1
33	1 750 216 M92	Seal Assembly, Oil, Crankshaft, Rear.....	1
34	1 750 112 M1	Gasket, Rear Oil Seal Retainer.....	1
35	1 021 673 M1	Packing, Rear Bearing Cap (6').....	1
36	195 546 M1	Plug, Timing Hole (1" Button Type).....	1
37	1 750 314 M91	Pipe Assembly, Oil Filler.....	1
38	760 029 M91	Cap Assembly, Oil Filler Pipe.....	1
39	1 750 095 M1	Gauge Assembly, Oil Level Indicator.....	1
40	15 344 A	Washer, Oil Level Gauge Collar (1/4 x 5/8 x 1/8" Felt).....	1
	763 716 M1	Cock, Drain, Cylinder Block.....	1
42	180 069 M1	Pin, Cylinder Block to Transmission Case.....	2
48	353 666 X1	Bolt (1/4 x 5/8" NC, Hex.).....	5
49	355 617 X1	Washer (Upper) (1/4 x 9/16 x 1/16").....	3
50	1 002 044 M1	Washer (Lower) (1/4 x 1/2 x 1/16" Copper).....	2
51	355 564 X1	Nut (1/4" NC, Hex.).....	1
52	11 191 X	Bolt (3/8 x 1-1/8" NC, Hex.).....	6
52	15 410 X	Bolt (3/8 x 1-5/8" NC, Hex.).....	1
53	353 434 X1	Washer (3/8" Lock).....	7
54	353 757 X1	Washer (7/16" Small Flat).....	13
55	353 426 X1	Nut (7/16" NF, Hex.).....	13

Notes: (A) - Order (1) 480 791 M91, 1/4 lb. Box.
 (B) - For repair order 1008 597 M1 Seal.

CYLINDER BLOCK AND OIL PUMP



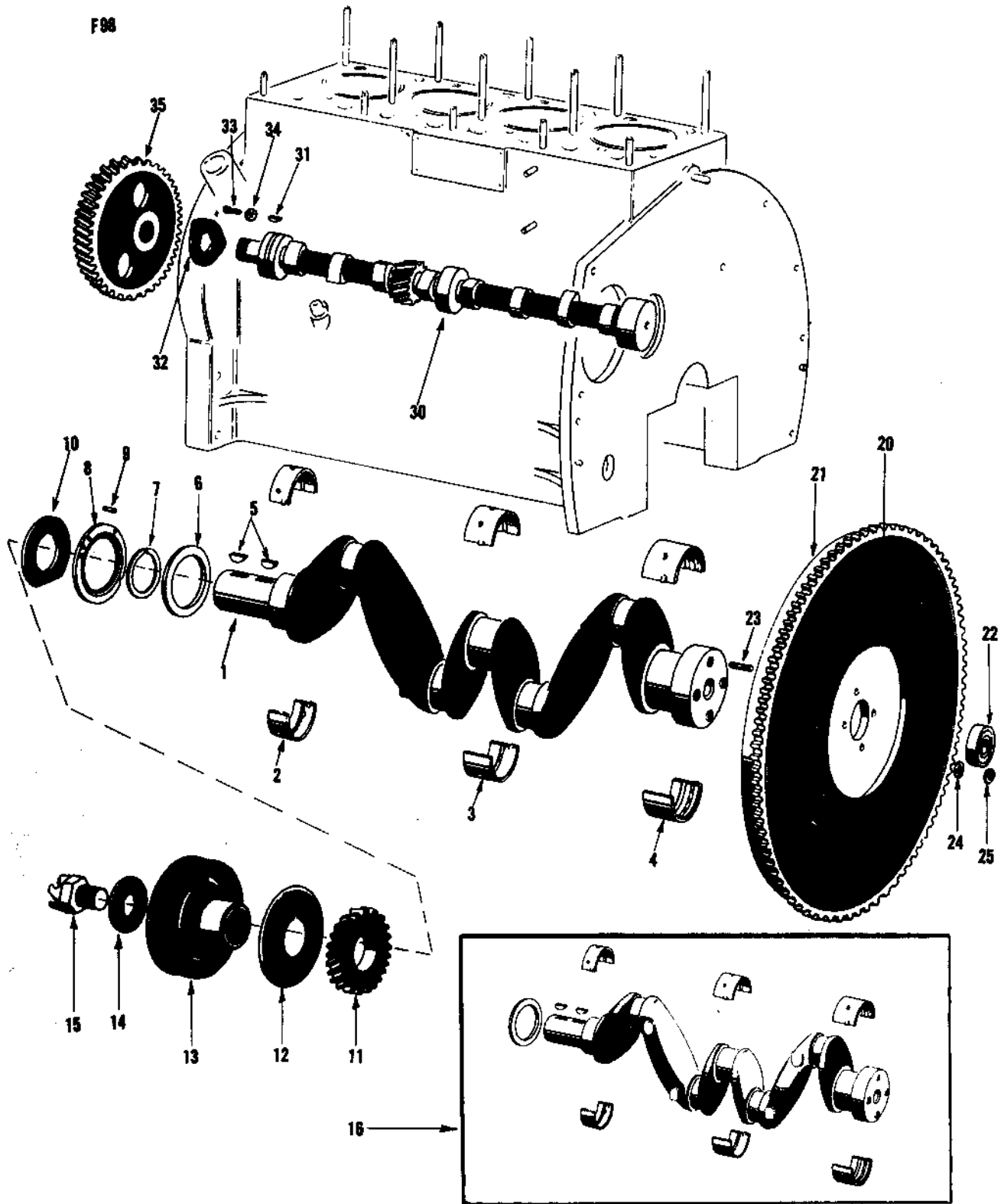
CYLINDER BLOCK AND OIL PUMP

(TE-A20)

Ref. No.	Part No.	Description	80 85	
			MM	MM
(F)	825 283 M91	Engine Assembly.....	1	-
(G)	825 487 M91	Engine Assembly.....	-	1
	825 486 M91	Engine Assembly.....	-	1
1 (A)	825 485 M91	Block Assembly, Cylinder.....	-	1
1 (B)	825 459 M91	Block Assembly, Cylinder.....	-	1
1	825 210 M91	Block Assembly, Cylinder.....	1	-
2	825 190 M1	Plug, Pipe.....	2	2
3	825 109 M1	Plug, Expansion.....	1	1
4	825 220 M1	Felt, Rear Bearing Cap (Order (1) 1021 673 M1).....	2	2
5	825 197 M1	Bolt, Bearing Caps to Block.....	6	6
6	353 439 X1	Washer (1/2" Lock).....	6	6
7	828 085 M1	Drain, Cylinder Block.....	1	1
8	825 299 M1	Gasket, Drain Cock.....	1	1
9	825 171 M1	Bushing, Oil Pump Shaft.....	1	1
10	825 205 M1	Union (Banjo Type Screw).....	1	1
11	825 293 M1	Washer (5/8 x 7/8 x 1/16" Fibre).....	x	x
11	825 294 M1	Washer (9/16 x 13/16 x 1/16" Fibre).....	x	x
12 (A)	825 408 M91	Bracket Assembly, Generator Mounting.....	-	1
12 (C)	825 373 M91	Bracket Assembly, Generator Mounting.....	1	1
12 (D)	825 173 M91	Bracket Assembly, Generator Mounting.....	1	-
13 (D)	825 665 M1	Spacer, Bracket.....	1	-
14	825 738 M91	Indicator Assembly, Oil (Dipstick).....	1	1
15	825 105 M1	Washer, Dipstick.....	1	1
16	825 734 M1	Union (Banjo Type Screw).....	1	1
17	825 747 M1	Washer, Union.....	2	2
18	825 214 M1	Filler, Oil.....	1	1
19	825 655 M1	Gasket, Oil Filler Body.....	1	1
20	825 398 M91	Cap Assembly, Filler Pipe.....	1	1
21	1 260 A	Dowel, Cylinder Block.....	2	2
22	825 836 M1	Gasket, Cylinder Head to Block.....	-	1
	825 327 M1	Gasket, Cylinder Head to Block.....	1	-
	825 384 M1	Cover, Water Pump Inlet Hole.....	-	1
	825 385 M1	Gasket, Cover.....	-	1
23	825 208 M1	Seal, Oil, Crankshaft, Rear.....	1	1
24	825 176 M1	Retainer, Oil Seal.....	2	2
26	353 665 X1	Bolt (1/4 x 1/2" NC, Hex.).....	x	x
27	353 441 X1	Washer (1/4" Lock).....	x	x
28	353 677 X1	Bolt (5/16 x 3/4" NC, Hex.).....	x	x
29 (E)	353 517 X1	Bolt (5/16 x 3/4" NF, Hex.).....	x	x
29 (D)	353 588 X1	Bolt (7/16 x 4-5/8" NF, Hex.).....	x	-
30 (E)	353 678 X1	Bolt (5/16 x 7/8" NC, Hex.).....	x	x
30 (D)	353 885 X1	Bolt (7/16 x 1-7/16" NF, Hex.).....	x	-
31	353 755 X1	Washer (5/16" Small Flat).....	x	x
31	353 757 X1	Washer (7/16" Small Flat).....	x	-
32	353 446 X1	Washer (5/16" Lock).....	x	x
32	353 432 X1	Washer (7/16" Lock).....	x	-
33	353 916 X1	Nut (5/16" NF, Hex.).....	x	x
33	353 426 X1	Nut (7/16" NF, Hex.).....	x	-
34	825 131 M1	Stud, Cylinder Head to Block.....	x	-
34	825 364 M1	Stud, Cylinder Head to Block.....	-	x
35	353 426 X1	Nut (7/16" NF, Hex.).....	x	x
41	825 494 M91	Pump Assembly, Oil.....	1	1
43	825 455 M1	Body, Oil Pump.....	1	1
44	827 501 M91	Rotor Assembly, Oil Pump.....	1	1
44	825 204 M91	Cover Assembly, Pump.....	1	1
45	353 667 X1	Bolt, Cover (1/4 x 3/4" NC, Hex.).....	4	4
46	353 441 X1	Washer (1/4" Lock).....	4	4
47	825 652 M1	Gasket, Pump to Cylinder Block.....	1	1
48	825 126 M1	Block, Sealing, Front.....	1	1
49	825 261 M1	Pad, Sealing Block.....	2	2
50	825 264 M91	Gear Assembly, Oil Pump Driving.....	1	1
51	825 263 M1	Shaft, Drive, Oil Pump.....	1	1
52	13 793 X	Key (3/32 x 1/2" Woodruff).....	1	1
54	825 666 M1	Stud, Pump to Cylinder Block.....	3	3
55	353 446 X1	Washer (5/16" Lock).....	3	3
56	353 916 X1	Nut (5/16" NF, Hex.).....	3	3
57	825 184 M1	Screw, Sealing Block.....	2	2

Notes: (A) - Used Tractor Serial Number 200001 and up.
 (B) - Used prior to Tractor Serial Number 200001.
 (C) - Used Tractor Serial Number 132206 thru 200000.
 (D) - Used prior to Tractor Serial Number 132206.
 (E) - Used Tractor Serial Number 132206 and up.
 (F) - Used Tractor Serial Number 200001 and up.
 (G) - Used prior to Tractor Serial Number 200001.

CRANKSHAFT, CAMSHAFT, FLYWHEEL, TIMING GEARS



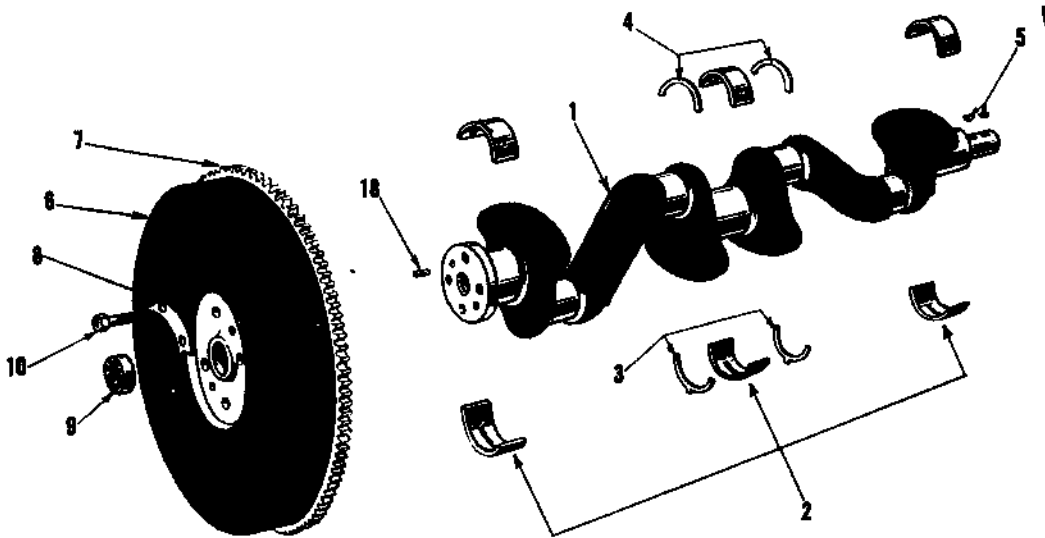
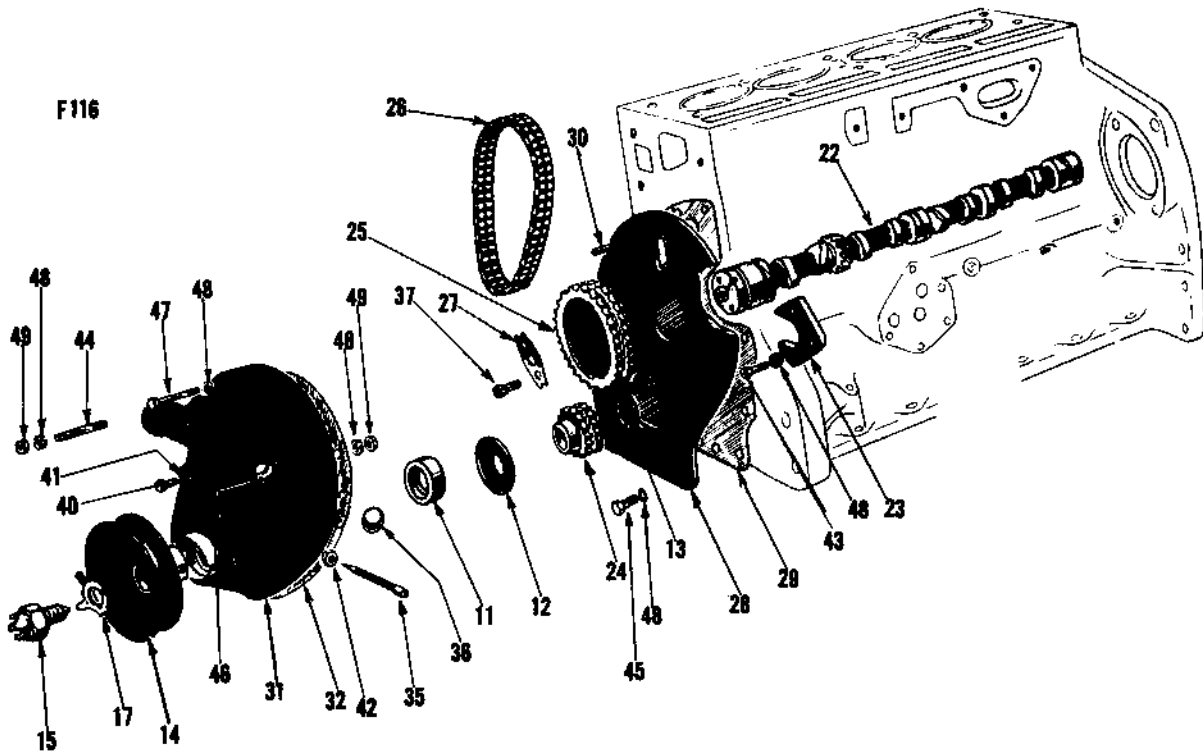
CRANKSHAFT, CAMSHAFT, FLYWHEEL, TIMING GEARS

(TO AND TE MODELS)

Ref. No.	Part No.	Description	No. Req.	
			30	20
1 (A)	1 750 169 M1	Crankshaft.....	1	-
1 (A)	1 750 280 M1	Crankshaft.....	-	1
2	1 751 444 M91	Insert Assembly, Front (Std.).....	1	1
2	1 751 445 M91	Insert Assembly, Front (-.002").....	x	x
2	1 751 446 M91	Insert Assembly, Front (-.010").....	x	x
2	1 751 447 M91	Insert Assembly, Front (-.020").....	x	x
3	1 751 604 M91	Insert Assembly, Center (Std.).....	1	1
3	1 751 609 M91	Insert Assembly, Center (-.002").....	x	x
3	1 751 610 M91	Insert Assembly, Center (-.010").....	x	x
3	1 751 611 M91	Insert Assembly, Center (-.020").....	x	x
4	1 751 448 M91	Insert Assembly, Rear (Std.).....	1	1
4	1 751 449 M91	Insert Assembly, Rear (-.002").....	x	x
4	1 751 450 M91	Insert Assembly, Rear (-.010").....	x	x
4	1 751 451 M91	Insert Assembly, Rear (-.020").....	x	x
5	15 356 A	Key, Crankshaft (1/4 x 1" Woodruff).....	2	2
6	1 750 341 M1	Washer, Thrust, Inner.....	1	-
7	15 283 A	Shim, Thrust (.002").....	x	x
7	15 284 A	Shim, Thrust (.004").....	x	x
8	15 285 A	Washer, Thrust, Outer.....	1	1
9	15 240 A	Pin, Outer Thrust Washer.....	3	3
10	1 750 279 M1	Plate, Crankshaft Thrust.....	1	1
11	1 750 284 M1	Gear, Crankshaft Timing (Std.).....	1	1
11	1 750 285 M1	Gear, Crankshaft Timing (+.001").....	x	x
11	1 750 287 M1	Gear, Crankshaft Timing (+.002").....	x	x
11	1 022 241 M1	Gear, Crankshaft Timing (+.003").....	x	x
11	1 750 286 M1	Gear, Crankshaft Timing (-.001").....	x	x
11	1 750 288 M1	Gear, Crankshaft Timing (-.002").....	x	x
11	1 022 240 M1	Gear, Crankshaft Timing (-.003") (Order 1751 354 M1 Gear).....	x	x
12	15 286 A	Washer, Oil Throw-off.....	1	1
13	1 752 223 M1	Pulley, Fan Drive.....	1	1
14	1 750 149 M1	Washer, Starting Jaw.....	1	1
15	1 754 021 M1	Jaw, Crankshaft Starting.....	1	1
16	830 633 M92	Insert Kit, Main Bearing (Std.) (Service Repair).....	1	1
20	1 750 282 M91	Flywheel Assembly.....	1	1
20	1 750 281 M91	Flywheel Assembly (Used TE 20 only).....	-	1
21	1 750 034 M1	Gear, Flywheel Starter Ring.....	1	1
22	832 960 M3	Bearing, Clutch Pilot.....	1	1
23	1 750 134 M1	Stud, Flywheel (7/16" NF x 1-1/2").....	4	4
24	359 404 X1	Washer (7/16" Lock).....	4	4
25	353 426 X1	Nut (7/16" NF, Hex.).....	4	4
30	1 750 074 M1	Camshaft (Order 836 543 M91 Camshaft Kit).....	1	-
30	1 750 293 M1	Camshaft.....	-	1
31	1 691 X	Key, Camshaft (5/32 x 5/8" Woodruff).....	1	1
32	1 500 056 M1	Plate, Thrust, Camshaft.....	1	1
33	1 750 127 M1	Bolt, Plate (5/16 x 1/2" NC, Hex., Special).....	2	2
34	22 428 X	Washer (5/16" Lock).....	2	2
35	1 750 237 M1	Gear, Camshaft Timing (Std.).....	1	1
35	1 750 206 M1	Gear, Camshaft Timing (+.001").....	x	x
35	1 750 208 M1	Gear, Camshaft Timing (+.002").....	x	x
35	1 022 243 M1	Gear, Camshaft Timing (+.003").....	x	x
35	1 750 207 M1	Gear, Camshaft Timing (-.001").....	x	x
35	1 750 209 M1	Gear, Camshaft Timing (-.002").....	x	x
35	1 022 242 M1	Gear, Camshaft Timing (-.003").....	x	x

Notes: (A) - It is recommended when ordering Crankshaft, Insert Kit 830 633 M92 also be ordered.

CRANKSHAFT, CAMSHAFT, FLYWHEEL, TIMING GEARS AND COVER



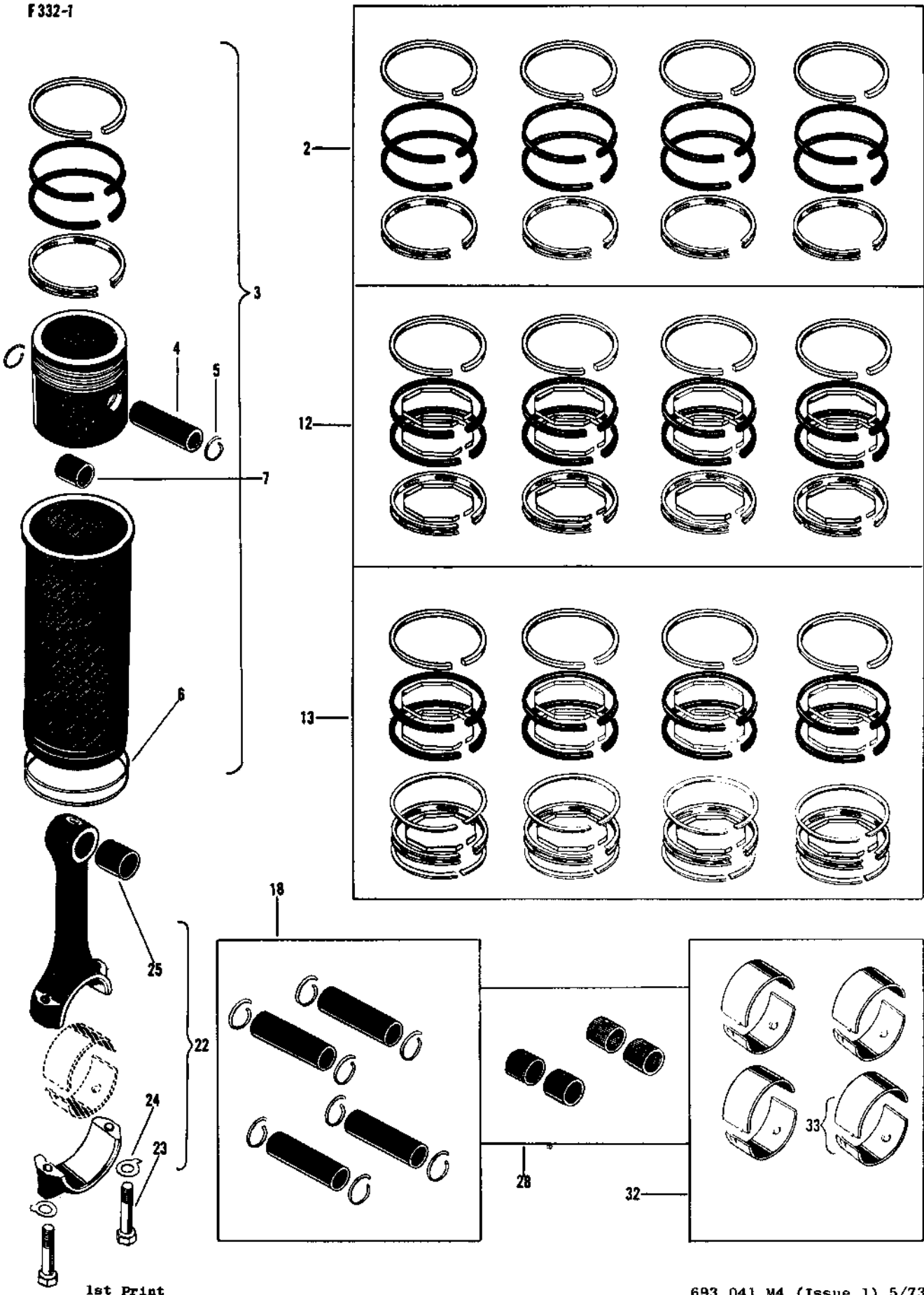
CRANKSHAFT, CAMSHAFT, FLYWHEEL, TIMING GEARS AND COVER

(TE-A20 MODELS)

Ref. No.	Part No.	Description	80 85	
			MM	MM
1	825 216 M1	Crankshaft.....	1	1
2	825 840 M1	Insert, Main Bearing (Std.).....	6	6
2	825 837 M1	Insert, Main Bearing (-.010").....	6	6
2	825 982 M1	Insert, Main Bearing (-.020").....	6	6
2	825 983 M1	Insert, Main Bearing (-.030").....	6	6
2	825 163 M1	Insert, Main Bearing (-.040").....	6	6
3	825 112 M1	Washer, Thrust, Lower (Standard).....	2	2
3 (A)	826 240 M1	Washer, Thrust, Lower (.005" Oversize) (See Note).....	x	x
4	825 111 M1	Washer, Thrust, Upper (Standard).....	2	2
4 (A)	826 239 M1	Washer, Thrust, Upper (.005" Oversize) (See Note).....	x	x
5	2 951 X	Key (3/16 x 3/4" Woodruff).....	2	2
6 (B)	825 308 M91	Flywheel Assembly.....	1	1
7	825 149 M1	Gear, Flywheel Starter Ring.....	1	1
6 (C)	825 407 M91	Flywheel Assembly.....	-	1
7	825 452 M1	Gear, Flywheel Starter Ring.....	-	1
8	825 179 M1	Plate, Locating, Flywheel Attaching.....	2	2
9	832 960 M3	Bearing, Clutch Pilot.....	1	1
10	365 781 X1	Bolt, Flywheel to Crankshaft.....	1	1
11	825 740 M1	Seal, Oil, Crankshaft, Front.....	1	1
12	825 200 M1	Deflector, Oil.....	1	1
13	825 177 M1	Shim, Crankshaft, Front (.004").....	x	x
13	825 178 M1	Shim, Crankshaft, Front (.006").....	x	x
14	825 158 M1	Pulley, Crankshaft.....	1	1
15	825 170 M1	Jaw, Starter.....	1	1
	825 103 M1	Shim, Starter Jaw.....	x	x
17	825 185 M1	Washer, Tab, Starter Jaw Lock.....	1	1
18	825 470 M1	Dowel, Crankshaft.....	1	1
22	825 142 M1	Camshaft (Lo-Lift) (Stamped 56216).....	1	-
22	825 460 M1	Camshaft (Hi-Lift) (Stamped L.O.).....	-	1
23	825 169 M1	Plate, Camshaft Locating.....	1	1
24	825 136 M1	Wheel, Crankshaft, Timing Chain.....	1	1
25	825 135 M1	Wheel, Camshaft Timing Chain.....	1	1
26	825 199 M1	Chain, Timing.....	1	1
27	825 151 M1	Plate, Lock, Wheel to Camshaft.....	1	1
28	825 167 M1	Plate, Timing Cover.....	1	1
29	825 168 M1	Gasket, Plate.....	1	1
30	825 366 M1	Dowel, Cover Locating.....	2	2
31	825 150 M1	Cover, Timing Gears.....	1	1
32	825 649 M2	Gasket, Cover.....	1	1
(B)	825 153 M1	Spring, Governor Bumper.....	1	1
(C)	825 405 M1	Spring, Governor Bumper.....	-	1
	16 863 X	Rivet, Bumper Spring (Order 480 791 M91, 1/4 lb. Box).....	2	2
35	760 138 M1	Screw, Adjusting, Governor Bumper.....	1	1
36	2 950 X	Plug, Cover.....	1	1
37	825 165 M1	Bolt, Lock Plate.....	2	2
40	825 207 M1	Bolt, Governor Shaft Locating.....	x	x
41	353 441 X1	Washer (1/4" Lock).....	x	x
42	355 564 X1	Nut (1/4" NC, Hex.).....	x	x
43	825 166 M1	Bolt, Camshaft Locating Plate.....	x	x
44	825 288 M1	Stud, Timing Cover to Block.....	x	x
45	353 677 X1	Bolt (5/16 x 3/4" NC, Hex.).....	x	x
46	353 528 X1	Bolt (5/16 x 2-1/8" NF, Hex.).....	x	x
47	354 614 X1	Bolt (5/16 x 2-3/8" NC, Hex.).....	x	x
48	353 446 X1	Washer (5/16" Lock).....	x	x
49	353 916 X1	Nut (5/16" NF, Hex.).....	x	x

- Notes: (A) - Oversize Thrust Washers were .004" originally. This has now been changed to .005".
When installing oversize Washers check stock to make sure Upper and Lower Washers are same thickness.
- (B) - Used prior to Tractor Serial Number 200001.
- (C) - Used Tractor Serial Number 200001 and up.

F332-1



1st Print

693 041 M4 (Issue 1) 5/73

PISTONS AND RINGS, CONNECTING RODS AND BEARINGS

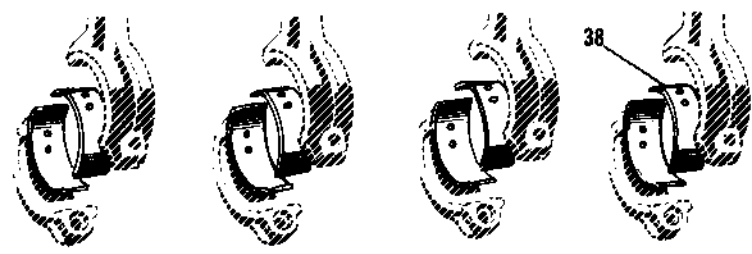
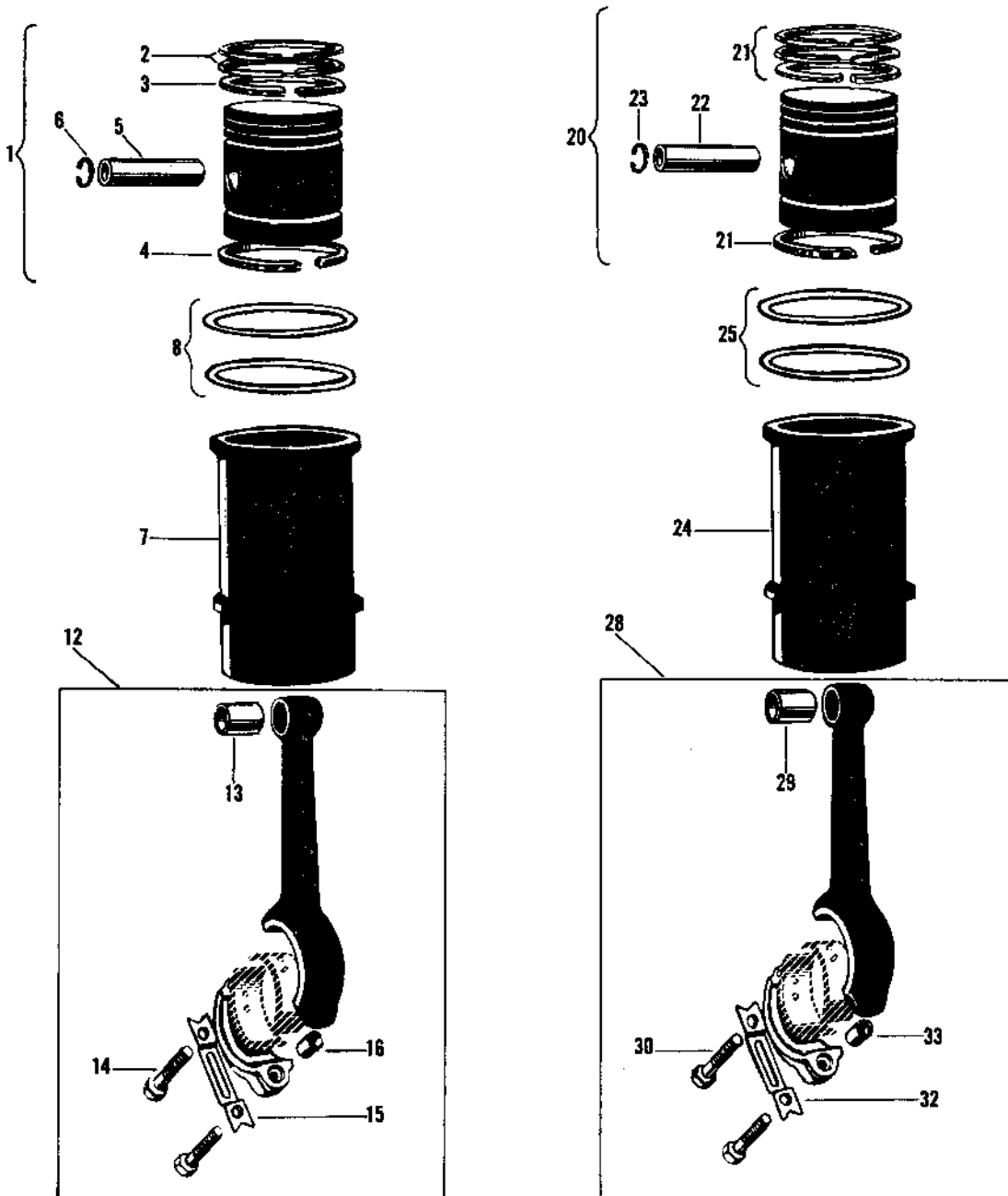
(TO AND TE MODELS)

Ref. No.	Part No.	Description	No. Req.	
			30	20
	830 641 M91	Piston and Sleeve Set (Regular Altitude).....	1	-
2 (A)	830 727 M91	Ring Set, Piston (Original Equipment).....	1	-
3	1 751 549 M91	Piston Assembly, w/Sleeve (Incl. Rings).....	4	-
4	15 798 A	Pin, Piston.....	1	-
5	15 256 A	Ring, Piston Pin Retaining.....	2	-
6	1 750 000 M1	Packing, Cylinder Sleeve.....	2	-
7	760 916 M1	Bushing, Piston Pin.....	1	-
	830 646 M91	Piston and Sleeve Set (Hi-Altitude).....	1	-
2 (A)	830 727 M91	Ring Set, Piston (Original Equipment).....	1	-
3	1 753 048 M91	Piston Assembly, w/Sleeve (Incl. Rings).....	4	-
4	15 798 A	Pin, Piston.....	1	-
5	15 256 A	Ring, Piston Pin Retaining.....	2	-
6	1 750 000 M1	Packing, Cylinder Sleeve.....	2	-
7	760 916 M1	Bushing, Piston Pin.....	1	-
	830 640 M91	Piston and Sleeve Set (Regular Altitude).....	-	1
2 (B)	840 930 M91	Ring Set, Piston (Original Equipment)(Order 840 935 M91).....	-	1
3	1 751 383 M91	Piston Assembly, w/Sleeve (Incl. Rings).....	-	4
4	15 798 A	Pin, Piston.....	-	1
5	15 256 A	Ring, Piston Pin Retaining.....	-	2
6	1 750 000 M1	Packing, Cylinder Sleeve.....	-	2
7	760 916 M1	Bushing, Piston Pin.....	-	1
12 (A)	830 779 M91	Ring Set, Piston (Re-Bore).....	1	-
13 (A)	830 512 M91	Ring Set, Piston (Re-Ring).....	1	-
13 (B)	840 935 M91	Ring Set, Piston (Re-Ring).....	-	1
18	840 712 M91	Pin Set, Piston, w/Retaining Rings (Std.).....	1	1
18	1 750 170 M1	Pin, Piston (+.003").....	x	x
22	830 644 M91	Connecting Rod Assembly.....	4	4
23	1 750 043 M1	Bolt, Connecting Rod.....	2	2
24	1 750 042 M1	Nut, Connecting Rod Bolt.....	2	2
25	760 916 M1	Bushing, Piston Pin.....	1	1
28	840 708 M91	Bushing Set, Piston Pin.....	1	1
32	830 486 M91	Insert Set, Connecting Rod Bearing (Std.).....	1	1
33	1 017 753 M91	Insert Assembly, Connecting Rod Bearing (Std.).....	4	4
32	830 508 M91	Insert Set, Connecting Rod Bearing (-.002").....	1	1
33	1 750 186 M91	Insert Assembly, Connecting Rod Bearing (-.002").....	4	4
32	830 509 M91	Insert Set, Connecting Rod Bearing (-.010").....	1	1
33	1 750 187 M91	Insert Assembly, Connecting Rod Bearing (-.010").....	4	4
32	830 510 M91	Insert Set, Connecting Rod Bearing (-.020").....	1	1
33	1 750 188 M91	Insert Assembly, Connecting Rod Bearing (-.020").....	4	4

Notes: (A) - Order 836 096 M91 Ring Kit.
 (B) - Order 836 092 M91 Ring Kit.

PISTONS AND RINGS, CONNECTING RODS AND BEARINGS

F332-51

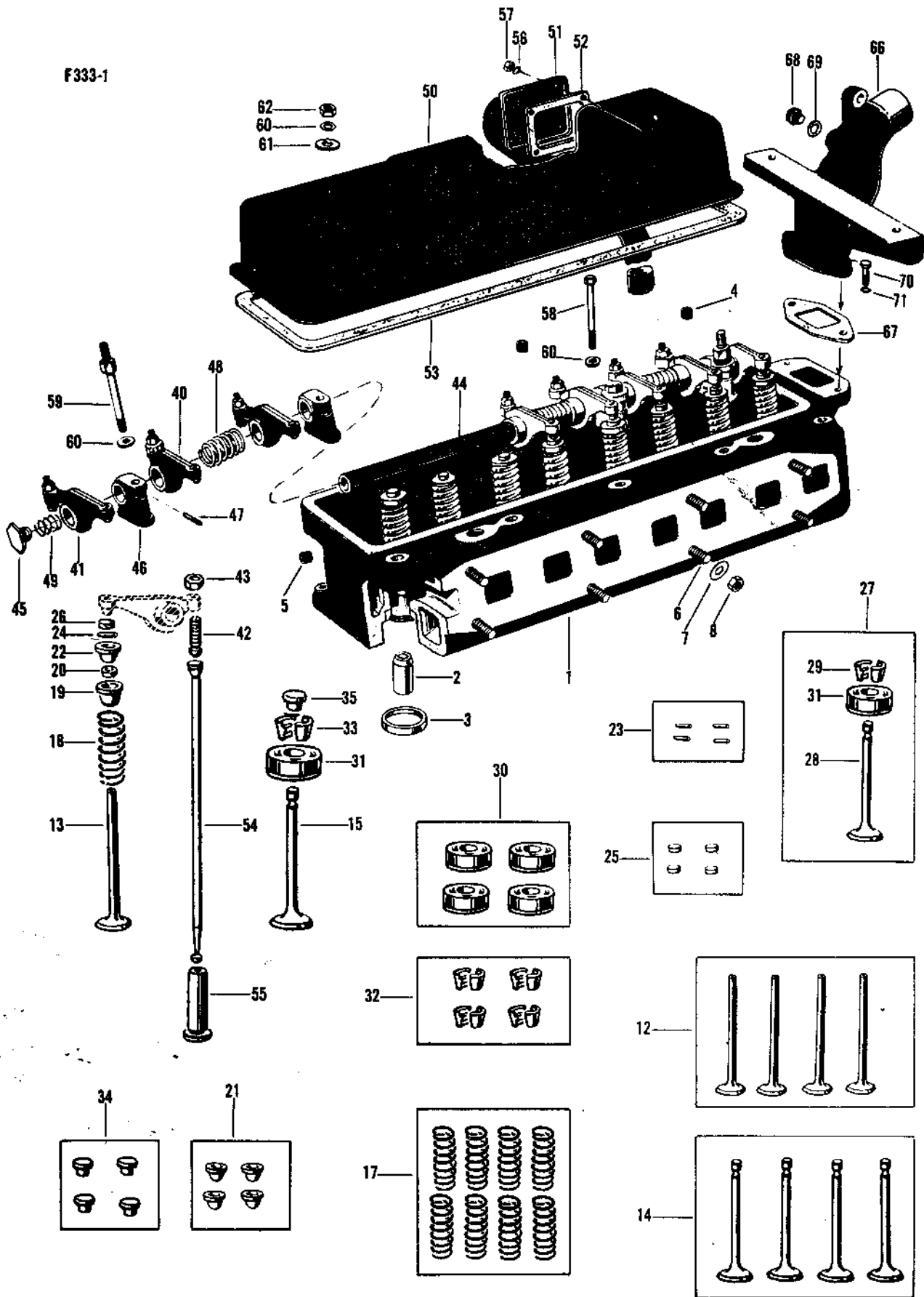


PISTONS AND RINGS, CONNECTING RODS AND BEARINGS

(TE-A20 MODELS)

Ref. No.	Part No.	Description	80 85	
			MM	MM
1	825 215 M91	Piston Assembly.....	4	-
2	825 305 M1	Ring, Compression (1st and 2nd Groove).....	2	-
3	825 306 M1	Ring, Oil Control (3rd Groove).....	1	-
4	825 307 M1	Ring, Oil Control (4th Groove).....	1	-
5	825 650 M1	Pin, Piston.....	1	-
6	825 113 M1	Ring, Piston Pin Retaining.....	2	-
7	825 138 M1	Sleeve, Piston.....	4	-
8	825 147 M1	Seal, Piston Sleeve.....	8	-
12	825 221 M91	Rod Assembly, Connecting.....	4	-
12	825 222 M91	Rod Assembly, Connecting (Heavy Duty).....	4	-
13	825 146 M1	Bushing, Piston Pin.....	1	-
14	353 545 X1	Bolt, Connecting Rod (Used w/825 221 M91).....	2	-
14	1 750 043 M1	Bolt, Connecting Rod (Used w/825 222 M91).....	2	-
15	825 140 M1	Washer, Connecting Rod Bolt.....	2	-
16	825 304 M1	Bushing, Connecting Rod Bolt.....	2	-
20	825 450 M91	Piston Assembly.....	-	4
21	825 821 M91	Ring Set, Piston (Order 836 118 M91).....	-	1
22	825 667 M1	Pin, Piston.....	-	1
23	825 113 M1	Ring, Piston Pin Retaining.....	-	2
24	893 008 M1	Sleeve, Piston.....	-	4
25	825 148 M1	Seal, Piston Sleeve (Order (1) 825 745 M1).....	-	8
28	825 456 M91	Rod Assembly, Connecting (Order 1881 934 M91).....	-	4
28	825 222 M91	Rod Assembly, Connecting (Heavy Duty).....	-	4
29	825 146 M1	Bushing, Piston Pin.....	-	1
30	353 545 X1	Bolt, Connecting Rod (Used w/825 456 M91).....	-	2
30	1 750 043 M1	Bolt, Connecting Rod (Used w/825 222 M91).....	-	2
32	825 140 M1	Washer, Connecting Rod Bolt.....	-	2
33	825 304 M1	Bushing, Connecting Rod Bolt.....	-	2
38	825 315 M1	Insert, Connecting Rod Bearing (Std.).....	8	8
38	825 316 M1	Insert, Connecting Rod Bearing (-.010") (Order 1810 084 M91).....	x	x
38	825 317 M1	Insert, Connecting Rod Bearing (-.020").....	x	x
38	825 318 M1	Insert, Connecting Rod Bearing (-.030").....	x	x
38	825 319 M1	Insert, Connecting Rod Bearing (-.040").....	x	x

CYLINDER HEAD AND COVER, VALVES AND ROCKER ARMS



CYLINDER HEAD AND COVER, VALVES AND ROCKER ARMS

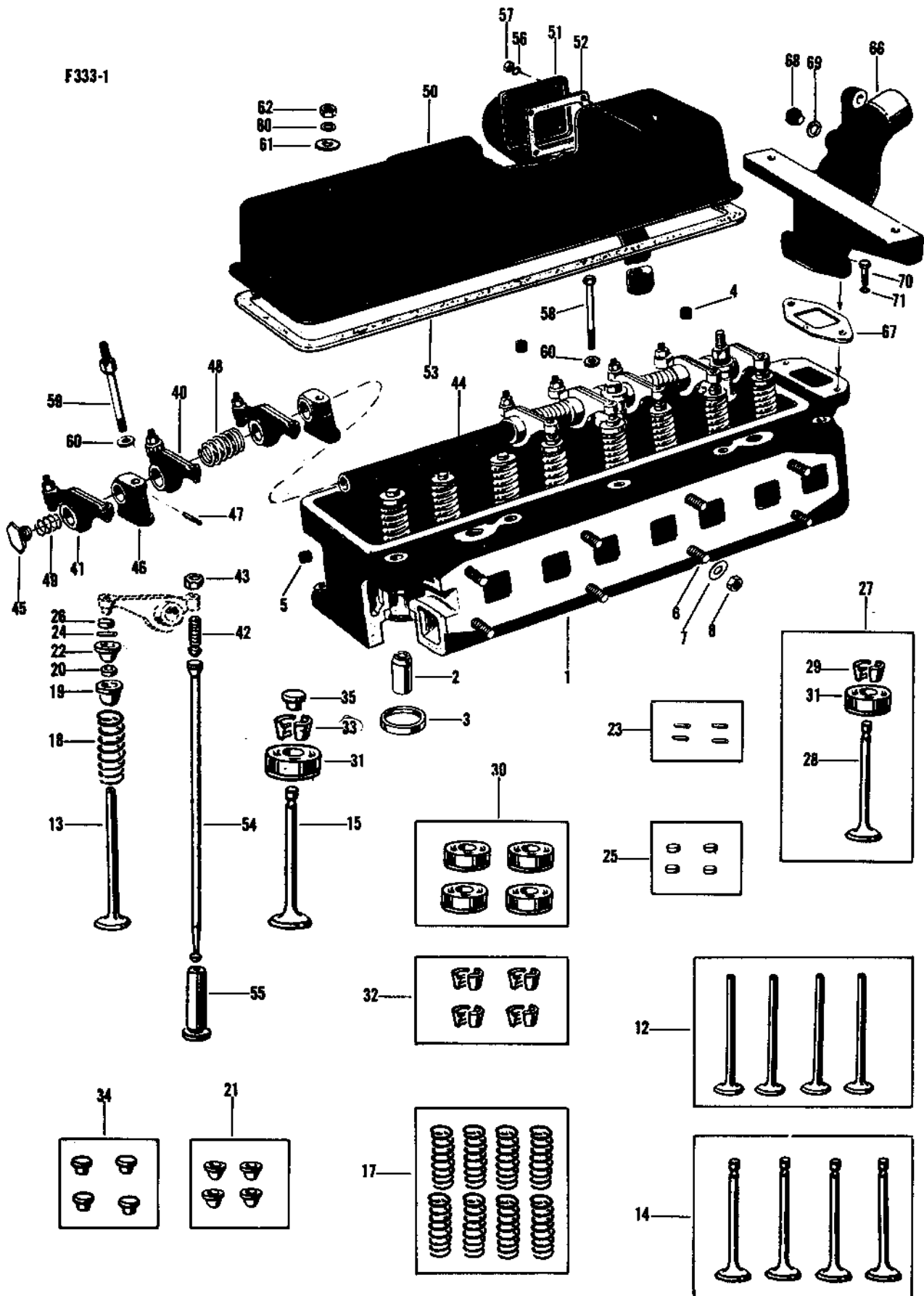
(TO-30)

Ref. No.	Part No.	Description	No. Req.
1	1 750 337 M91	Head Assembly, Cylinder.....	1
2	830 490 M91	Guide Set, Valve.....	1
3	1 750 212 M1	Insert, Exhaust Valve (+.010").....	4
3 (A)	1 750 335 M1	Insert, Exhaust Valve (+.010") (Stellite).....	4
4	22 771 X	Plug (1/2" P.T. Ctsk. Sckt. Hd.).....	2
5	355 542 X1	Plug (1/8" P.T. Ctsk. Sckt. Hd.).....	1
6	21 207 A	Stud, Manifold (3/8" NC x 1-1/2").....	8
7	353 756 X1	Washer (3/8" Small Flat).....	8
8	355 566 X1	Nut (3/8" NC, Hex., Special).....	8
12		Valve Set, Intake.....	1
13	1 750 070 M1	Valve, Intake.....	4
14	830 728 M91	Valve Set, Exhaust (Stellite Faced).....	1
14		Valve Set, Exhaust.....	1
15	1 750 072 M1	Valve, Exhaust.....	4
17		Spring Set, Valve.....	1
18	21 176 A	Spring, Valve.....	8
19	1 750 061 M1	Guard, Oil, Intake Valve.....	4
20	1 750 062 M1	Gasket, Oil Guard.....	4
21	830 703 M91	Retainer Set, Intake Valve Spring.....	1
22		Retainer, Intake Valve Spring (Order 830 703 M91).....	4
23		Pin Set, Retainer Lock.....	1
24	18 291 A	Pin, Retainer.....	4
25	830 704 M91	Cap Kit, Intake Valve Stem.....	1
26		Cap, Intake Valve Stem (Order 830 704 M91).....	4
27		Cap Kit, Roto, Exhaust Valve Fix.....	1
28	1 750 072 M1	Valve, Exhaust.....	4
29	1 004 512 M1	Lock, Exhaust Valve.....	8
30	835 983 M91	Cap Set, Roto.....	1
31		Cap Assembly, Roto (Order 835 983 M91).....	4
32	841 370 M91	Lock Set, Exhaust Valve.....	1
33	1 004 512 M1	Lock, Exhaust Valve.....	8
34	830 705 M91	Cap Set, Exhaust Valve Stem.....	1
35		Cap, Exhaust Valve Stem (Order 830 705 M91).....	4
40	1 750 066 M91	Arm Assembly, Rocker, Left Hand (Incl. Items 42 and 43).....	4
41	1 750 067 M91	Arm Assembly, Rocker, Right Hand.....	4
42	1 005 935 M1	Screw, Adjusting.....	1
43	353 916 X1	Nut, Lock, Adjusting Screw (5/16" NF, Hex.).....	1
44	1 750 294 M91	Shaft Assembly, Rocker Arm.....	1
45	1 752 291 M1	Plug, Oil, Shaft End.....	2
46	1 750 055 M1	Support, Rocker Shaft.....	4
47	1 750 120 M1	Pin, Support (5/32 x 5/8" Groove).....	1
48	1 750 056 M1	Spring, Rocker Arm Shaft, Short.....	2
49	1 750 057 M1	Spring, Rocker Arm Shaft, Long.....	3
50	1 750 011 M91	Cover Assembly, Cylinder Head.....	1
51	1 750 010 M91	Tube Assembly, Cover Vent.....	1
52	1 750 006 M1	Gasket, Vent Cover.....	1
53	1 750 002 M1	Gasket, Cylinder Head Cover.....	1
54	1 750 058 M1	Rod, Push.....	8
55	1 750 111 M1	Tappet, Valve.....	8
56	353 441 X1	Washer (1/4" Lock).....	4
57	355 564 X1	Nut (1/4" NC, Hex.).....	4
58	353 897 X1	Bolt (3/8 x 2" NC, Hex.).....	2
59	1 750 068 M1	Stud (3/8" NC x 3-13/32").....	2
60	353 756 X1	Washer (3/8" Small Flat).....	6
61	11 277 X	Washer (3/8 x 5/8 x 3/32" Copper Asbestos).....	2
62	355 566 X1	Nut (3/8" NC, Hex.).....	2
66	181 635 M1	Elbow, Water Outlet.....	1
67	181 528 M1	Gasket, Outlet Elbow.....	1
68	181 529 M1	Plug (5/8" NF, Hex., Special).....	1
69	181 530 M1	Gasket, Plug (5/8 x 15/16 x 1/32").....	1
70	353 691 X1	Bolt (3/8 x 1" NC, Hex.).....	2
71	353 434 X1	Washer (3/8" Lock).....	2

Notes: (A) - Not part of Cylinder Head Assembly. Must be ordered as separate item.

CYLINDER HEAD AND COVER, VALVES AND ROCKER ARMS

F333-1



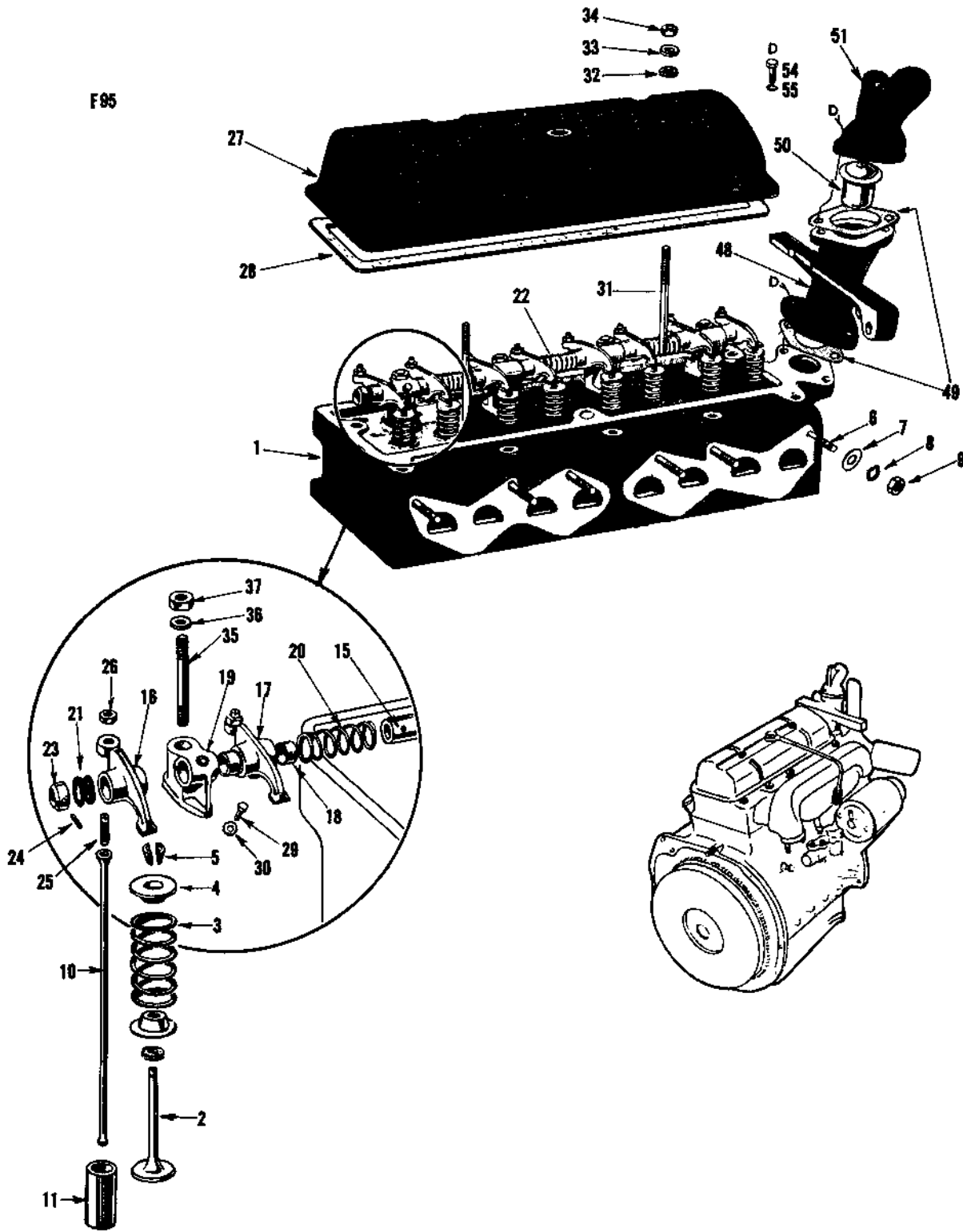
CYLINDER HEAD AND COVER, VALVES AND ROCKER ARMS

(TO 20 AND TE 20)

Ref. No.	Part No.	Description	No. Req.
	1 750 267 M91	Head Assembly, Cylinder (Complete).....	1
1	1 750 268 M91	Head Assembly, Cylinder.....	1
2	830 490 M91	Guide Set, Valve.....	1
3	1 750 260 M1	Insert, Exhaust Valve (+.010").....	4
3 (A)	1 751 330 M1	Insert, Exhaust Valve (+.020").....	4
4	355 543 X1	Plug (3/4" P.T. Ctsk. Sckt. Hd.).....	2
5	355 542 X1	Plug (1/8" P.T. Ctsk. Sckt. Hd.).....	1
6	21 207 A	Stud, Manifold (3/8" NC x 1-1/2").....	8
7	353 756 X1	Washer (3/8" Small Flat).....	8
8	355 566 X1	Nut (3/8" NC, Hex., Special).....	8
12	830 724 M91	Valve Set, Intake (Order (4) 1751 518 M1).....	1
13	830 726 M91	Valve Set, Exhaust (Stellite Faced)(Order (4) 1751 519 M1).....	1
14		Valve Set, Exhaust (Order (4) 1751 508 M1).....	1
15	1 751 508 M1	Valve, Exhaust.....	4
17		Spring Set, Valve (Order (8) 21 176 A).....	1
18	21 176 A	Spring, Valve.....	8
19	1 750 061 M1	Guard, Oil, Intake Valve.....	4
20	1 750 062 M1	Gasket, Oil Guard.....	4
21	830 703 M91	Retainer Set, Intake Valve Spring.....	1
22		Retainer, Intake Valve Spring (Order 830 703 M91).....	4
23		Pin Set, Retainer Lock (Order (4) 18 291 A).....	1
24	18 291 A	Pin, Retainer.....	4
25	830 704 M91	Cap Kit, Intake Valve Stem.....	1
26		Cap, Intake Valve Stem (Order 830 703 M91).....	4
27	830 649 M91	Cap Kit, Roto, Exhaust Valve Fix.....	1
28	1 751 508 M1	Valve, Exhaust.....	4
29	1 004 512 M1	Lock, Exhaust Valve.....	8
30	840 873 M91	Cap Set, Roto (Order 835 983 M91 Cap Kit).....	1
31	1 004 514 M91	Cap Assembly, Roto (Order 835 983 M91 Cap Kit).....	4
32		Lock Set, Exhaust Valve (Order (8) 1004 512 M1).....	1
33	1 004 512 M1	Lock, Exhaust Valve.....	8
40	1 750 066 M91	Arm Assembly, Rocker, Left Hand (Incl. Items 42 and 43).....	4
41	1 750 067 M91	Arm Assembly, Rocker, Right Hand.....	4
42	1 005 935 M1	Screw, Adjusting.....	1
43	353 916 X1	Nut, Lock, Adjusting Screw (5/16" NF, Hex.).....	1
44	1 750 294 M91	Shaft Assembly, Rocker Arm.....	1
45 (B)	1 750 291 M1	Plug, Oil, Shaft End (Threaded).....	2
45 (C)	1 750 292 M1	Plug, Oil, Shaft End (Plain).....	2
46	1 750 055 M1	Support, Rocker Shaft.....	4
47	1 750 120 M1	Pin, Support (5/32 x 5/8" Groove).....	1
48	1 750 056 M1	Spring, Rocker Arm Shaft, Short.....	2
49	1 750 057 M1	Spring, Rocker Arm Shaft, Long.....	3
50	1 750 011 M91	Cover Assembly, Cylinder Head.....	1
51	1 750 010 M91	Tube Assembly, Cover Vent.....	1
52	1 750 006 M1	Gasket, Vent Cover.....	1
53	1 750 002 M1	Gasket, Cylinder Head Cover.....	1
54	1 750 058 M1	Rod, Push.....	8
55	1 750 111 M1	Tappet, Valve.....	8
56	353 441 X1	Washer (1/4" Lock).....	4
57	355 564 X1	Nut (1/4" NC, Hex.).....	4
58	353 897 X1	Bolt (3/8 x 2" NC, Hex.).....	2
59 (D)	1 750 068 M1	Stud (3/8" NC x 3-13/32").....	2
59 (E)	1 750 290 M1	Stud (3/8" NC x 3-7/8").....	2
60	353 756 X1	Washer (3/8" Small Flat).....	6
61	11 277 X	Washer (3/8 x 5/8 x 3/32" Copper Asbestos).....	2
62	355 566 X1	Nut (3/8" NC, Hex.).....	2
66	181 635 M1	Elbow, Water Outlet.....	1
67	181 528 M1	Gasket, Outlet Elbow.....	1
68	181 529 M1	Plug (5/8" NF, Hex., Special).....	1
69	181 530 M1	Gasket, Plug (5/8 x 15/16 x 1/32").....	1
70	353 691 X1	Bolt (3/8 x 1" NC, Hex.).....	2
71	353 434 X1	Washer (3/8" Lock).....	2

Notes: (A) - Not part of Cylinder Head Assembly. Must be ordered as separate item.
 (B) - Used Tractor Serial Number (TE 20) 36574 and up.
 (C) - Used prior to Tractor Serial Number (TE 20) 36574.
 (D) - Used Tractor Serial Number 158787 and up.
 (E) - Used prior to Tractor Serial Number 158787.

CYLINDER HEAD AND COVER, VALVES AND ROCKER ARMS



CYLINDER HEAD AND COVER, VALVES AND ROCKER ARMS

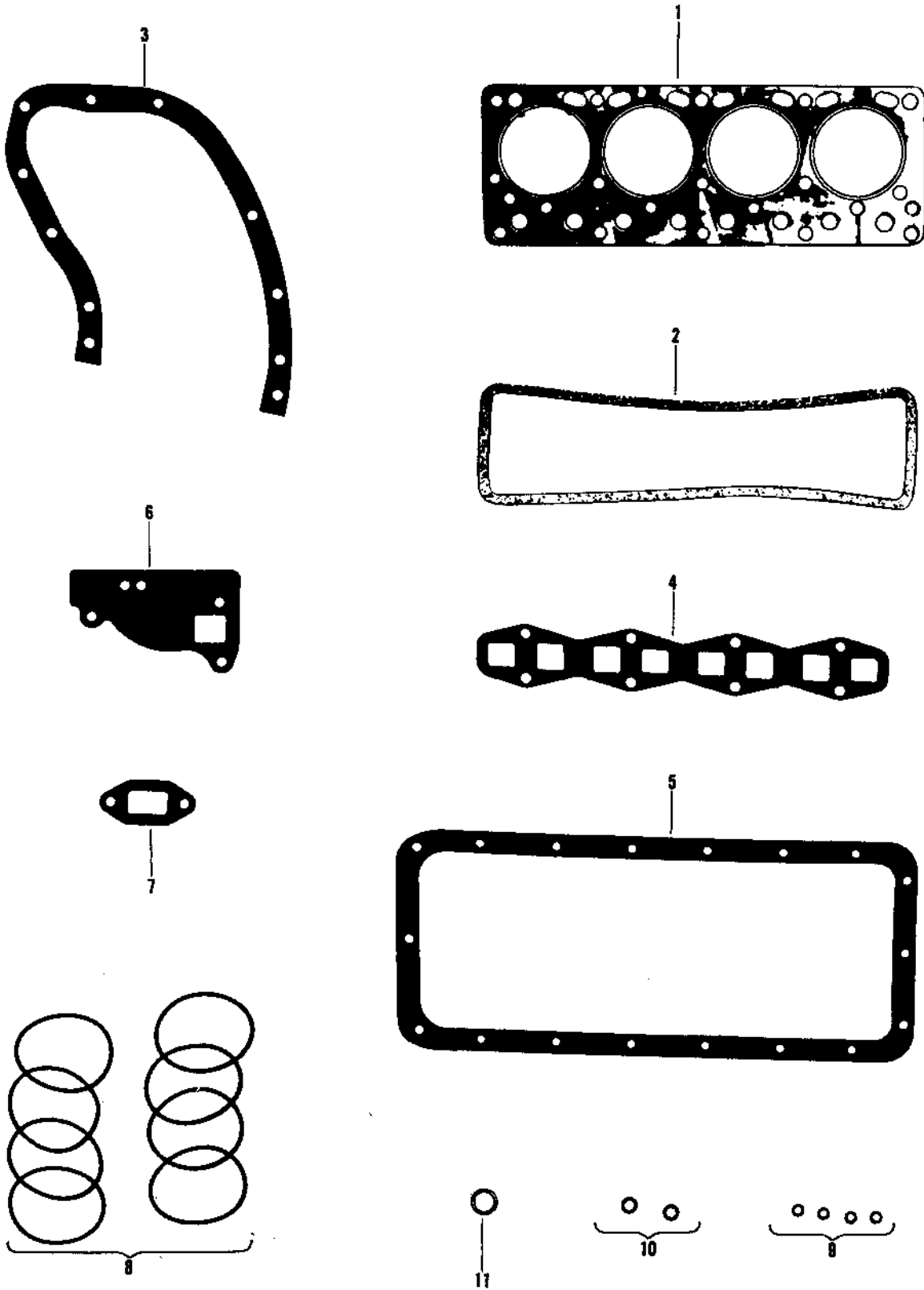
(TE-A20)

Ref. No.	Part No.	Description	80 85	
			MM	MM
1	825 461 M91	Head Assembly, Cylinder.....	-	1
1	825 469 M91	Head Assembly, Cylinder.....	1	-
	825 399 M1	Insert, Exhaust Valve.....	-	1
	825 396 M1	Insert, Exhaust Valve.....	1	-
	825 259 M1	Guide, Valve.....	8	8
	825 290 M1	Plug (1" Expansion).....	1	1
(A)	825 188 M1	Plug (1-1/4" Expansion).....	-	1
(B)	825 102 M1	Plug (1-3/4" Expansion).....	1	1
2	825 369 M1	Valve, Exhaust.....	-	4
2	825 651 M1	Valve, Exhaust.....	4	-
2	825 388 M1	Valve, Intake.....	4	4
3	825 186 M1	Spring, Valve.....	8	8
4	825 257 M1	Collar, Valve Spring.....	8	8
5	825 258 M1	Retainer, Valve Spring.....	16	16
6	891 933 M1	Stud, Manifold.....	10	10
7	353 756 X1	Washer (3/8" Small Flat).....	10	10
8	353 434 X1	Washer (3/8" Lock).....	10	10
9	825 187 M1	Nut, Manifold Stud.....	10	10
10	825 400 M1	Rod, Valve Push.....	-	8
10	825 325 M1	Rod, Valve Push.....	8	-
11	825 209 M1	Tappet, Valve.....	8	8
15	825 213 M2	Shaft, Rocker Arm.....	1	1
16	825 392 M91	Arm Assembly, Rocker, Left Hand (Order 1881 937 M91).....	4	4
17	825 393 M91	Arm Assembly, Rocker, Right Hand (Order 1881 938 M91).....	4	4
18	825 108 M1	Bushing, Rocker Arm.....	2	2
19	827 935 M1	Support, Rockershaft (Drilled).....	1	1
19	827 936 M1	Support, Rockershaft (Plain).....	3	3
20	890 461 M1	Spring, Rockershaft, Inner (Order 1884 127 M1).....	2	2
21	825 110 M1	Spring, Rockershaft, Outer.....	2	2
22	890 462 M1	Spring, Rockershaft, Center.....	1	1
23	825 314 M1	Collar, Retainer, Rockershaft, End.....	2	2
24	354 900 X1	Pin, Collar.....	2	2
25	826 120 M1	Screw, Adjustment, Rocker Arm.....	8	8
26	353 917 X1	Nut, Lock, Adjustment Screw.....	8	8
27	825 134 M91	Cover Assembly, Cylinder Head.....	1	1
28	829 029 M1	Gasket, Cover.....	1	1
29	825 107 M1	Bolt, Rocker Support Locking.....	x	x
30	825 125 M1	Washer, Locking Bolt.....	x	x
	825 298 M1	Washer, Oil Feed, Rocker.....	x	x
31	825 133 M1	Stud, Cylinder Head Cover.....	x	x
32	825 296 M1	Washer, Cover Stud (Fibre).....	x	x
33	353 756 X1	Washer (5/16" Small Flat).....	x	x
34	353 916 X1	Nut (5/16" NF, Hex.).....	x	x
35	825 130 M2	Stud, Rocker Support (3/8" NF x 3-1/16").....	x	x
36	353 434 X1	Washer (3/8" Lock).....	x	x
37	353 431 X1	Nut (3/8" NF, Hex.).....	x	x
	181 851 M91	Rotocap Kit, Exhaust Valve.....	1	1
	181 849 M1	Spring, Valve.....	4	4
(C)	181 850 M91	Rotocap Assembly.....	4	4
	825 483 M91	Decarbonizing Set.....	-	1
	825 482 M91	Decarbonizing Set.....	1	-
	825 389 M91	Tube Assembly, Water, Combustion Head.....	-	1
	825 390 M1	Plate, Cover, Water Tube, Rear.....	-	1
	825 391 M1	Gasket, Cover Plate.....	-	1
	825 368 M1	Plate, Splash, Combustion Head.....	-	1
48	825 192 M1	Body, Thermostat.....	1	-
48 (A)	825 453 M1	Body, Thermostat.....	-	1
48 (B)	825 451 M1	Body, Thermostat.....	-	1
49	825 659 M1	Gasket, Thermostat Body.....	2	2
50	825 395 M1	Thermostat.....	1	1
51	825 193 M1	Elbow, Water Outlet.....	1	1
	181 529 M1	Plug, Elbow.....	1	1
	181 530 M1	Gasket, Plug.....	1	1
	825 684 M1	Hose, Water By-Pass.....	1	1
	364 125 X1	Clip, Hose.....	1	1
54	353 678 X1	Bolt (5/16 x 7/8" NC, Hex.).....	1	1
55	353 446 X1	Washer (5/16" Lock).....	1	1

Notes: (A) - Used Tractor Serial Number 200001 and up.
(B) - Used prior to Tractor Serial Number 200001.
(C) - Order (1) 825 003 M1, (2) 825 194 M2, (1) 825 836 M1 and (1) 829 029 M1.

ENGINE GASKET

F333-51



ENGINE GASKET

(TO AND TE MODELS)

<u>Ref.</u> <u>No.</u>	<u>Part No.</u>	<u>Description</u>	<u>No.</u> <u>Req.</u>
(A)	830 631 M91	Gasket Kit, Engine Overhaul.....	1
1	1 750 336 M1	Gasket, Cylinder Head.....	1
2	1 750 002 M1	Gasket, Cylinder Head Cover.....	1
3	1 750 274 M1	Gasket, Timing Gear Cover.....	1
4	1 750 045 M1	Gasket, Manifold.....	1
5	1 750 024 M1	Gasket, Oil Pan.....	1
6	1 750 077 M1	Gasket, Water Pump.....	1
7	181 528 M1	Gasket, Water Outlet Elbow.....	1
8	1 750 000 M1	Seal, Cylinder Liner (Piston Sleeve).....	8
9	1 750 062 M1	Seal, Oil, Intake Valve Stem.....	4
10	11 277 X	Seal, Cylinder Head Cover.....	2
11	1 750 357 M1	Seal, Oil Pan Drain Plug.....	1

Notes: (A) -- Order (1) 836 289 M91 Oil Pan Gasket Set, (1) 836 426 M91 Valve Grind Gasket Set and (1) 836 427 M91 Front End Gasket Set.

OIL PUMP, OIL PAN, OIL FILTER

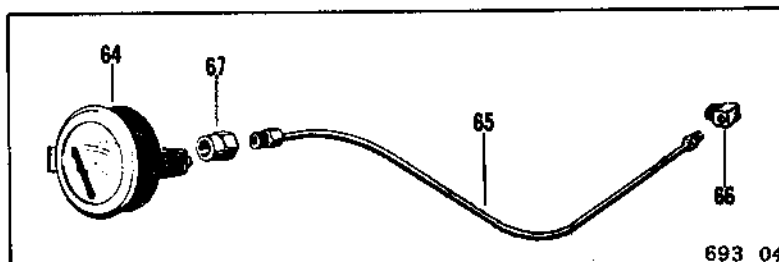
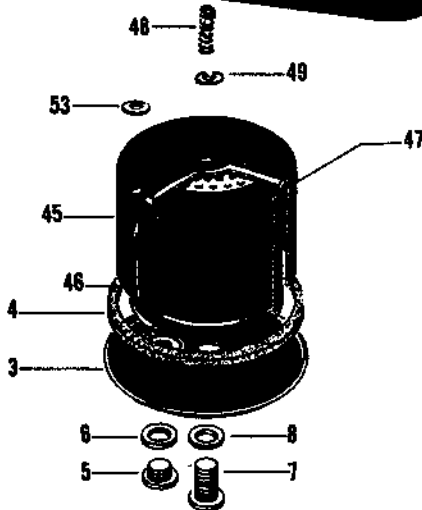
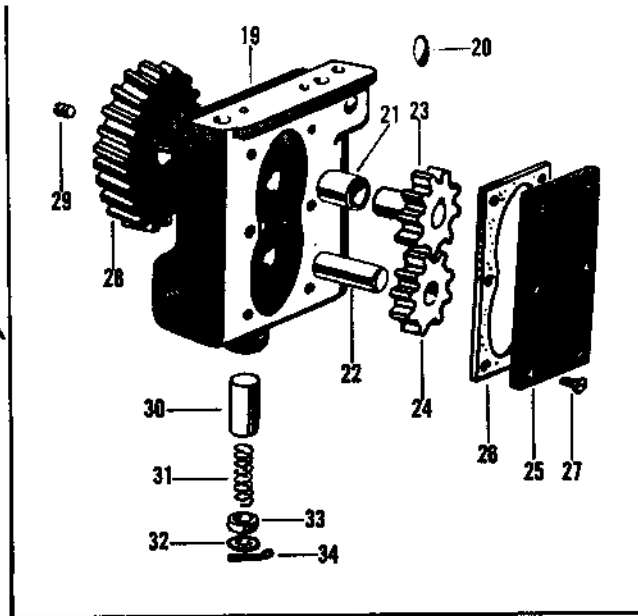
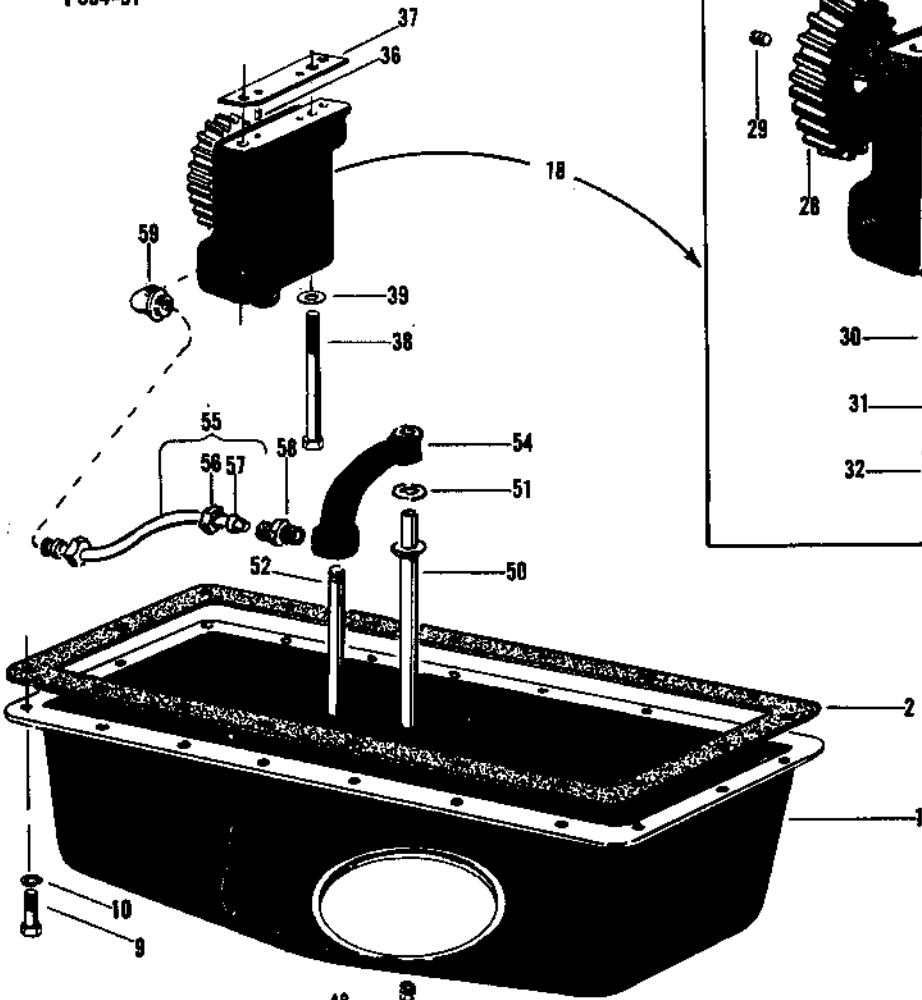
(TO-30)

Ref. No.	Part No.	Description	No. Req.
1	1 750 340 M91	Pan Assembly, Oil.....	1
2	1 750 024 M1	Gasket, Oil Pan to Block.....	1
3	1 750 273 M1	Plug, Drain, Oil Pan.....	1
4	1 750 357 M1	Gasket, Drain Plug.....	1
5	1 750 094 M91	Strainer Assembly, Oil.....	1
6	1 750 096 M91	Support Assembly, Oil Strainer.....	1
7	1 750 139 M1	Nut, Support Tube.....	1
8	1 750 140 M1	Sleeve, Support Tube.....	1
9	1 750 147 M1	Elbow, Oil Strainer Tube.....	1
10	354 061 X1	Cotter Pin (1/8 x 1-1/4").....	1
11	1 750 130 M91	Bolt Assembly (1/4 x 1/2" NC, Hex.).....	1
12	353 677 X1	Bolt, Oil Pan (5/16 x 3/4" NC, Hex.).....	18
13	353 446 X1	Washer (5/16" Lock).....	18
18	1 750 239 M91	Pump Assembly, Oil.....	1
19	1 750 214 M91	Body Assembly, Oil Pump.....	1
20	19 454 X	Plug (1/2" Expansion).....	3
21 (A)	760 195 M1	Bushing.....	2
22 (A)	1 750 110 M1	Stud, Idler Gear.....	1
23 (A)	1 750 090 M91	Gear Assembly, Oil Pump, Lead (Order 1028 737 M91).....	1
24 (A)	1 500 015 M1	Gear, Oil Pump, Follow.....	1
25	1 750 085 M1	Cover, Oil Pump.....	1
26 (A)	1 750 087 M1	Gasket, Oil Pump Cover.....	1
27	14 276 X	Screw, Cover (1/4 x 5/8" NC, Flat Hd.).....	6
28 (A)	1 750 052 M1	Gear, Oil Pump, Driven.....	1
29 (A)	1 750 126 M1	Screw, Lock, Driven Gear (1/4 x 5/16" NC, Set).....	1
30 (A)	760 156 M1	Valve, Relief, Oil Pressure (Order 15 322A).....	1
31 (A)	21 195 A	Spring, Oil Pressure Regulating.....	1
32	1 009 061 M1	Washer, Oil Pressure Adjusting.....	x
33 (A)	760 159 M1	Retainer, Regulating Spring.....	1
34 (A)	354 061 X1	Cotter Pin (1/8 x 1-1/4").....	1
	835 643 M91	Repair Kit, Oil Pump (Incl. all items marked "A").....	1
36	1 005 960 M1	Pin, Pump to Bearing Cap.....	2
37	1 750 088 M1	Shim, Oil Pump to Bearing Cap.....	x
38	1 750 131 M1	Bolt, Oil Pump (1/2 x 6-1/2" NC, Hex.).....	2
39	1 754 683 M1	Washer (1/2" Special).....	2
(B)	181 722 M91	Filter Assembly, Oil (See Note).....	1
45	181 718 M1	Body, Oil Filter.....	1
	181 719 M1	Ring, Reinforcement.....	1
	1 014 219 M92	Element Kit, Oil Filter (Pkg. of 3).....	1
48		Element, Oil Filter (Order 1014 219 M92).....	1
49	1 750 580 M1	Gasket, Filter Cover (Order 1028 283 M1).....	1
50	1 750 587 M1	Gasket, Element Ends.....	2
51	181 729 M91	Cover Assembly, Filter.....	1
52	181 730 M1	Bolt, Cover.....	1
53	1 006 594 M1	Gasket, Cover Bolt.....	1
54	181 720 M1	Tube, Oil Filter, Center.....	1
55	1 008 251 M1	Washer, Center Tube.....	1
56	181 728 M1	Spacer, Center Tube.....	1
57	181 731 M1	Gasket, Body to Base.....	1
58 (B)	181 726 M1	Base, Oil Filter (See Note).....	1
59	353 677 X1	Bolt, Body to Base (5/16 x 3/4" NC, Hex.).....	4
60	195 549 M1	Washer (5/16" Lock).....	4
61	181 725 M1	Gasket, Base to Block.....	1
62	353 679 X1	Bolt, Base to Block (5/16 x 1" NC, Hex.).....	2
63	353 434 X1	Washer (5/16" Lock).....	2
68	180 100 M91	Gauge Assembly, Oil Pressure (Order 506 902 M92).....	1
69	181 727 M91	Tube Assembly, Oil Pressure Gauge.....	1
70	22 228 X	Elbow, Pressure Line (at Block).....	1
71	356 635 X1	Connector, Pressure Line (at Gauge).....	1
75 (C)	1 750 586 M91	Cover Assembly, Oil Filter.....	1
76 (C)	1 750 583 M1	Bolt, Oil Filter Cover Retaining.....	1
77	1 750 584 M1	Gasket, Oil Filter Cover Bolt.....	1
78	1 750 585 M1	Spring, Oil Filter.....	1
79	1 005 438 M1	Retainer, Oil Filter Cover Spring.....	1
	1 014 219 M92	Element Kit, Oil Filter.....	1
81		Element, Oil Filter (Order 1014 219 M92).....	3
82	1 750 580 M1	Gasket, Filter Cover (Order 1028 283 M1).....	1
83	1 750 587 M1	Gasket, Element Ends.....	2
84	1 024 070 M1	Base, Oil Filter.....	1

Notes: (B) - Order (1) 1005 438 M1, (1) 1014 219 M92, (1) 1024 070 M1, (1) 1024 232 M91, (1) 1750 584 M1, (1) 1750 585 M1 and (1) 1024 231 M1.
 (C) - Order (1) 1024 231 M1 and (1) 1024 232 M91.

OIL PUMP, OIL PAN, OIL FILTER

F334-51



1st Print

693 041 M4 (Issue 1) 5/73

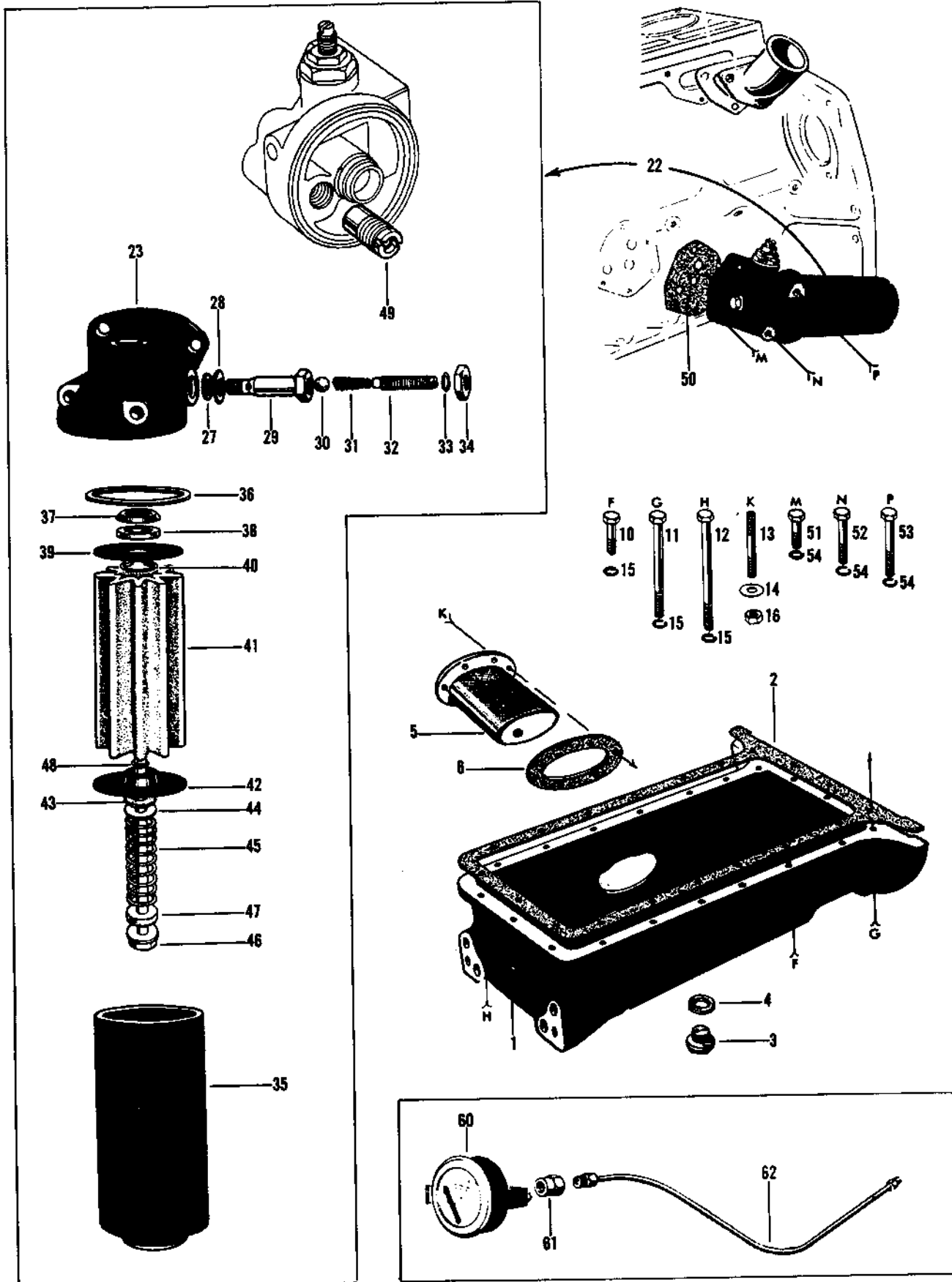
OIL PUMP, OIL PAN, OIL FILTER

Ref. No.	Part No.	Description	TO 20	TE 20
1	1 750 278 M91	Pan Assembly, Oil (stamped).....	1	1
1	1 750 275 M1	Pan, Oil (Cast).....	1	1
2	1 750 024 M1	Gasket, Oil Pan.....	1	1
3 (A)	1 750 276 M91	Cover Assembly, Hand Hole.....	1	1
3 (B)	1 750 270 M91	Cover Assembly, Hand Hole.....	1	1
4	1 750 269 M1	Gasket, Hand Hole Cover.....	-	1
5 (A)	1 750 273 M1	Plug, Drain, Oil Pan.....	1	1
5 (B)	1 003 287 M1	Plug, Drain, Oil Pan.....	1	1
6 (A)	1 750 357 M1	Gasket, Drain Plug (41/64 x 1 x 7/64").....	-	1
6 (B)	15 329 A	Gasket, Drain Plug (29/32 x 1-3/32 x 3/32").....	-	1
7 (A)	1 750 310 M1	Bolt, Cover to Tube.....	1	1
7 (B)	1 750 272 M1	Bolt, Cover to Tube.....	-	1
8 (A)	1 750 355 M1	Gasket, Cover Bolt (1/2 x 1 x 1/16").....	1	1
8 (B)	1 750 356 M1	Gasket, Cover Bolt (15/16 x 1-11/64 x 1/16").....	-	1
9	353 677 XI	Bolt, Oil Pan (5/16 x 3/4" NC, Hex.).....	18	18
10	353 446 XI	Washer (5/16" Lock).....	18	18
18	1 750 239 M91	Pump Assembly, Oil.....	1	1
19	1 750 214 M91	Body Assembly, Oil Pump.....	1	1
20	19 454 X	Plug (1/2" Expansion).....	3	3
21 (C)	760 195 M1	Bushing.....	2	2
22	1 750 110 M1	Stud, Idler Gear.....	1	1
23 (C)	1 750 090 M91	Gear Assembly, Oil Pump, Lead (Order 1028 737 M91).....	1	1
24 (C)	1 500 015 M1	Gear, Oil Pump, Follow.....	1	1
25	1 750 085 M1	Cover, Oil Pump.....	1	1
26 (C)	1 750 087 M1	Gasket, Oil Pump Cover.....	1	1
27	14 276 X	Screw, Cover (1/4 x 5/8" NC, Flat Hd.).....	6	6
28 (C)	1 750 052 M1	Gear, Oil Pump, Driven.....	1	1
29 (C)	1 750 126 M1	Screw, Lock, Driven Gear (1/4 x 5/16" NC, Set).....	1	1
30 (C)	760 156 M1	Valve, Relief, Oil Pressure (Order 15 322 A).....	1	1
31 (C)	21 195 A	Spring, Oil Pressure Regulating.....	1	1
32	1 009 061 M1	Washer, Oil Pressure Adjusting.....	x	x
33 (C)	760 159 M1	Retainer, Regulating Spring.....	1	1
34 (C)	354 061 XI	Cotter Pin (1/8 x 1-1/4").....	1	1
	835 643 M91	Repair Kit, Oil Pump (Incl. all items marked "C").....	1	1
36	1 005 960 M1	Pin, Pump to Bearing Cap.....	2	2
37	1 750 088 M1	Shim, Oil Pump to Bearing Cap.....	x	x
38	1 750 131 M1	Bolt, Oil Pump (1/2 x 6-1/2" NC, Hex.).....	2	2
39	1 754 683 M1	Washer (1/2" Special).....	2	2
45	1 750 308 M1	Cover, Oil Filter.....	1	1
46	1 750 315 M91	Screen Assembly, Strainer.....	1	1
47	830 910 M91	Element Kit (Pkg. of 3).....	1	1
48	1 750 057 M1	Spring, Filter Cover.....	1	1
49	1 750 360 M1	Washer, Spring Seat (19/32 x 1-1/2 x 3/32" Felt).....	1	1
50 (A)	1 750 313 M91	Tube Assembly, Filter (7/16" - 9/16" NC x 7-3/16").....	1	1
50 (B)	1 750 309 M91	Tube Assembly, Filter (9/16" NC x 8-9/16").....	-	1
51	355 833 XI	Washer (9/16" Int. Skpf.).....	1	1
52 (A)	1 750 311 M1	Tube, Suction (1/4" P.T. x 4-1/4").....	1	1
52 (B)	1 750 306 M1	Tube, Suction (1/4" P.T. x 5").....	-	1
53	1 750 361 M1	Washer (17/32 x 1-1/4 x 3/32" Felt).....	1	1
54	1 750 307 M1	Support, Oil Pump Inlet Tube.....	1	1
55	1 750 312 M91	Tube Assembly, Oil Inlet.....	1	1
56	1 750 139 M1	Nut, Inlet Tube.....	2	2
57	1 750 140 M1	Sleeve, Inlet Tube.....	2	2
58	1 750 359 M1	Connector, Tube.....	1	-
59	1 750 147 M1	Elbow, Tube.....	1	-
64	180 100 M91	Gauge Assembly, Oil Pressure (Order 506 902 M92).....	1	1
65	181 727 M91	Tube Assembly, Oil Pressure Gauge.....	1	1
66	22 228 X	Elbow, Pressure Line (at Block).....	1	1
67	356 635 XI	Connector, Pressure Line (at Gauge).....	1	1

Notes: (A) - Used Tractor Serial Number 48067 and up.
 (B) - Used prior to Tractor Serial Number 48067.

OIL PAN, OIL FILTER, OIL GAUGE

F117-1



1st Print

693 041 M4 (Issue 1) 5/73

OIL PAN, OIL FILTER, OIL GAUGE

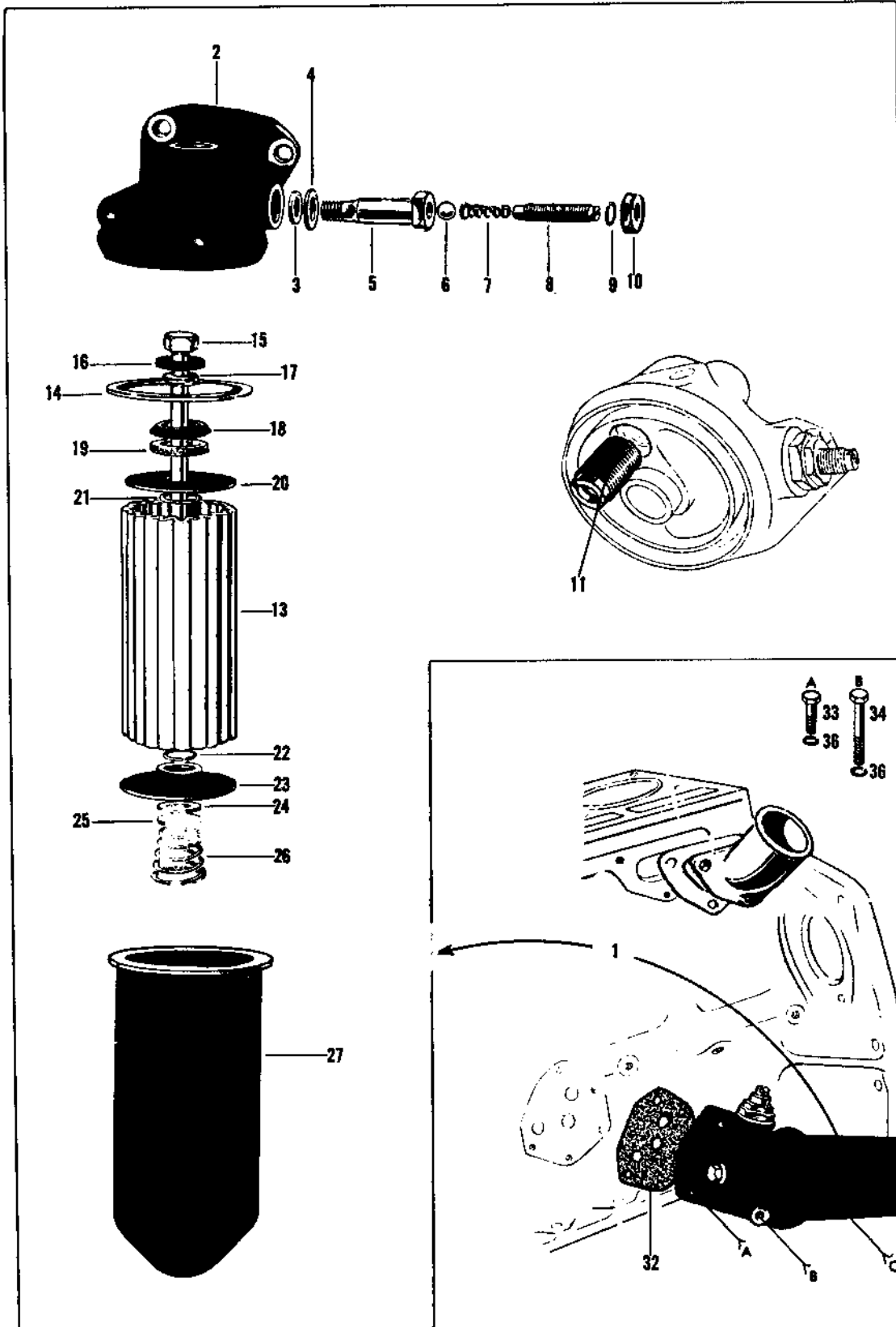
(TE-A20 MODELS)

Ref. No.	Part No.	Description	No. Req.
1	825 260 M1	Pan, Oil.....	1
2	825 654 M1	Gasket, Oil Pan.....	1
3	825 219 M1	Plug, Drain, Oil Pan.....	1
4	825 295 M1	Gasket, Drain Plug.....	1
5	825 164 M91	Strainer Assembly, Oil.....	1
6	825 653 M1	Gasket, Strainer.....	1
10	353 681 X1	Bolt (5/16 x 1-1/4" NC, Hex.).....	x
11	357 313 X1	Bolt (5/16 x 5-1/8" NF, Hex.).....	x
12	354 402 X1	Bolt (5/16 x 5-7/16" NC, Hex.).....	x
13	825 324 M1	Stud, Strainer to Pan.....	x
14	353 755 X1	Washer (5/16" Small Flat).....	x
15	353 446 X1	Washer (5/16" Lock).....	x
16	353 916 X1	Nut (5/16" NF, Hex.).....	x
22	825 913 M91	Filter Assembly, Oil (Check Filters on Page 31).....	1
23	827 422 M91	Head Assembly.....	1
	828 133 M1	Nut, Head (B.S.F.).....	x
	827 142 M1	Nut, Head (U.N.F.).....	x
	827 708 M1	Washer, Sealing.....	1
27	827 712 M1	Washer, Sealing.....	1
28	827 711 M1	Washer, Steel.....	1
29	825 271 M1	Body, Relief Valve.....	1
30	825 301 M1	Ball, Relief Valve.....	1
31	825 310 M1	Spring, Relief Valve.....	1
32	825 311 M1	Screw, Relief Valve Adjusting.....	1
33	825 104 M1	"O" Ring, Adjusting Screw.....	1
34	825 115 M1	Nut, Lock, Adjusting Screw.....	1
35	825 809 M91	Body Assembly.....	1
36	825 810 M1	Gasket, Head to Body.....	1
37	825 281 M1	Washer (Dished).....	1
38	825 279 M1	Washer (Felt).....	1
39	825 117 M1	Plate, Washer Retaining.....	1
40	825 118 M1	Ring, Snap, Plate Retaining.....	1
41	825 807 M1	Element.....	1
42	825 814 M1	Plate, Element Pressure (Order 1881 444 M1).....	1
43	825 817 M1	Washer (Felt).....	1
44	825 815 M1	Washer, Spring Seat.....	1
45	825 806 M1	Spring, Element.....	1
46	825 813 M1	Bolt, Center (U.N.F.).....	x
46	828 134 M1	Bolt, Center (B.S.F.).....	x
47	825 816 M1	Washer, Center Bolt.....	1
48	826 690 M1	Ring, Snap, Center Bolt Retaining.....	1
49	827 709 M91	Valve Assembly, Balance.....	1
50	825 663 M1	Gasket, Filter to Block.....	1
51	825 918 M1	Bolt, Filter to Block.....	1
52	825 917 M1	Bolt, Filter to Block.....	1
53	825 916 M1	Bolt, Filter to Block.....	2
54	375 200 X1	Washer, Filter Bolts.....	4
60	761 892 M91	Gauge Assembly, Oil Pressure.....	1
61	356 635 X1	Connector, Oil Gauge.....	1
62 (A)	825 095 M91	Line Assembly, Oil Pressure.....	1
62 (B)	825 711 M91	Line Assembly, Oil Pressure.....	1

Notes: (A) - Used Tractor Serial Number 200001 and up.
 (B) - Used prior to Tractor Serial Number 200001.

OIL FILTERS

F117-51



OIL FILTERS

(TE-A20 MODELS)

(USED ENGINE SERIAL NO. SC733612E AND UP)

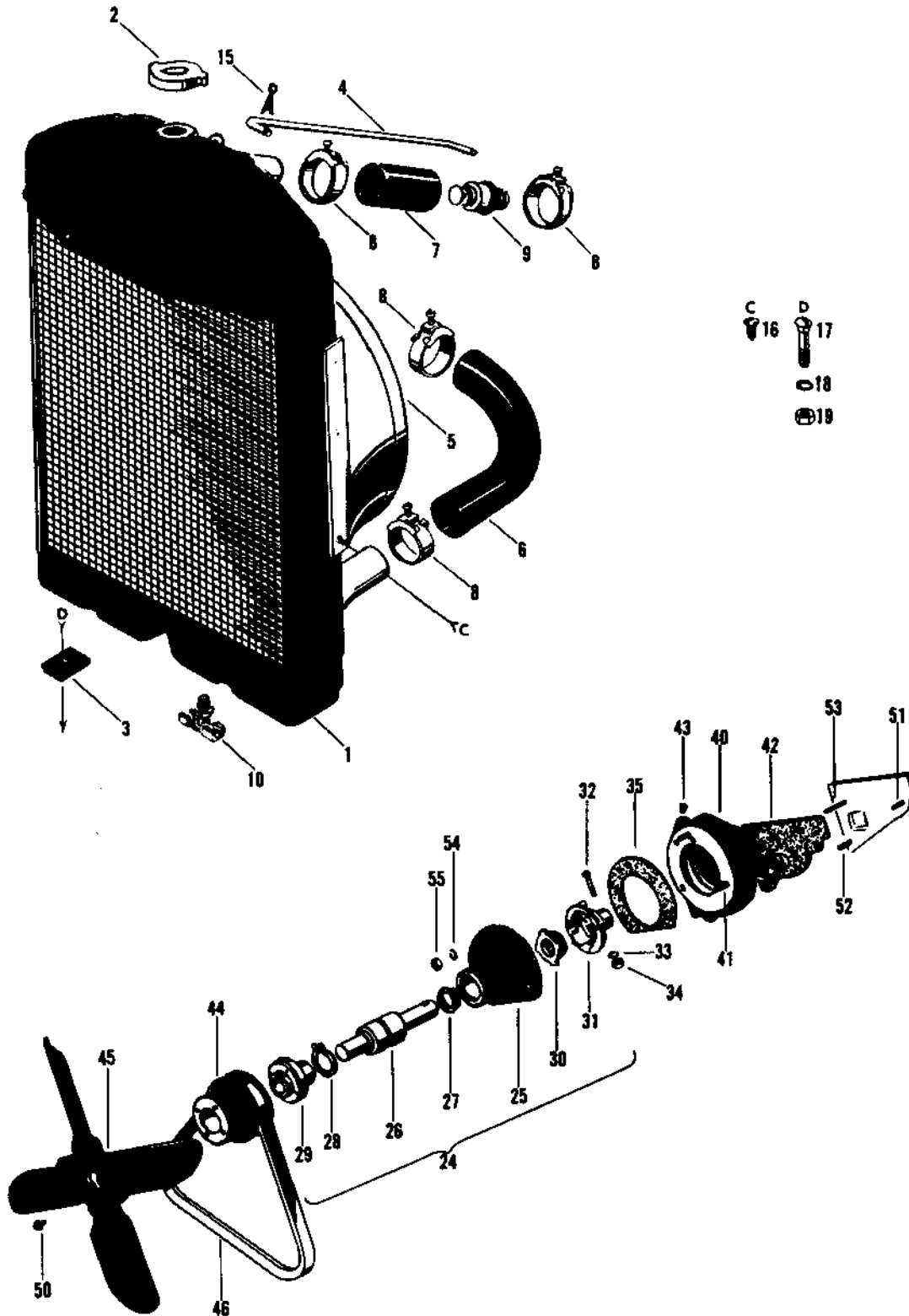
Ref. No.	Part No.	Description	No. Req.
1	825 262 M92	Filter Assembly, Oil (Order 1 - 825 913 M91, 2 - 825 916 M1, 1 - 825 917 M1 & 1 - 825 918 M1).....	1
2	825 812 M91	Head Assembly (Order 2 - 825 916 M1, 1 - 825 917 M1, 1 - 825 918 M1 & 1 - 827 422 M91).....	1
3	825 270 M1	Gasket, Relief Valve.....	1
4	825 280 M1	Washer, Relief Valve Body.....	1
5	825 271 M1	Body, Relief Valve.....	1
6	825 301 M1	Ball, Relief Valve.....	1
7	825 310 M1	Spring, Relief Valve.....	1
8	825 311 M1	Screw, Adjusting, Relief Valve.....	1
9	825 104 M1	"O" Ring Adjusting Screw.....	1
10	825 115 M1	Nut, lock, Adjusting Screw.....	1
11	827 709 M91	Valve Assembly, Balance.....	1
13	825 807 M1	Element (Order 835 567 M91).....	1
14	825 278 M1	Gasket, Head to Body.....	1
15	825 813 M1	Bolt, Center.....	1
16	825 816 M1	Washer, Center Bolt.....	1
17	825 810 M1	Gasket, Center Bolt.....	1
18	825 281 M1	Washer (Dished).....	1
19	825 817 M1	Washer (Felt).....	1
20	825 117 M1	Plate, Washer Retaining.....	1
21	825 118 M1	Ring, Snap, Plate Retaining.....	1
22	825 818 M1	Ring, Snap, Center Bolt Retaining.....	1
23	825 814 M1	Plate, Element, Lower (Order 1 881 444 M1).....	1
24	825 121 M1	Gasket, Lower Plate.....	1
25	825 815 M1	Washer, Spring Seat.....	1
26	825 806 M1	Spring, Element.....	1
27	825 809 M91	Base, Filter.....	1
32	825 663 M1	Gasket, Filter to Block.....	1
33	353 679 X1	Bolt (5/16 x 1" NC, Hex.).....	2
34	825 917 M1	Bolt (5/16 x 2-7/8" NC, Hex.).....	1
35	354 627 X1	Bolt (5/16 x 4" NC, Hex.).....	1
36	353 446 X1	Washer (5/16" Lock).....	4

(USED PRIOR TO ENGINE SERIAL NO. SC733612E)

1	825 262 M91	Filter Assembly, Oil (Order 1 - 825 913 M91, 2 - 825 916 M1, 1 - 825 917 M1 & 1 - 825 918 M1).....	1
2	825 274 M91	Head Assembly.....	1
3	825 270 M1	Gasket, Relief Valve.....	1
4	825 280 M1	Washer, Relief Valve Body.....	1
5	825 271 M1	Body, Relief Valve.....	1
6	825 301 M1	Ball, Relief Valve.....	1
7	825 310 M1	Spring, Relief Valve.....	1
8	825 311 M1	Screw, Adjusting, Relief Valve.....	1
9	825 104 M1	"O" Ring, Adjusting Screw.....	1
10	825 115 M1	Nut, Lock, Adjusting Screw.....	1
11	827 709 M91	Valve Assembly, Balance.....	1
13	835 567 M92	Element Kit.....	1
13	825 664 M1	Element (Order 835 567 M92).....	1
14	825 278 M1	Gasket, Head to Body.....	1
15	825 275 M1	Bolt, Center.....	1
16	825 123 M1	Washer, Center Bolt.....	1
17	825 124 M1	Gasket, Center Bolt.....	1
18	825 281 M1	Washer (Dished).....	1
19	825 279 M1	Washer (Felt).....	1
20	825 117 M1	Plate, Washer Retaining.....	1
21	825 118 M1	Ring, Snap, Plate Retaining.....	1
22	825 122 M1	Ring, Snap, Center Bolt Retaining.....	1
23	825 120 M1	Plate, Element, Lower.....	1
24	825 121 M1	Gasket, Lower Plate.....	1
25	825 119 M1	Washer, Spring Seat.....	1
26	825 276 M1	Spring, Element.....	1
27	825 277 M1	Base, Filter.....	1
32	825 663 M1	Gasket, Filter to Block.....	1
33	353 679 X1	Bolt (5/16 x 1" NC, Hex.).....	2
34	825 917 M1	Bolt (5/16 x 2-7/8" NC, Hex.).....	1
35	354 627 X1	Bolt (5/16 x 4" NC, Hex.).....	1
36	353 446 X1	Washer (5/16" Lock).....	4

RADIATOR AND WATER PUMP

F99-1



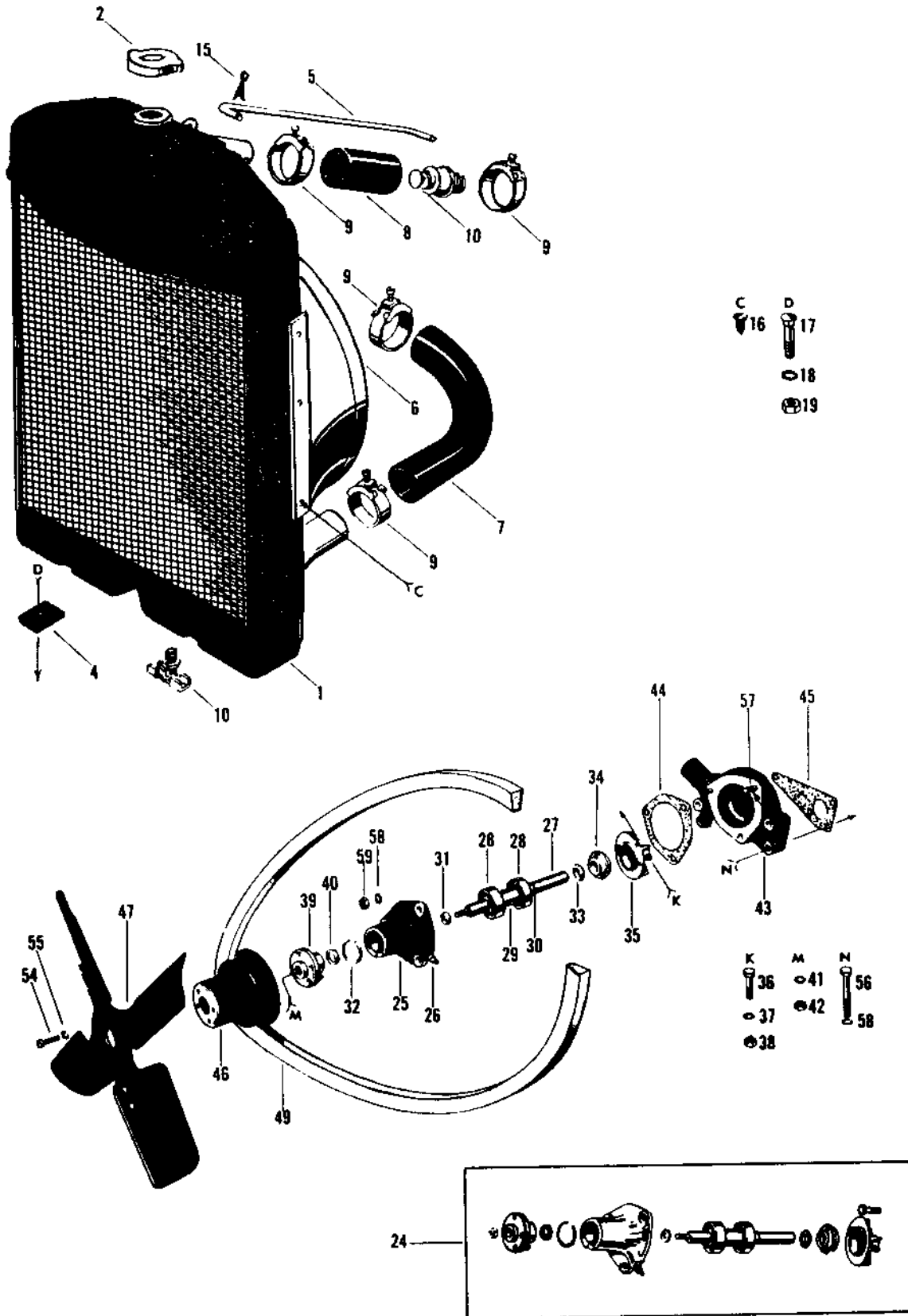
RADIATOR AND WATER PUMP

(TO AND TE MODELS)

Ref. No.	Part No.	Description	No. Req.
1	181 623 M1	Radiator Assembly.....	1
2	180 224 M91	Cap Assembly, Radiator (Used TO Models).....	1
2	825 702 M2	Cap, Radiator (Used TE Models).....	1
	825 703 M1	Gasket, Radiator Cap (Used TE Models).....	1
3	180 705 M1	Pad, Radiator Mounting.....	2
4	181 624 M1	Rod, Radiator Support (Used TO Models).....	1
4	825 001 M1	Rod, Radiator Support (Used TE Models).....	1
5	181 626 M1	Shroud, Radiator.....	1
6	180 145 M1	Hose, Radiator Outlet.....	1
7	180 085 M1	Hose, Radiator Inlet.....	1
8	832 718 M1	Clamp, Radiator Hose.....	4
9	181 634 M1	Thermostat (160°).....	1
9	181 732 M1	Thermostat Assembly (180°).....	1
10	763 716 M1	Cock, Radiator Drain.....	1
15	354 046 X1	Cotter Pin (3/32 x 1/2").....	x
16	365 936 X1	Screw (#10 x 3/8" Self Tapping).....	x
17	353 828 X1	Bolt (7/16 x 1-1/4" NF, Carr.).....	x
18	353 432 X1	Washer (7/16" Lock).....	x
19	353 426 X1	Nut (7/16" NF, Hex.).....	x
24	830 862 M91	Water Pump Repair Kit (Assembled).....	1
25	1 754 232 M91	Support Assembly.....	1
26	1 750 295 M91	Shaft Assembly, Drive.....	1
27	760 215 M1	Slinger, Water.....	1
28	760 161 M1	Ring, Snap, Shaft Retaining.....	1
29	1 750 297 M1	Hub, Fan.....	1
30	1 007 646 M91	Seal Assembly, Pump.....	1
31	1 750 302 M1	Impeller, Pump.....	1
32	760 548 M1	Screw, Impeller Retaining (#10 - 24 x 1" Fill. Hd.).....	1
33	353 445 X1	Washer (#10 Lock).....	1
34	354 120 X1	Nut (#10 - 24 Hex.).....	1
35	1 750 296 M1	Gasket, Support to Body.....	1
40	1 750 305 M91	Body Assembly, Water Pump.....	1
41	21 207 A	Stud (3/8" NC x 1-1/2").....	2
42	1 750 077 M1	Gasket, Body to Block.....	1
43	355 542 X1	Plug, Body (1/8" P.T., Ctsk. Sckt. Hd.).....	1
44	1 750 300 M1	Pulley, Fan.....	1
45	181 522 M91	Fan Assembly.....	1
46	181 636 M1	Belt, Fan.....	1
50	1 750 129 M91	Bolt Assembly, Fan (5/16 x 5/8" NC, Hex.).....	4
51	15 245 A	Stud, Water Pump (3/8" NC x 1-3/8").....	1
52	1 006 690 M1	Stud, Water Pump (3/8" NC x 1-5/8").....	1
53	1 752 893 M1	Stud, Water Pump (3/8" NC x 3-3/8").....	1
54	353 434 X1	Washer (3/8" Lock).....	5
55	354 123 X1	Nut (3/8" NC, Hex.).....	5
	825 684 M1	Hose, By-Pass.....	1

RADIATOR AND WATER PUMP

F99-51



RADIATOR AND WATER PUMP

(TE-A20 MODELS)

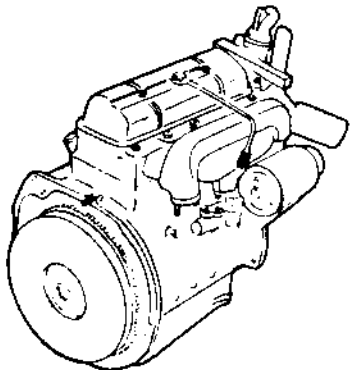
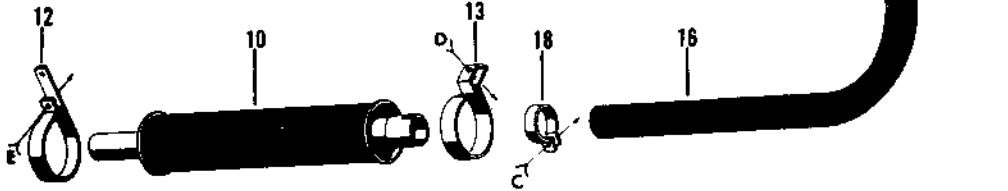
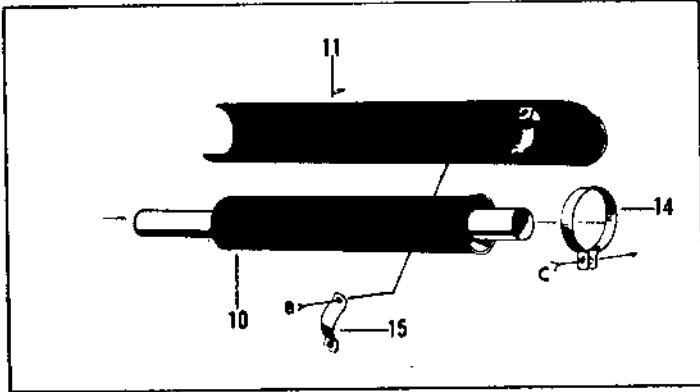
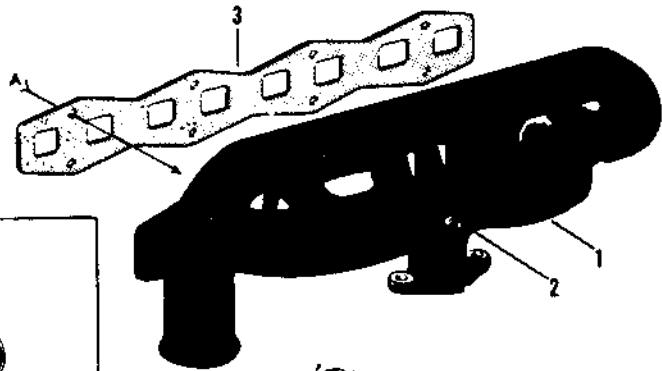
Ref. No.	Part No.	Description	80	85
			MM	MM
1	181 623 M1	Radiator Assembly.....	1	1
2	825 702 M2	Cap, Radiator.....	1	1
	825 703 M1	Gasket, Radiator Cap.....	1	1
4	180 705 M1	Pad, Radiator Mounting.....	2	2
5	825 001 M1	Rod, Radiator Support.....	1	1
6 (A)	825 098 M1	Shroud, Radiator.....	-	1
6 (B)	825 096 M91	Shroud Assembly, Radiator.....	1	1
7	825 657 M1	Hose, Radiator Outlet.....	1	1
8	825 656 M1	Hose, Radiator Inlet.....	1	1
9	832 713 M1	Clamp, Radiator Hose.....	4	4
10	763 716 M1	Cock, Radiator Drain.....	1	1
15	354 046 X1	Cotter Pin (3/32 x 1/2").....	x	x
16	365 936 X1	Screw (#10 x 3/8" Self Tapping).....	x	x
17	353 828 X1	Bolt (7/16 x 1-1/4" NF, Carr.).....	x	x
18	353 432 X1	Washer (7/16" Lock).....	x	x
19	353 426 X1	Nut (7/16" NF, Hex.).....	x	x
24 (C)	825 440 M91	Water Pump Repair Kit.....	1	1
25	825 447 M1	Housing, Pump Support.....	1	1
26	15 438 X	Grease Fitting (1/8" P.T., 30°) (Order 1900 483 M92 Pkg of 10).	1	1
27	825 743 M1	Spindle, Pump Drive.....	1	1
28	825 375 M1	Bearing, Ball.....	2	2
29	825 370 M1	Spacer, Bearing.....	1	1
30	353 213 X1	Ring, Snap, Bearing Retaining, Rear.....	1	1
31	825 376 M1	Washer, Bearing Thrust.....	1	1
32	825 371 M1	Ring, Snap, Bearing Retaining, Front.....	1	1
33	825 309 M1	Seal, Bearing.....	1	1
34	825 374 M1	Seal, Water Pump.....	1	1
35	825 742 M1	Impeller.....	1	1
36	353 986 X1	Bolt, Impeller to Spindle.....	1	-
36	825 472 M1	Bolt, Impeller to Spindle.....	-	1
37	354 120 X1	Nut, Impeller to Retaining Bolt.....	1	-
37	825 473 M1	Nut, Impeller Retaining Bolt.....	-	1
38	353 445 X1	Washer, Lock.....	1	1
39	825 377 M1	Hub, Pulley.....	1	1
40	825 379 M1	Spacer, Bearing, Front.....	1	1
41	825 372 M1	Washer, Hub.....	1	1
42	1 040 597 M1	Nut, Hub Retaining.....	1	1
43	825 137 M1	Body, Water Pump (Order 827 770).....	1	-
43	825 446 M1	Body, Water Pump.....	-	1
44	825 141 M1	Gasket, Housing to Body.....	1	1
45	825 144 M1	Gasket, Body to Block.....	1	-
45	825 386 M1	Gasket, Body to Block.....	-	1
46	825 378 M91	Pulley Assembly, Fan.....	1	1
47	825 181 M91	Fan Assembly.....	1	1
	825 363 M1	Balance, Fan.....	1	1
49 (D)	825 660 M1	Belt, Fan.....	1	1
49 (E)	825 084 M1	Belt, Fan (Order 629 004 M1).....	1	-
54	353 517 X1	Bolt (5/16 x 3/4" NF, Hex.).....	4	4
55	353 446 X1	Washer (5/16" Lock).....	4	4
56	354 264 X1	Bolt (3/8 x 1-3/4" NC, Hex.).....	1	1
56	354 267 X1	Bolt (3/8 x 2-1/4" NC, Hex.).....	1	1
56	354 270 X1	Bolt (3/8 x 2-5/8" NC, Hex.).....	1	1
57	825 145 M1	Stud, Body.....	3	3
58	353 434 X1	Washer (3/8" Lock).....	6	6
59	353 431 X1	Nut (3/8" NF, Hex.).....	3	3

- Notes: (A) - Used Tractor Serial No. (TE-A 85 MM) 200001 and up.
 (B) - Used prior to Tractor Serial No. (TE-A 85 MM) 200001.
 (C) - Order (1) 1885 489 M91 Pump and (1) 1881 807 M1 Hub.
 (D) - Used Tractor Serial No. (TE-A 80 MM) 132206 and up.
 (E) - Used prior to Tractor Serial No. (TE-A 80 MM) 132206.

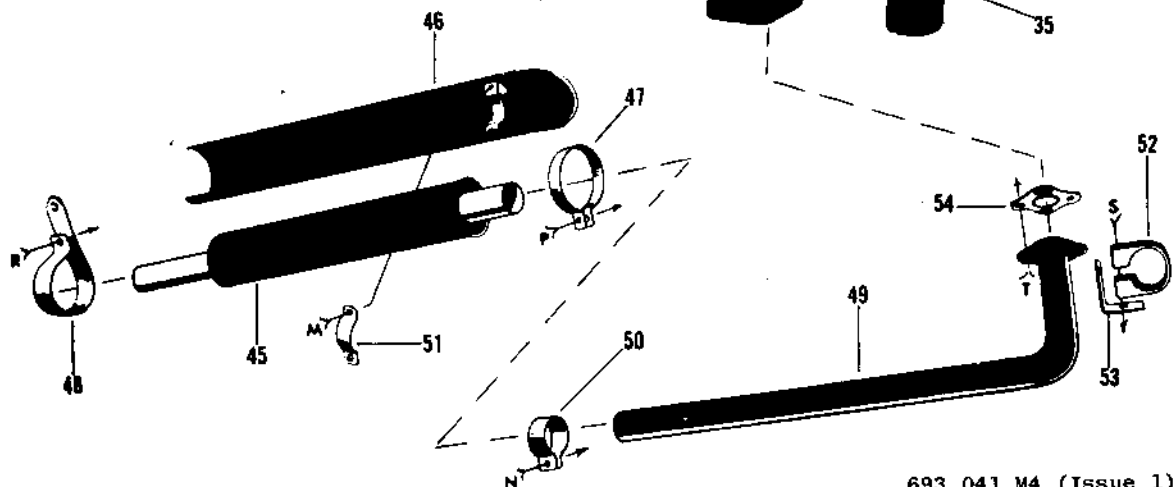
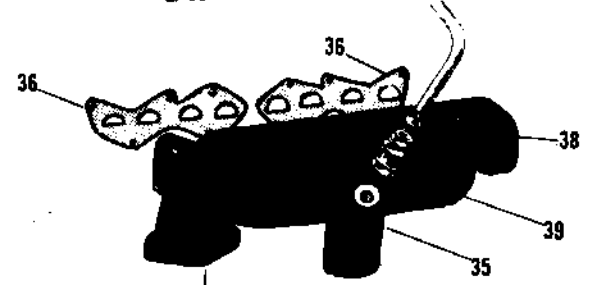
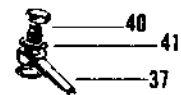
MANIFOLD AND MUFFLER

F109-1

- | | | | | | |
|---|----|----|----|----|----|
| A | B | C | D | E | F |
| 4 | 22 | 23 | 24 | 28 | 29 |
| 5 | 25 | 25 | 25 | 30 | 30 |
| 6 | 26 | 27 | 31 | 31 | 31 |



- | | | | | | |
|----|----|----|----|----|----|
| M | N | P | R | S | T |
| 58 | 59 | 62 | 63 | 64 | 67 |
| 60 | 60 | 65 | 65 | 65 | 68 |
| 61 | 61 | 66 | 66 | 66 | 69 |



1st Print

693 041 M4 (Issue 1) 5/73

MANIFOLD AND MUFFLER

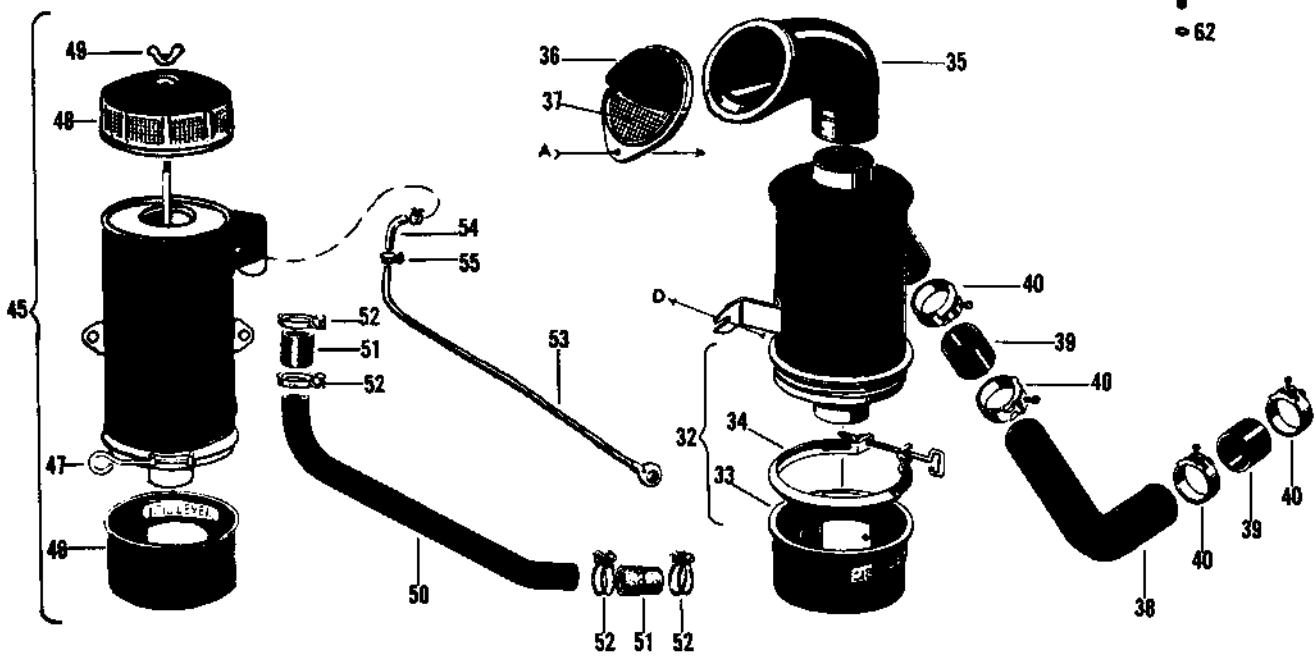
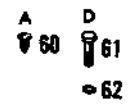
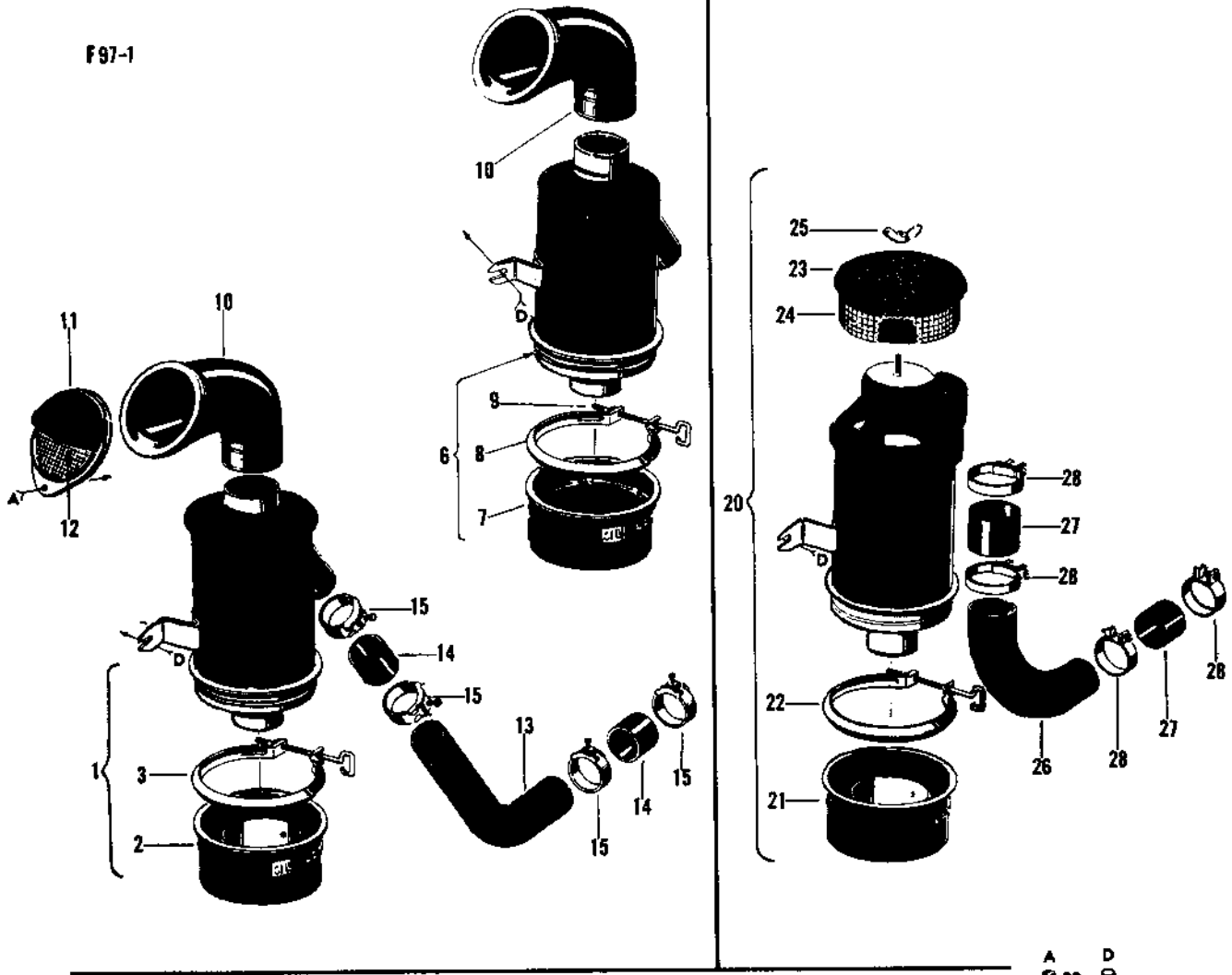
(TO 20, TO 30 AND TE 20)

Ref. No.	Part No.	Description	No. TO	Req. TE
1	1 750 343 M91	Manifold Assembly.....	1	-
1		Manifold Assembly (Order 1 750 343 M91).....	-	1
2	355 547 X1	Plug (1/8" P.T., Sq. Ext. Hd.).....	1	1
3	1 750 045 M1	Gasket, Manifold.....	1	1
4	21 207 A	Stud, Manifold (3/8" NC x 1-1/2").....	8	8
5	353 756 X1	Washer (3/8" Small Flat).....	8	8
6	355 566 X1	Nut (3/8" NC, Special).....	8	8
10	180 364 M91	Muffler Assembly (Order 505 545 M92).....	1	-
10	825 698 M91	Muffler Assembly.....	-	1
11	825 625 M91	Shield Assembly, Muffler.....	-	1
12	180 365 M2	Clip, Muffler (to Axle Housing).....	1	1
13	180 715 M1	Clip, Muffler (to Step Plate).....	1	-
14	825 522 M1	Clip, Muffler (to Shield).....	-	1
15	825 513 M1	Clip, Half (to Shield Clamp).....	-	1
16	181 460 M1	Pipe, Exhaust.....	1	-
16	825 699 M1	Pipe, Exhaust.....	-	1
17	181 461 M1	Clamp, Exhaust Pipe.....	2	2
18	180 070 M1	Clamp, Exhaust Pipe to Muffler.....	1	1
22	353 989 X1	Screw (1/4 x 5/8" NC, Rd. Hd.).....	-	x
23	353 669 X1	Bolt (1/4 x 1" NC, Hex.).....	x	x
24	354 026 X1	Screw (1/4 x 1" NC, Flat Hd.).....	x	-
25	353 441 X1	Washer (1/4" Lock).....	x	x
26	355 564 X1	Nut (1/4" NC, Hex.).....	x	x
27	195 540 M1	Nut (1/4" NC, Sq.).....	x	-
28	353 679 X1	Bolt (5/16 x 1" NC, Hex.).....	x	x
29	353 684 X1	Bolt (5/16 x 1-5/8" NC, Hex.).....	x	x
30	353 446 X1	Washer (5/16" Lock).....	x	x
31	355 565 X1	Nut (5/16" NC, Hex.).....	x	x
(TE-A20 MODELS)			80	85
			MM	MM
35	825 323 M1	Manifold.....	1	-
35	825 458 M1	Manifold.....	-	1
36	825 194 M2	Gasket, Manifold.....	2	2
37	825 320 M91	Tube Assembly, Vent.....	1	1
38	825 300 M1	Sleeve, Tube.....	1	1
	(A) 825 414 M1	Spacer.....	-	1
	(B) 825 322 M1	Washer, Vent Valve.....	1	1
	(B) 825 321 M1	Pin, Vent Valve.....	1	1
39	(C) 825 206 M91	Valve Assembly, Vent.....	1	-
	(C) 1 400 185 M1	Washer, Vent Valve.....	1	-
40	(A) 825 411 M1	Bolt, Union, Vent Tube.....	-	1
40	(B) 825 217 M1	Bolt, Union, Vent Tube.....	1	1
	(A) 825 412 M1	Screw, Breather.....	-	1
	(A) 825 413 M1	Pin, Breather.....	-	1
41	825 299 M1	Washer, Union Bolt.....	2	2
45	825 698 M91	Muffler Assembly.....	1	1
46	825 625 M91	Shield Assembly, Muffler.....	1	1
47	825 522 M1	Clip, Muffler (to Shield).....	1	1
48	180 365 M2	Clip, Muffler (to Axle Housing).....	1	1
49	(D) 825 093 M91	Pipe Assembly, Exhaust.....	-	1
49	(E) 825 081 M91	Pipe Assembly, Exhaust.....	1	1
50	180 070 M1	Clip, Pipe to Muffler.....	1	1
51	825 513 M1	Clip, Half, Muffler to Shield.....	1	1
52	825 013 M1	Clip.....	1	1
53	825 012 M1	Bracket.....	1	1
54	825 003 M1	Gasket, Pipe to Manifold.....	1	1
58	353 989 X1	Screw (1/4 x 5/8" NC, Rd. Hd.).....	x	x
59	353 669 X1	Bolt (1/4 x 1" NC, Hex.).....	x	x
60	353 441 X1	Washer (1/4" Lock).....	x	x
61	355 564 X1	Nut (1/4" NC, Hex.).....	x	x
62	353 676 X1	Bolt (5/16 x 5/8" NC, Hex.).....	x	x
63	353 679 X1	Bolt (5/16 x 1" NC, Hex.).....	x	x
64	354 615 X1	Bolt (5/16 x 2-1/2" NC, Hex.).....	x	x
65	353 446 X1	Washer (5/16" Lock).....	x	x
66	355 565 X1	Nut (5/16" NC, Hex.).....	x	x
67	891 933 M1	Stud, Pipe to Manifold.....	x	x
68	353 434 X1	Washer (3/8" Lock).....	x	x
69	353 431 X1	Nut (3/8" NF, Hex.).....	x	x

Notes: (A) - Used Tractor Serial No. 238278 and up.
 (B) - Used prior to Tractor Serial No. 238278.
 (C) - Used prior to Engine Serial No. S-61738.
 (D) - Used Tractor Serial No. 200001 and up.
 (E) - Used prior to Tractor Serial No. 200001.

AIR CLEANERS

F97-1



1st Print

693 041 M4 (Issue 1) 5/73

AIR CLEANERS

(TO-30)

Ref. No.	Part No.	Description	No. Req.
1	181 658 M91	Cleaner Assembly, Air, w/Welded Inner Cup (Order 182 243 M91).....	1
2	180 201 M1	Cup Oil.....	1
3	15 203 A	Clamp Assembly, Oil Cup Retaining.....	1
6	182 243 M91	Cleaner Assembly, Air.....	1
7	1 751 275 M1	Cup, Oil, Outer.....	1
7	1 751 473 M1	Cup, Oil, Inner.....	1
8	15 203 A	Clamp Assembly, Cup Retaining.....	-
9	1 010 459 M1	Bolt, Clamp.....	1
10	180 362 M1	Hose, Air Inlet.....	1
11	181 663 M1	Cover, Inlet Hose.....	1
12	181 661 M2	Screen, Air Inlet.....	1
13	181 716 M1	Tube, Air Cleaner to Carbureter.....	1
14	180 062 M1	Hose, Tube (1-1/2" ID x 2-1/2").....	2
15	832 713 M1	Clamp, Hose.....	4

(TO AND TE 20)

20	181 657 M91	Cleaner Assembly, Air.....	1
21	15 793 A	Cup, Oil.....	1
22	15 203 A	Clamp, Oil Cup Retaining.....	1
23	181 659 M91	Cover Assembly, Air Cleaner.....	1
24	181 664 M1	Screen, Air Filter.....	1
25	355 582 X1	Nut, Cover Retaining (1/4" NC, Wing).....	1
26	181 715 M1	Tube, Air Cleaner to Carbureter (TO 20).....	1
26	825 612 M1	Tube, Air Cleaner to Carbureter (TE 20).....	1
27	181 665 M1	Hose, Tube (1-5/8" ID x 2-1/2").....	2
28	832 713 M1	Clamp, Hose.....	4

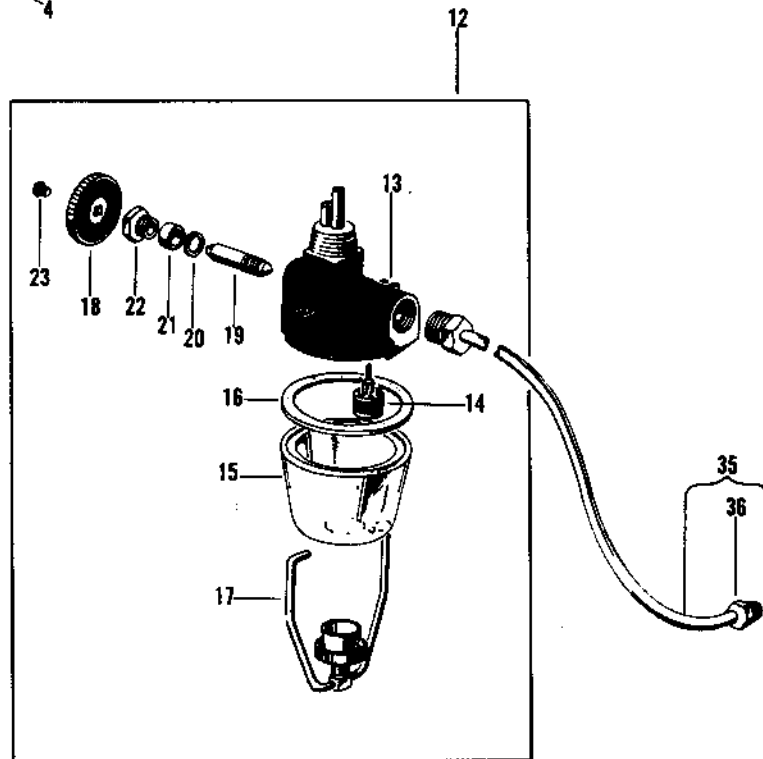
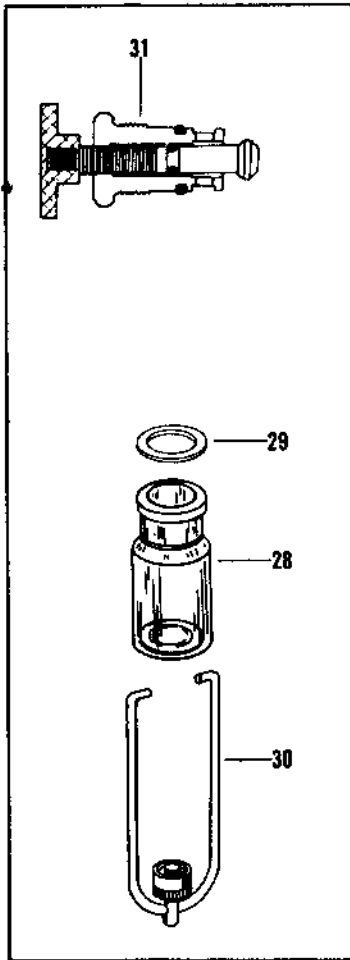
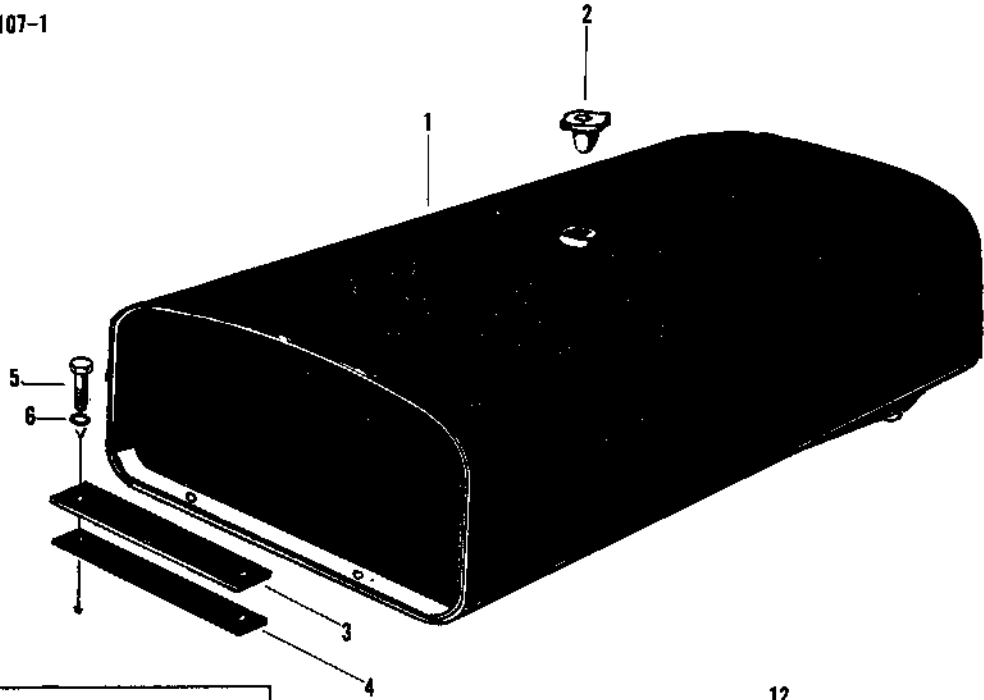
(TE-A20)

			80	85
			MM	MM
32 (A)	825 089 M91	Cleaner Assembly, Air.....	-	1
33	825 604 M1	Cup, Oil.....	-	1
34	825 598 M1	Clamp Assembly, Oil Cup Retaining.....	-	1
35 (A)	825 074 M1	Hose, Air Inlet.....	-	1
36 (A)	825 075 M1	Cover, Air Inlet Hose.....	-	1
37 (A)	825 052 M1	Screen, Air Inlet.....	-	1
38 (A)	825 082 M1	Tube, Air Cleaner to Carbureter.....	-	1
39	825 004 M1	Hose, Tube.....	-	2
40 (C)	825 014 M1	Clip, Hose (Large).....	-	3
40 (C)	825 015 M1	Clip, Hose (Small).....	-	1
45 (B)	825 087 M91	Cleaner Assembly, Air.....	1	1
46	825 604 M1	Cup, Oil.....	1	1
47	825 598 M1	Clamp Assembly, Oil Cup Retaining.....	1	1
48	825 596 M1	Cover Assembly, Air Cleaner.....	1	1
49	355 582 X1	Nut, Cover Retaining (1/4" NC, Wing).....	1	1
50 (B)	825 723 M1	Pipe, Cleaner to Carbureter.....	1	1
51	825 004 M1	Hose, Pipe.....	2	2
52 (C)	825 014 M1	Clip, Hose (Large).....	3	3
52 (C)	825 015 M1	Clip, Hose (Small).....	1	1
53 (B)	825 083 M91	Pipe Assembly, Suction (to Block).....	1	1
54 (B)	825 007 M1	Hose, Suction Pipe.....	1	1
55 (B)	825 016 M1	Clip, Hose.....	2	2
60	181 662 M1	Screw (#10 - 24 x 1/2" Pan. Hd., Special).....	x	x
61	353 557 X1	Bolt (7/16 x 3/4" NF, Hex.).....	x	x
62	353 432 X1	Washer (7/16" Lock).....	x	x

Notes: (A) - Used Tractor Serial No. 200001 and up.
 (B) - Used prior to Tractor Serial No. 200001.
 (C) - Order 832 713 M1 Clamp.

FUEL TANK AND FILTER

F107-1



FUEL TANK AND FILTER

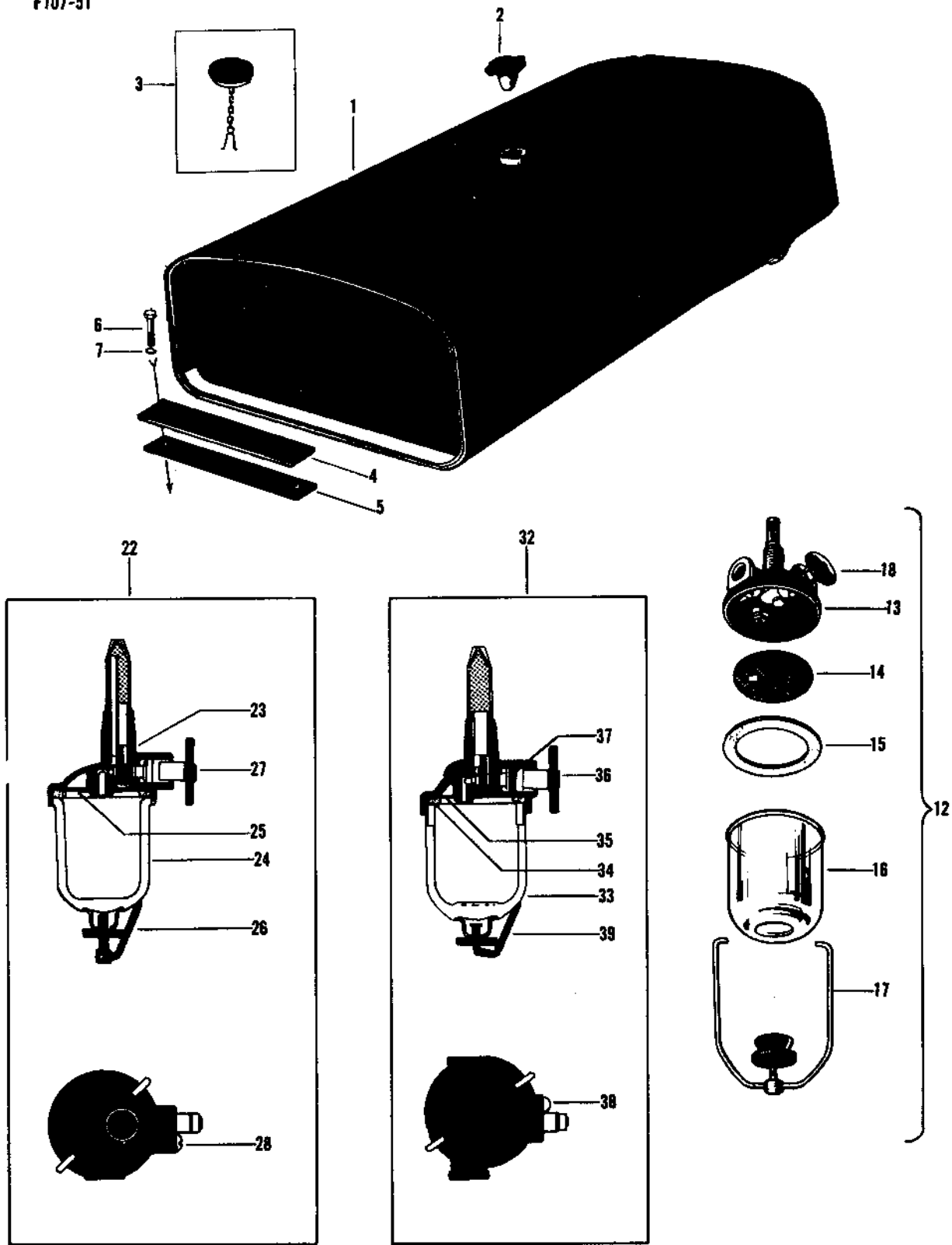
(TO 30 AND TO 20)

Ref. No.	Part No.	Description	No. Req.
1	181 637 M91	Tank Assembly, Fuel.....	1
2	188 716 M93	Cap Assembly, Fuel Tank Filler (Order 520 948 M91).....	1
3	180 082 M1	Strap, Fuel Tank Mounting.....	2
4	180 063 M1	Pad, Fuel Tank.....	4
5	353 678 X1	Bolt, Fuel Tank(5/16 x 7/8" NC, Hex.).....	4
6	353 446 X1	Washer (5/16" Lock).....	4
12	180 141 M91	Filter Assembly, Fuel.....	1
13	180 098 M91	Body Assembly.....	1
14	180 077 M1	Strainer, Fuel (in Body).....	1
15	1 001 514 M1	Bowl, Sediment (2" OD x 1" Deep).....	1
16	180 060 M1	Gasket, Sediment Bowl (1-1/2 x 2 x 1/16").....	1
17	1 001 515 M91	Bail Assembly, Bowl Retaining.....	1
18	180 061 M1	Wheel, Valve Control.....	1
19	180 074 M1	Stem, Fuel Valve.....	1
20	180 073 M1	Washer, Valve Stem.....	1
21	180 053 M1	Packing, Valve Stem.....	1
22	180 059 M1	Nut, Packing Retaining.....	1
23 (A)	1 016 918 M1	Screw, Valve Control Wheel Retaining.....	1
28 (B)	14 659 A	Bowl, Sediment (1-1/32" OD x 2" Deep).....	1
29 (B)	14 660 A	Gasket, Sediment Bowl (3/4 x 1-1/16 x 3/32").....	1
30 (B)	14 661 A	Bail Assembly, Bowl Retaining.....	1
31 (B)	181 641 M91	Valve Assembly, Fuel Shut-off.....	1
35	180 170 M91	Line Assembly, Fuel.....	1
36	195 442 M1	Nut, Fuel Line.....	2

Note: (A) - Used some early TO Models, Order accordingly.
 (B) - Order 195 441 M1 and 358 678 X1.

FUEL TANK AND FILTER

F107-51



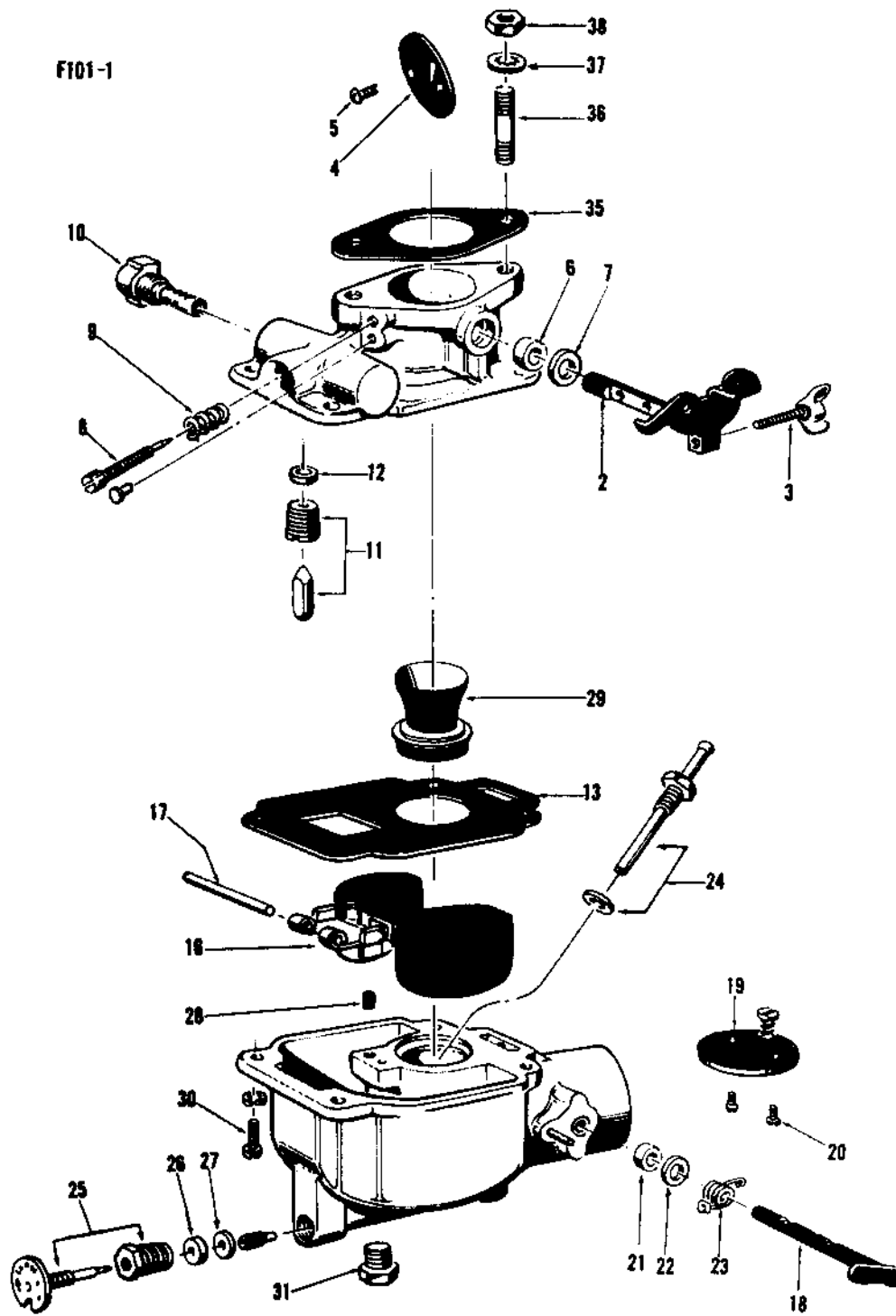
FUEL TANK AND FILTER

(TE 20 AND TE-A 20)

Ref. No.	Part No.	Description	No. Req.
1	181 637 M91	Tank Assembly, Fuel.....	1
2	188 716 M93	Cap Assembly, Fuel Tank Filler (Order 520 948 M91).....	1
3 (A)	825 560 M1	Cap Assembly, Filler, w/Chain (Lock Type).....	1
3 (A)	825 569 M91	Cap Assembly, Filler, w/Chain (Screw Type).....	1
4	180 082 M1	Strap, Fuel Tank.....	2
5	180 063 M1	Pad, Fuel Tank.....	4
6	353 678 X1	Bolt, Fuel Tank (5/16 x 7/8" NC, Hex.).....	4
7	353 446 X1	Washer (5/16" Lock).....	4
12	825 705 M91	Filter Assembly, Fuel (Order 642 773 M1).....	1
13	825 704 M91	Body, Fuel Filter (Order 642 773 M1).....	1
14	825 509 M1	Strainer, Fuel (Order 632 952 M1).....	1
15	825 706 M1	Gasket, Bowl to Body.....	1
16	825 510 M1	Bowl, Sediment (Order 1 004 498 M1).....	1
17	1 650 038 M1	Bail Assembly, Bowl Retaining.....	1
18	825 575 M91	Valve Assembly, Fuel Control.....	1
22	632 948 M92	Filter Assembly, Fuel (AC) (Order 642 773 M1).....	1
23		Body, Filter (Order 642 773 M1).....	1
	1 650 042 M1	Gasket (Order 1 004 496 M1) (Not Illustrated).....	1
24		Bowl, Sediment (Order 1 004 498 M1).....	1
25	825 509 M1	Strainer, Fuel (Order 632 952 M1).....	1
26	1 650 038 M1	Bail Assembly, Bowl Retaining.....	1
27	1 650 041 M1	Valve Assembly, Fuel Control (Order 642 773 M1).....	1
28	355 732 X1	Screw, Valve Retaining.....	1
32	642 773 M1	Filter Assembly, Fuel.....	1
33	1 004 498 M1	Bowl, Sediment.....	1
34	1 004 496 M1	Gasket, Sediment Bowl.....	1
35	632 952 M1	Screen, Filter.....	1
36	1 851 655 M1	Valve Assembly (Order 1 881 500 M91).....	1
37	359 244 X1	"O" Ring, Valve.....	1
38	355 732 X1	Screw, Valve Retaining.....	1
39	1 650 038 M1	Bail Assembly.....	1
(B)	825 090 M91	Line Assembly, Fuel.....	1
(C)	825 097 M91	Line Assembly, Fuel.....	1
(B)	825 018 M1	Connector, Line (at Carbureter).....	1
(B)	825 020 M1	Connector, Line (at Fuel Filter).....	1

Notes: (A) - Optional Filler Caps; Please check type required before ordering.
 (B) - Used Tractor Serial No. (TE-A 85 MM) 200001 and up.
 (C) - Used prior to Tractor Serial No. (TE-A 85 MM) 200001.

CARBURETER



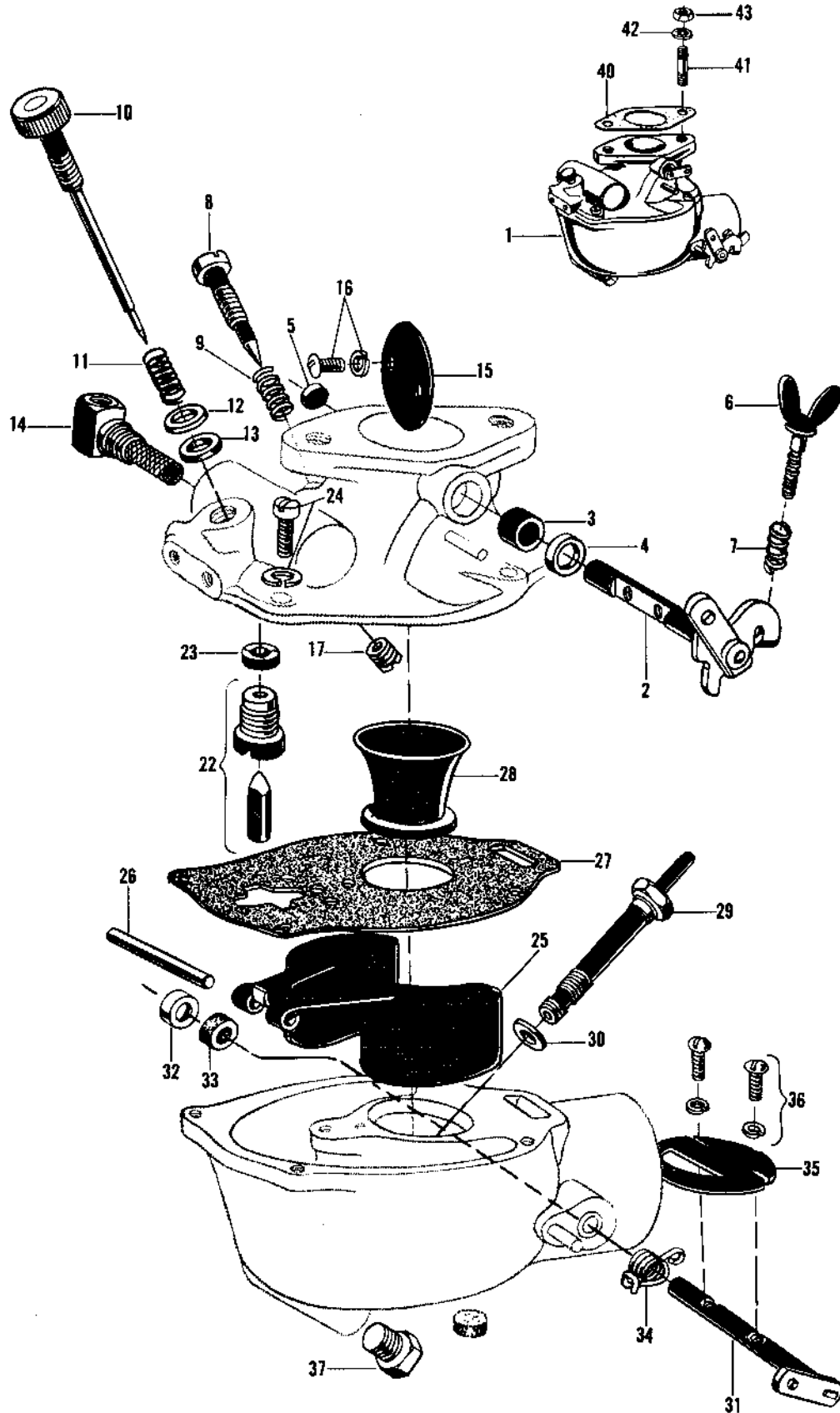
CARBURETER

(TO 30)

<u>Ref.</u> <u>No.</u>	<u>Part No.</u>	<u>Description</u>	<u>No.</u> <u>Req.</u>
	181 957 M91	Carbureter Assembly (Carter) (Order 181 644 M91).....	1
2	1 751 203 M91	Shaft Assembly, Throttle.....	1
3	1 751 189 M1	Screw, Adjusting, Throttle Shaft.....	1
4	1 751 204 M1	Disc, Throttle.....	1
5	1 751 186 M1	Screw Assembly, Throttle Disc.....	2
6	1 751 190 M1	Seal, Dust, Throttle Shaft.....	1
7	1 751 185 M1	Retainer, Dust Seal.....	1
8	1 751 168 M1	Needle, Idle Adjusting.....	1
9	1 751 180 M1	Spring, Idle Adjusting Needle.....	1
10	1 751 172 M91	Elbow Assembly, w/Strainer.....	1
11	1 751 177 M91	Valve Assembly, Fuel.....	1
12	1 751 188 M1	Gasket, Valve.....	1
13	1 751 198 M1	Gasket, Body to Bowl.....	1
16	1 751 171 M91	Float Assembly.....	1
17	1 751 174 M1	Pin, Float Pivot.....	1
18	1 751 201 M91	Shaft Assembly, Choke.....	1
19	1 751 202 M91	Disc Assembly, Choke.....	1
20	1 751 186 M1	Screw Assembly, Choke Disc.....	2
21	1 751 190 M1	Seal, Dust, Choke Shaft.....	1
22	1 751 185 M1	Retainer, Dust Seal.....	1
23	1 751 200 M1	Spring, Choke Lever Return.....	1
24	1 751 199 M91	Nozzle, Assembly, Main.....	1
25	1 751 178 M91	Needle Assembly, Main Adjusting.....	1
26	1 751 176 M1	Gasket, Main Adjusting Needle.....	1
27	1 751 175 M1	Packing, Main Adjusting Needle.....	1
28	1 751 206 M91	Jet, Idle.....	1
29	1 751 205 M1	Venturi Assembly.....	1
30	1 751 187 M91	Screw Assembly, Body to Bowl.....	4
31	1 751 179 M1	Plug, Bowl Drain.....	1
35	181 531 M2	Gasket, Carbureter to Manifold.....	1
36	195 550 M1	Stud (5/16" NC x 1-3/16").....	2
37	195 549 M1	Washer (5/16" Int. Skpf.).....	2
38	355 565 X1	Nut (5/16" NC, Hex.).....	2

CARBURETER

F 295-3



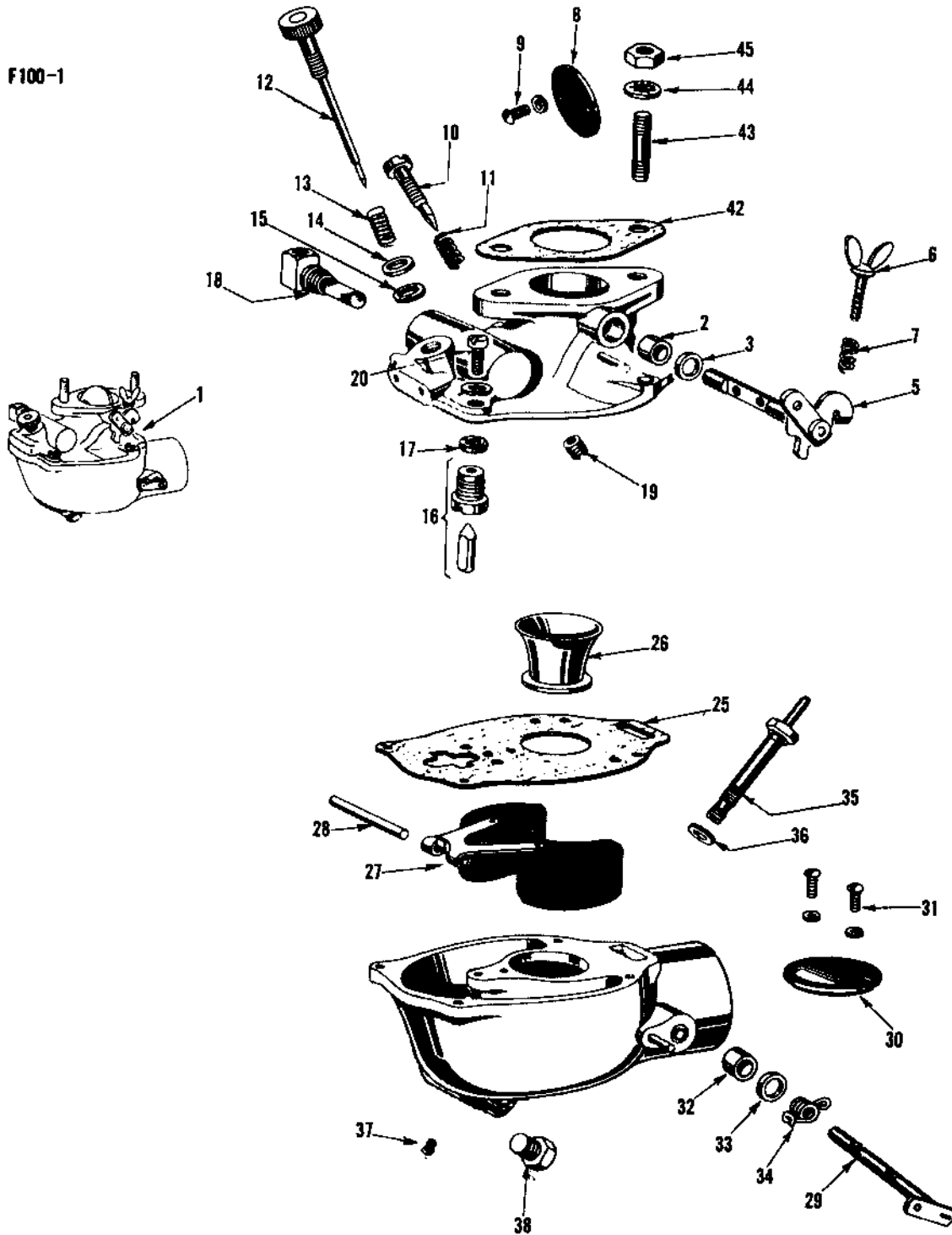
CARBURETER

(TO 30)

Ref. No.	Part No.	Description	No. Req.
1	181 644 M91	Carbureter Assembly (Marvel-Schebler TSX-458).....	1
2	1 751 207 M91	Lever Assembly, Throttle.....	1
3 (B)	1 505 306 M1	Packing, Dust, Throttle Lever.....	1
4 (B)	15 489 A	Retainer, Dust Packing.....	1
5 (B)	15 467 A	Cup, Throttle Lever Hole.....	1
6	1 751 210 M1	Screw, Adjusting, Throttle Lever Stop.....	1
7	1 751 211 M1	Spring, Adjusting Screw.....	1
8 (B)	15 470 A	Needle, Idle Adjusting.....	1
9 (B)	15 471 A	Spring, Idle Adjusting Needle.....	1
10	1 751 226 M91	Needle Assembly, Main Adjusting.....	1
11 (B)	15 472 A	Spring, Main Adjusting Needle.....	1
12	15 474 A	Washer, Main Adjusting Needle.....	1
13 (A,C)	15 473 A	Gasket, Main Adjusting Needle.....	1
14	1 751 212 M91	Strainer Assembly, Fuel.....	1
15	15 490 A	Disc, Throttle.....	1
16	29 981 X	Screw, Throttle Disc.....	2
17 (B)	15 469 A	Jet, Idle.....	1
22 (B)	15 479 A	Valve Assembly, Float Control.....	1
23 (A,C)	14 856 A	Gasket, Valve.....	1
24	29 980 X	Screw, Body to Bowl.....	4
25	15 480 A	Float Assembly.....	1
26 (B)	15 481 A	Pin, Float Pivot.....	1
27 (A,C)	15 462 A	Gasket, Bowl.....	1
28	17 767 A	Venturi.....	1
29	1 751 334 M1	Nozzle, Main (Order 1751 222 M1).....	1
30 (A,C)	14 846 A	Gasket, Main Nozzle.....	1
31	1 751 326 M91	Shaft Assembly, Choke.....	1
32 (B)	15 443 A	Retainer, Choke Shaft.....	1
33 (B)	15 442 A	Packing, Dust, Choke Shaft.....	1
34	1 751 208 M1	Spring, Choke Shaft.....	1
35	760 471 M91	Disc Assembly, Choke.....	1
36 (B)	29 981 X	Screw, Choke Disc.....	2
37	367 188 X1	Plug, Bowl Drain.....	1
	835 544 M91	Gasket Kit (Incl. All Items Marked "A")(For Repair Order 836611 M91)	1
	830 504 M92	Carbureter Repair Kit (Incl. All Marked "B").....	1
	(B) 1 751 221 M91	Shaft Assembly.....	1
	(B) 836 611 M91	Gasket Kit (Incl. All Marked "C").....	1
	14 864 A	Gas Bowl Plug.....	1
40	181 531 M2	Gasket, Carbureter to Manifold.....	1
41	195 550 M1	Stud (5/16" NC x 1-3/16").....	2
42	195 549 M1	Washer (5/16" Int. Skpf.).....	2
43	355 565 X1	Nut (5/16" NC, Hex.).....	2

CARBURETER

F100-1



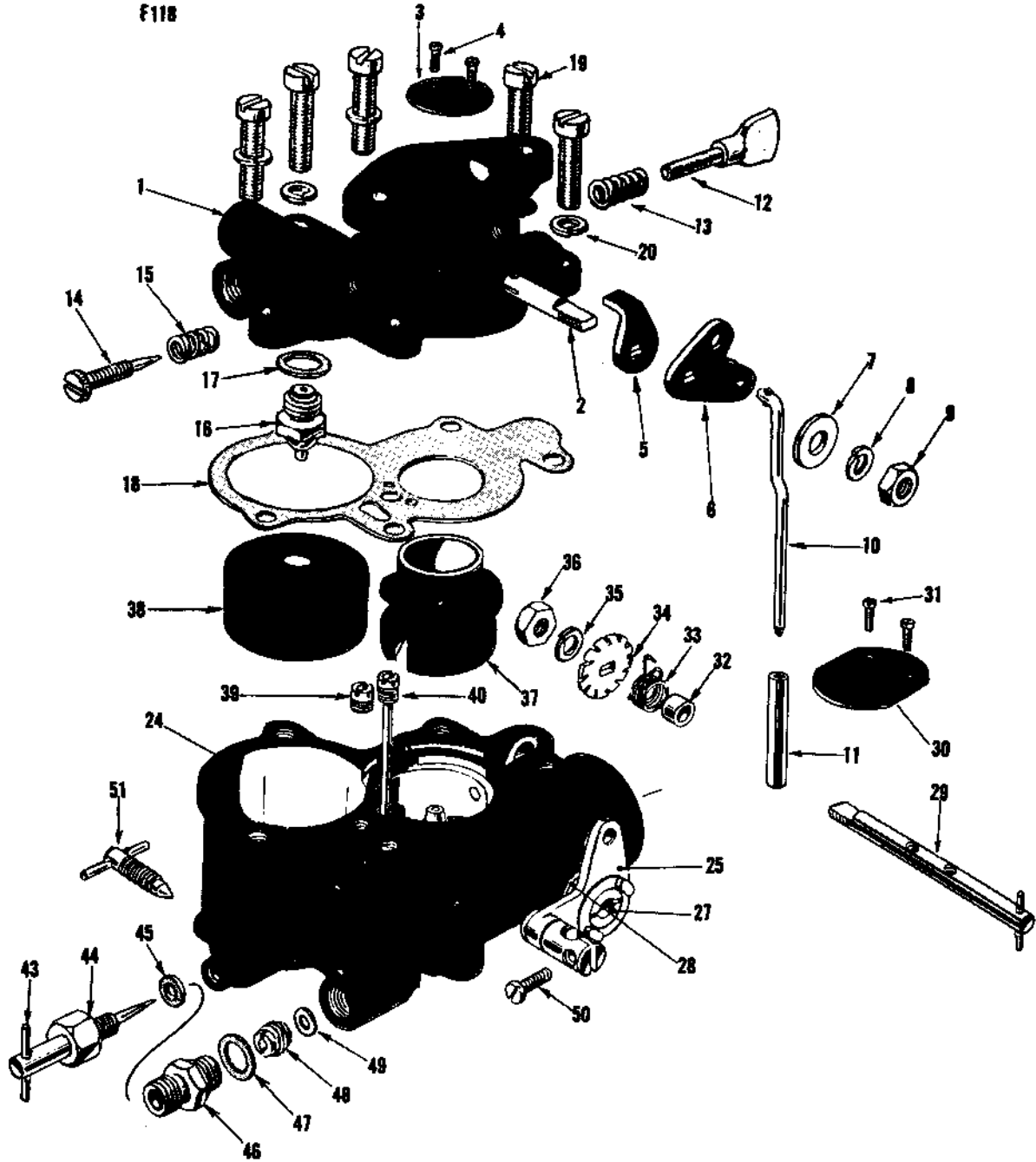
CARBURETER

(TO 20 AND TE 20)

<u>Ref. No.</u>	<u>Part No.</u>	<u>Description</u>	<u>No. Req.</u>
1 (A)	181 643 M91	Carbureter Assembly (Marvel-Schebler TSX-361A).....	1
2	1 505 306 M1	Seal, Dust, Throttle Shaft.....	1
3	15 489 A	Retainer, Dust Seal.....	1
	15 467 A	Cup, Throttle Shaft Hole.....	1
5	1 751 207 M91	Shaft Assembly, Throttle.....	1
6	1 751 210 M1	Screw, Throttle Adjusting.....	1
7	1 751 211 M1	Spring, Adjusting Screw.....	1
8	15 490 A	Disc, Throttle.....	1
9	29 981 X	Screw, Throttle Disc.....	2
10	15 470 A	Needle, Idle Adjusting.....	1
11	15 471 A	Spring, Idle Adjusting Needle.....	1
12	1 751 226 M91	Needle, Main Adjusting.....	1
13	15 472 A	Spring, Main Adjusting Needle.....	1
14	15 474 A	Washer, Main Adjusting Needle (Fiber).....	1
15 (B)	15 473 A	Gasket, Main Adjusting Needle.....	1
16	15 479 A	Valve Assembly, Fuel.....	1
17 (B)	15 856 X	Gasket, Fuel Valve.....	1
18	1 751 212 M91	Elbow Assembly, w/Strainer.....	1
19	1 751 225 M1	Jet, Idle.....	1
20	29 980 X	Screw, Body to Bowl.....	4
25 (B)	15 462 A	Gasket, Bowl.....	1
26	1 751 322 M1	Venturi.....	1
27	15 480 A	Float Assembly.....	1
28	15 481 A	Pin, Float Pivot.....	1
29	1 751 326 M91	Shaft Assembly, Choke.....	1
30	760 471 M91	Disc Assembly, Choke.....	1
31	29 981 X	Screw, Choke Disc.....	2
32	15 442 A	Seal, Dust, Choke Shaft.....	1
33	15 443 A	Retainer, Dust Seal.....	1
34	1 751 208 M1	Spring, Choke Lever Return.....	1
35	1 751 323 M1	Nozzle, Main.....	1
36 (B)	15 459 A	Gasket, Main Nozzle.....	1
37	1 751 325 M1	Jet, Power.....	1
38	367 188 X1	Plug, Drain.....	1
(C)	835 544 M91	Gasket Kit (Incl. All Items Marked "B").....	1
42	181 531 M2	Gasket, Carbureter to Manifold.....	1
43	195 550 M1	Stud (5/16" NC x 1-3/16").....	2
44	195 549 M1	Washer (5/16" Int. Skpf.).....	2
45	355 565 X1	Nut (5/16" NC, Hex.).....	2
	830 483 M91	Carbureter Repair Kit.....	1

Notes: (A) - For repair order 517 903 M91.
 (C) - For repair order 836 611 M91.

CARBURETER



CARBURETER

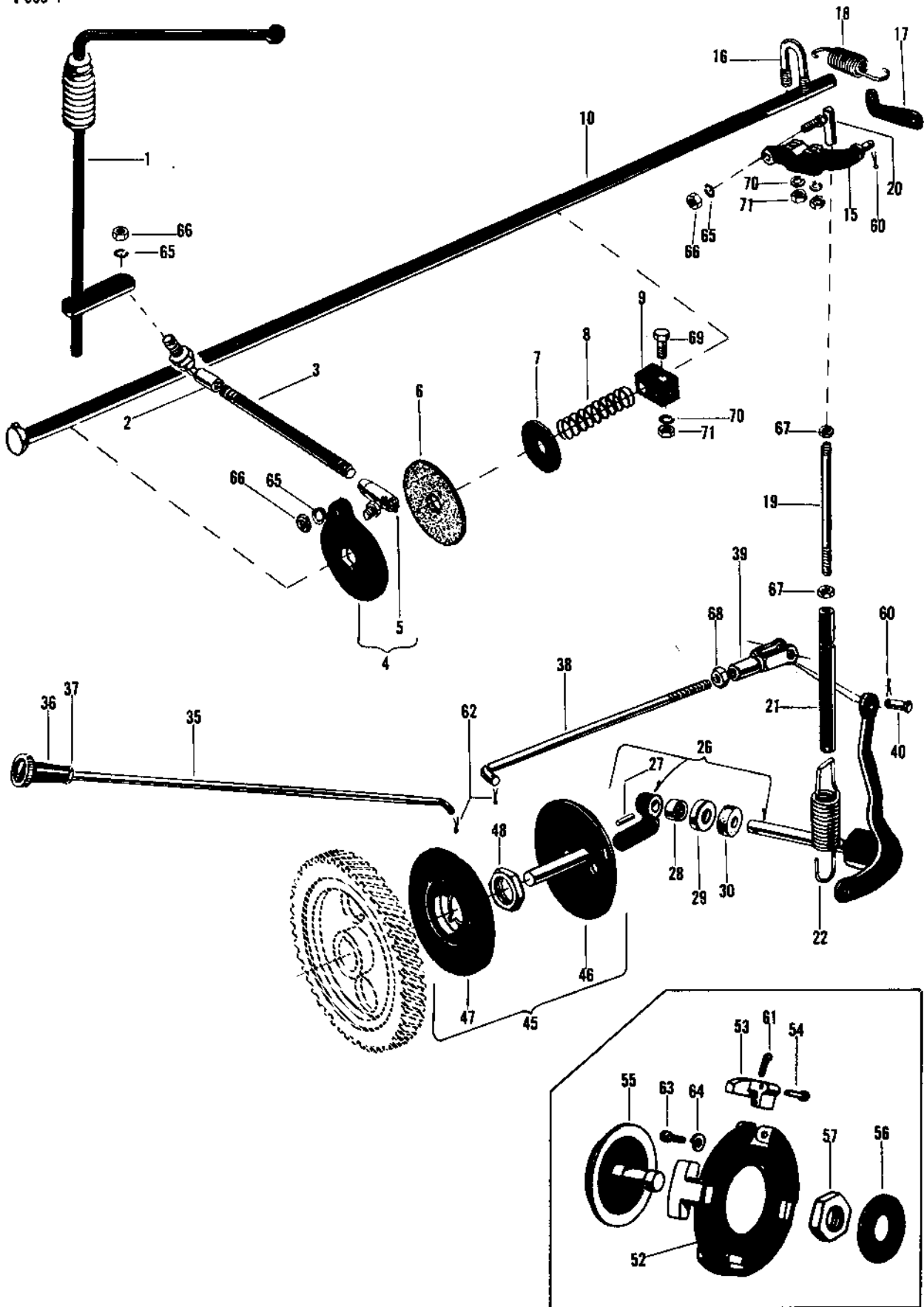
(TE-A20)

Ref. No.	Part No.	Description	80 MM	85 MM
	825 449 M91	Carbureter Assembly (Zenith #1264).....	-	1
	825 448 M91	Carbureter Assembly (Zenith #1201)(Order 825 449 M91).....	1	-
1	825 488 M1	Barrel, Carbureter.....	-	1
1 (A)	825 475 M1	Barrel, Carbureter.....	1	-
1 (B)	825 223 M91	Barrel Assembly, Carbureter.....	1	-
2	825 225 M1	Spindle, Throttle.....	1	1
3	825 224 M1	Disc, Throttle.....	1	1
4	825 226 M1	Screw, Throttle Disc.....	2	2
5	825 227 M1	Stop, Throttle.....	1	1
6	825 228 M1	Lever, Throttle.....	1	1
7	825 229 M1	Washer, Spindle Spacing.....	1	1
8	825 272 M1	Washer, Lock.....	1	1
9	49 612 X	Nut, Throttle Lever Retaining.....	1	1
10	825 250 M1	Rod, Interconnection.....	1	1
11	825 249 M1	Tube, Interconnection.....	1	1
12	825 230 M1	Screw, Throttle Stop Adjustment.....	1	1
13	825 231 M1	Spring, Stop Screw.....	1	1
14	825 232 M1	Needle, Idle Adjustment.....	1	1
15	825 233 M1	Spring, Idle Needle.....	1	1
16	825 234 M91	Valve Assembly.....	1	-
16	825 492 M91	Valve Assembly.....	-	1
17	825 235 M1	Washer, Valve.....	x	x
18	825 238 M1	Gasket, Barrel to Bowl.....	1	1
19 (A)	825 474 M1	Screw, Barrel to Bowl.....	5	-
19 (B)	825 239 M1	Screw, Barrel to Bowl.....	5	5
20	825 272 M1	Washer, Lock.....	5	5
24	825 489 M1	Bowl, Carbureter.....	-	1
24 (A)	825 477 M1	Bowl, Carbureter.....	1	-
24 (B)	825 243 M1	Bowl, Carbureter.....	1	-
25	825 490 M91	Choke Assembly.....	-	1
25	825 240 M91	Choke Assembly.....	1	-
27	825 242 M1	Bearing, Choke.....	1	1
28	825 241 M1	Spring, Choke.....	1	1
29 (A)	825 476 M91	Spindle Assembly, Choke.....	1	-
29 (B)	825 244 M91	Spindle Assembly, Choke.....	1	1
30	825 245 M1	Disc, Choke.....	1	1
31	825 226 M1	Screw, Choke Disc.....	2	2
32	825 246 M1	Sleeve, Spindle.....	1	1
33	825 247 M1	Spring, Spindle.....	1	1
34	825 248 M1	Plate, Spring Anchor.....	1	1
35	825 272 M1	Washer, Lock.....	1	1
36	49 612 X	Nut, Choke Spindle Retaining.....	1	1
37	825 237 M1	Venturi (17 MM).....	x	x
37	825 284 M1	Venturi (18 MM).....	x	x
38	825 236 M1	Float.....	1	1
39	825 268 M1	Jet, Air.....	1	1
40	825 267 M1	Tube, Idle Jet.....	1	1
	825 493 M91	Needle Assembly, High Speed Adjusting.....	-	1
(A)	825 480 M91	Needle Assembly, High Speed Adjusting (Order 825 493 M91).....	1	-
(B)	825 265 M91	Needle Assembly, High Speed Adjusting.....	1	-
43 (A)	825 491 M91	Needle, High Speed Jet.....	1	1
43 (B)	825 254 M1	Needle, High Speed Jet.....	1	-
44	825 256 M1	Nut, Packing Retaining.....	1	1
45	825 255 M1	Packing, Needle.....	1	1
46	825 273 M1	Adapter, Needle.....	1	1
47 (A)	825 478 M1	Washer, Adapter.....	1	-
47 (B)	825 266 M1	Washer, Adapter.....	1	1
48 (A)	1 883 858 M1	Jet, Main.....	1	1
48 (B)	825 252 M1	Jet, Main.....	1	-
49	825 253 M1	Washer, Main Jet.....	1	1
50	825 251 M1	Screw, Interconnection.....	1	1
51	825 269 M1	Plug, Fuel Drain.....	1	1

Notes: (A) - Used Engine Serial No. S22666E and up.
 (B) - Used prior to Engine Serial No. S22666E.

THROTTLE, CHOKE, GOVERNOR

F 335-1



THROTTLE AND CHOKE

(TO AND TE MODELS)

Ref. No.	Part No.	Description	No. Req.
1	181 671 M91	Lever Assembly, Throttle.....	1
2	187 688 M1	Ball Joint (at Lever).....	1
3	181 672 M1	Rod, Throttle Linkage (1/4" NF x 3-1/16").....	1
4	180 711 M91	Plate Assembly, Throttle.....	1
5	180 687 M1	Ball Joint, Throttle Rod.....	1
6	180 713 M2	Washer, Friction (7/16 x 2-1/2 x 1/8" Cork).....	1
7	180 714 M1	Washer, Spring Retaining (15/32 x 1-1/2 x 7/64").....	1
8	180 689 M1	Spring, Throttle Rod.....	1
9	180 710 M1	Clamp, Throttle Rod.....	1
10	180 703 M1	Rod, Throttle.....	1
15	181 536 M1	Rocker, Governor Linkage.....	1
16	181 537 M1	"U" Bolt, Rod to Rocker.....	1
17	181 533 M1	Link, Compensator Spring.....	1
18	181 535 M1	Spring, Compensator.....	1
19	181 567 M1	Rod, Governor Lever Arm.....	1
20	187 688 M1	Ball Joint, Rod to Rocker.....	1
21	180 693 M1	Plunger, Throttle Control.....	1
22	180 088 M1	Spring, Plunger to Lever.....	1
26	1 750 211 M91	Lever Assembly, Governor Shaft.....	1
27	1 750 358 M1	Pin, Rocker Shaft (5/32 x 3/4" Groove).....	1
28	1 750 100 M1	Bearing, Needle.....	2
29	1 750 108 M1	Seal, Oil (7/16 x 1 x 3/8").....	1
30	1 750 103 M1	Seal, Dust (7/16 x 1 x 1/4" Felt).....	1
35	182 143 M1	Rod, Choke Control.....	1
36	193 346 M1	Knob, Choke Control Rod.....	1
37	358 990 X1	Nut, Choke Control Rod.....	1
38	181 534 M2	Rod, Carbureter to Governor.....	1
39	195 551 M1	Clevis, Governor Rod.....	1
40	354 187 X1	Pin, Clevis.....	1

GOVERNOR (TO 30)

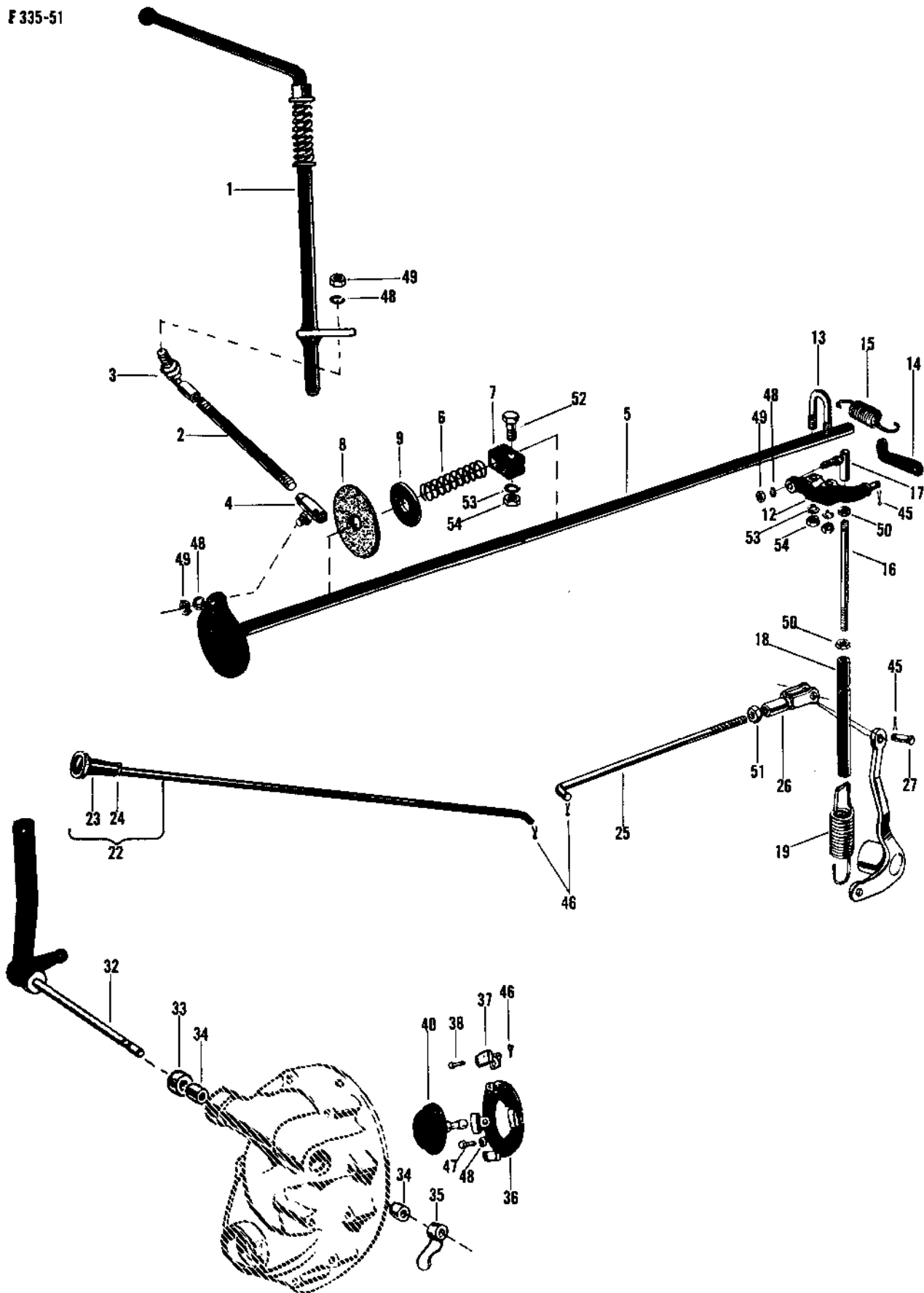
45	1 002 849 M91	Governor Assembly (Order 529 737 M91).....	1
46	1 002 867 M91	Cup Assembly, Governor, w/Shaft.....	1
47	1 002 785 M91	Driver Assembly, Governor (Order 529 737 M91).....	1
48	1 500 098 M1	Nut, Lock, Governor Driver.....	1

(TO 20 AND TE 20)

52	1 500 062 M1	Plate, Governor.....	1
53	1 500 054 M11	Weight, Governor.....	4
54	1 500 107 M2	Pin, Weight Retaining.....	4
55	761 647 M91	Cup Assembly, Governor, w/Shaft.....	1
56	1 500 101 M1	Washer (57/64 x 1-3/8 x 3/64").....	1
57	1 500 098 M1	Nut, Lock.....	1
60	354 039 X1	Cotter Pin (1/16 x 1/2").....	x
61	354 041 X1	Cotter Pin (1/16 x 3/4").....	x
62	354 046 X1	Cotter Pin (3/32 x 1/2").....	x
63	353 980 X1	Screw (#10 - 24 x 3/8" Rd, Hd.).....	x
64	353 445 X1	Washer (#10 Lock).....	x
65	353 441 X1	Washer (1/4" Lock).....	x
66	353 919 X1	Nut (1/4" NC, Half Hex.).....	x
67	355 564 X1	Nut (1/4" NC, Hex.).....	x
68	353 918 X1	Nut (1/4" NF, Hex.).....	x
69	354 390 X1	Bolt (5/16 x 15/16" NF, Hex.).....	x
70	353 446 X1	Washer (5/16" Lock).....	x
71	353 916 X1	Nut (5/16" NF, Hex.).....	x

THROTTLE AND CHOKE, GOVERNOR

F 335-51



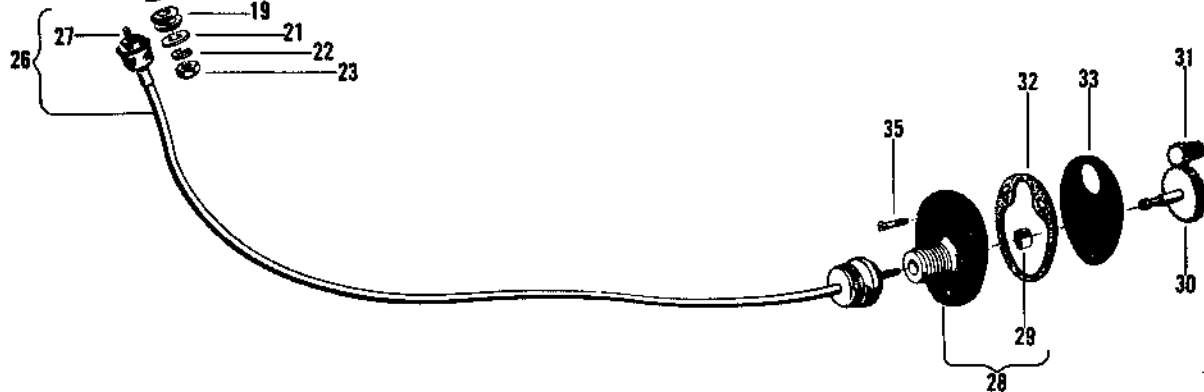
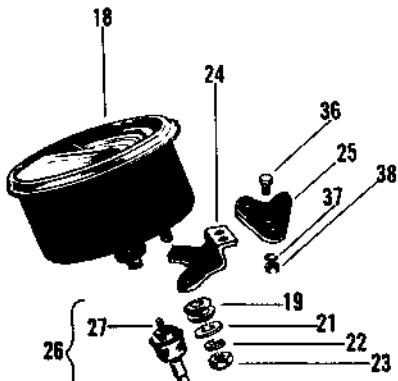
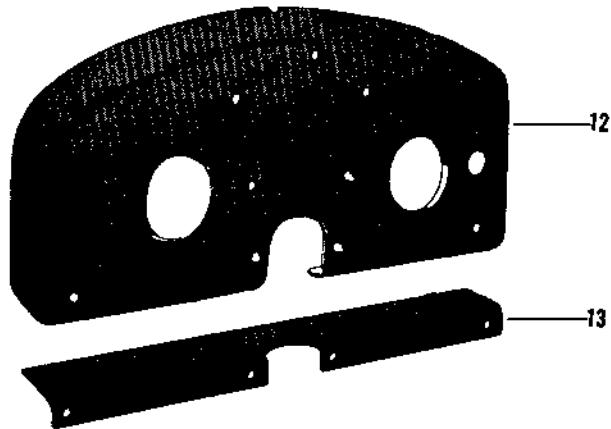
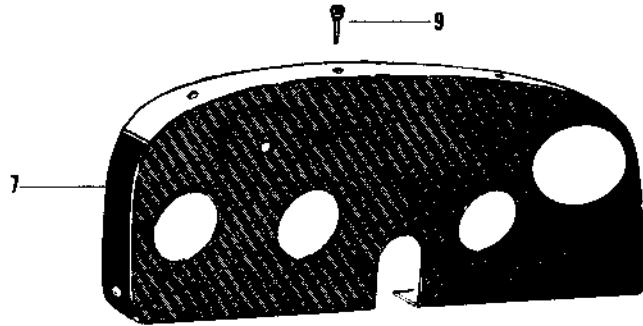
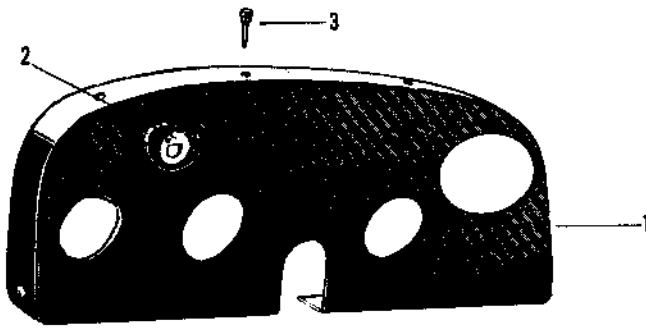
THROTTLE, CHOKE, GOVERNOR

(TE-A MODELS)

Ref. No.	Part No.	Description	80	85
			MM	MM
1 (A)	825 072 M91	Lever Assembly, Throttle.....	-	1
1 (B)	181 671 M91	Lever Assembly, Throttle.....	1	1
2 (C)	825 419 M91	Stud Assembly, Connecting.....	-	1
(C)	825 418 M1	Pin, Stud.....	-	1
(C)	825 417 M1	Pin, Stud.....	-	1
2 (D)	825 067 M91	Stud Assembly, Connecting.....	-	1
2 (B)	181 872 M91	Stud Assembly, Connecting.....	1	1
3 (B)	181 874 M1	Joint, Ball (at Lever).....	1	1
4 (B)	181 873 M1	Joint, Ball (at Rod).....	1	1
5 (C)	825 021 M91	Rod Assembly, Throttle.....	-	1
5 (D)	825 054 M91	Rod Assembly, Throttle (Order 1 - 825 021 M91, 1 - 825 419 M91, 1 - 375 107 X1 & 2 - 353 441 X1.....	-	1
5 (B)	825 017 M91	Rod Assembly, Throttle.....	1	1
6	180 689 M1	Spring, Throttle Rod.....	1	1
7	180 710 M1	Clamp, Spring Retaining.....	1	1
8	180 713 M2	Washer, Friction (7/16 x 2-1/2 x 1/8" Cork).....	1	1
9	180 714 M1	Washer, Spring Retaining (15/32 x 1-1/2 x 7/64").....	1	1
12	825 061 M1	Rocker, Governor Linkage.....	1	1
13	181 537 M1	"U" Bolt, Rod to Rocker.....	1	1
14	181 533 M1	Link, Compensator Spring.....	1	1
15	825 033 M1	Spring, Governor Linkage.....	1	1
16	825 008 M1	Rod, Governor Lever Arm.....	1	1
17	187 688 M1	Joint, Ball, Rod to Rocker.....	1	1
18 (A)	825 034 M1	Plunger, Throttle Control.....	-	1
18 (B)	180 093 M1	Plunger, Throttle Control.....	1	1
19 (A)	825 037 M1	Spring, Plunger to Lever.....	-	1
19 (B)	825 000 M1	Spring, Plunger to Lever.....	1	1
22	825 060 M91	Rod Assembly, Choke Control.....	1	1
23	193 346 M1	Knob, Choke Rod.....	1	1
24	358 990 X1	Nut, Lock, Choke Rod.....	1	1
25 (A)	825 406 M1	Rod, Carbureter to Governor.....	-	1
25 (B)	825 211 M1	Rod, Carbureter to Governor.....	1	1
26	825 212 M1	Clevis, Governor Rod.....	1	1
27	354 189 X1	Pin, Clevis.....	1	1
32 (A)	825 808 M91	Lever Assembly, Governor Shaft (Order 825 403 M91).....	-	1
32 (B)	825 709 M91	Lever Assembly, Governor Shaft.....	1	1
33	825 154 M1	Seal, Dust.....	1	1
34	1 750 100 M1	Bearing, Needle.....	2	2
35 (A)	825 404 M1	Arm, Rocker, Governor.....	-	1
35 (B)	825 189 M1	Arm, Rocker, Governor.....	1	1
36	825 155 M1	Plate, Governor Weight Anchor.....	1	1
37	825 156 M91	Weight Assembly, Governor.....	4	4
38	1 500 107 M2	Pin, Weight Retaining.....	4	4
	825 297 M1	Washer, Weight Pin.....	4	4
40	825 157 M91	Cup Assembly, Governor, w/Weight.....	1	1
45	354 039 X1	Cotter Pin (1/16 x 1/2").....	x	x
46	354 046 X1	Cotter Pin (3/32 x 1/2").....	x	x
47	353 500 X1	Bolt (1/4 x 3/8" NF, Hex.).....	x	x
48	353 441 X1	Washer (1/4" Lock).....	x	x
49	353 919 X1	Nut (1/4" NC, Half Hex.).....	x	x
50	355 564 X1	Nut (1/4" NC, Hex.).....	x	x
51	353 918 X1	Nut (1/4" NF, Hex.).....	x	x
52	354 390 X1	Bolt (5/16 x 15/16" NF, Hex.).....	x	x
53	353 446 X1	Washer (5/16" Lock).....	x	x
54	353 916 X1	Nut (5/16" NF, Hex.).....	x	x

Notes: (A) - Used Tractor Serial No. 200001 and up.
 (B) - Used prior to Tractor Serial No. 200001.
 (C) - Used Tractor Serial No. 327892 and up.
 (D) - Used Tractor Serial Nos. 200001 thru 327891.

F102-1



INSTRUMENT PANELS

(TO 30)

Ref. No.	Part No.	Description	No. Req.
1	181 362 M91	Panel Assembly, Instrument.....	1
2	181 389 M1	Plate, Ignition Switch Index.....	1
3	180 673 M1	Bumper, Instrument Panel (Rubber).....	4

(TO 20 AND TE 20)

7	181 361 M91	Panel Assembly, Instrument.....	1
	195 752 M1	Plug (1/2" Button Type).....	1
	195 223 M1	Plug (2-9/16" Button Type).....	1
9	180 673 M1	Bumper, Instrument Panel (Rubber).....	4

(TE-A20)

12	825 036 M91	Panel Assembly, Instrument.....	1
13	825 610 M1	Support, Instrument Panel.....	1
	825 716 M1	Seal, Instrument Panel (Rubber).....	1

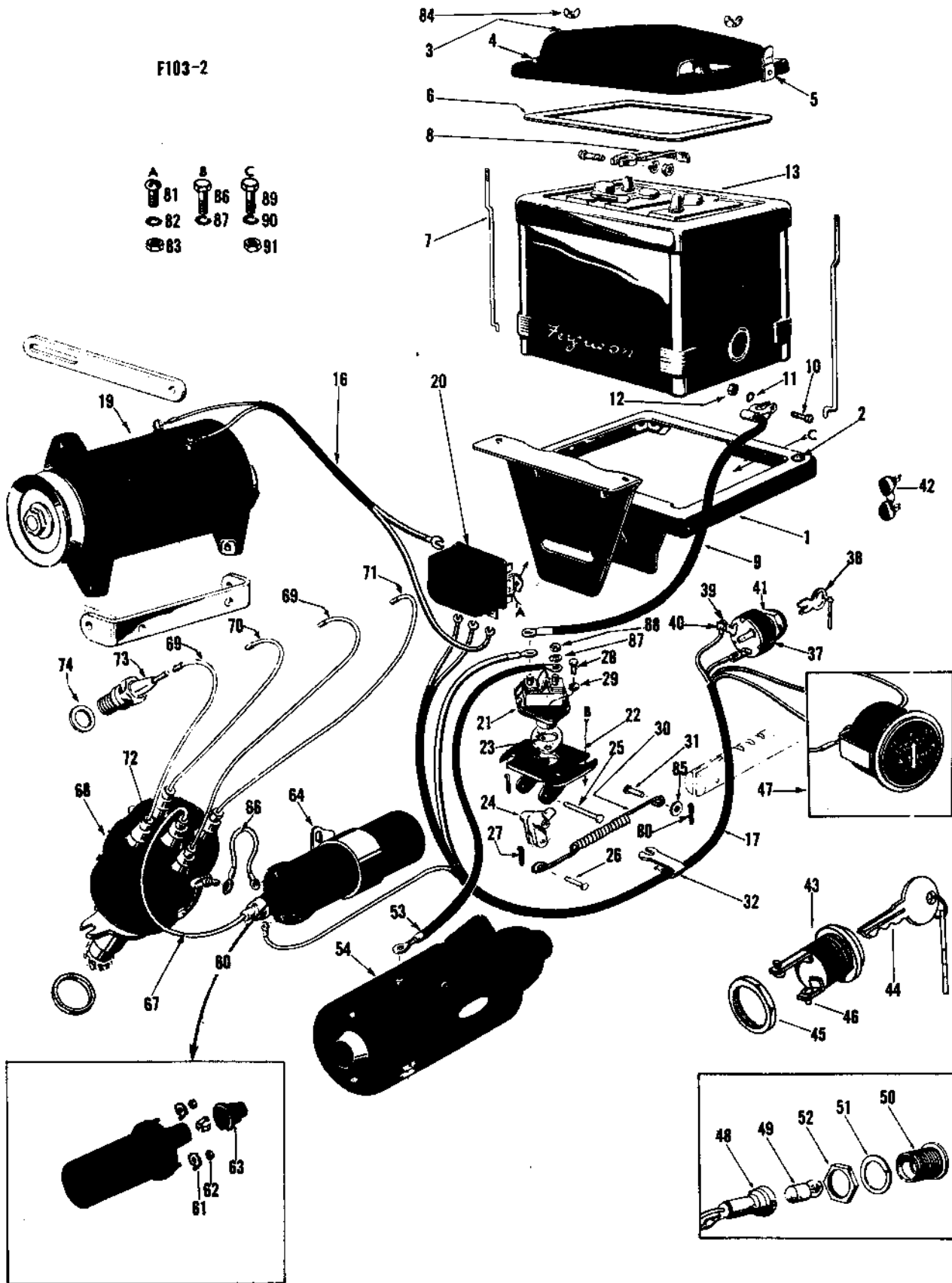
TRACTORMETER

(TO 30 AND TO 20)

18	1 751 314 M91	Tractormeter Assembly.....	1
19	1 751 292 M1	Grommet.....	2
	1 751 313 M1	Spacer.....	2
21	353 753 X1	Washer (3/16" Small Flat).....	2
22	353 445 X1	Washer (3/16" Lock).....	2
23	358 990 X1	Nut (3/16" NF, Hex.).....	2
24	1 751 312 M1	Bracket, Mounting.....	1
25	1 751 311 M1	Plate, Base.....	1
26	183 497 M91	Shaft Assembly, Tractormeter Drive.....	1
27	1 751 307 M91	Cable, Flexible (Inner).....	1
28	1 751 295 M91	Housing Assembly.....	1
29	835 086 M1	Bearing, Needle.....	1
30	1 751 301 M92	Gear Assembly, Driven.....	1
31	1 751 304 M1	Pinion, Drive.....	1
32	1 751 298 M1	Gasket, Plate.....	1
33	1 751 299 M91	Plate Assembly, Housing.....	1
	183 499 M1	Clip, Cable Retaining.....	1
35	354 204 X1	Screw (5/32 x 7/8" Flat Hd.).....	3
36	353 503 X1	Bolt (1/4 x 3/4" NF, Hex.).....	2
37	353 441 X1	Washer (1/4" Lock).....	2
38	353 918 X1	Nut (1/4" NF, Hex.).....	2

ELECTRICAL WIRING

F103-2



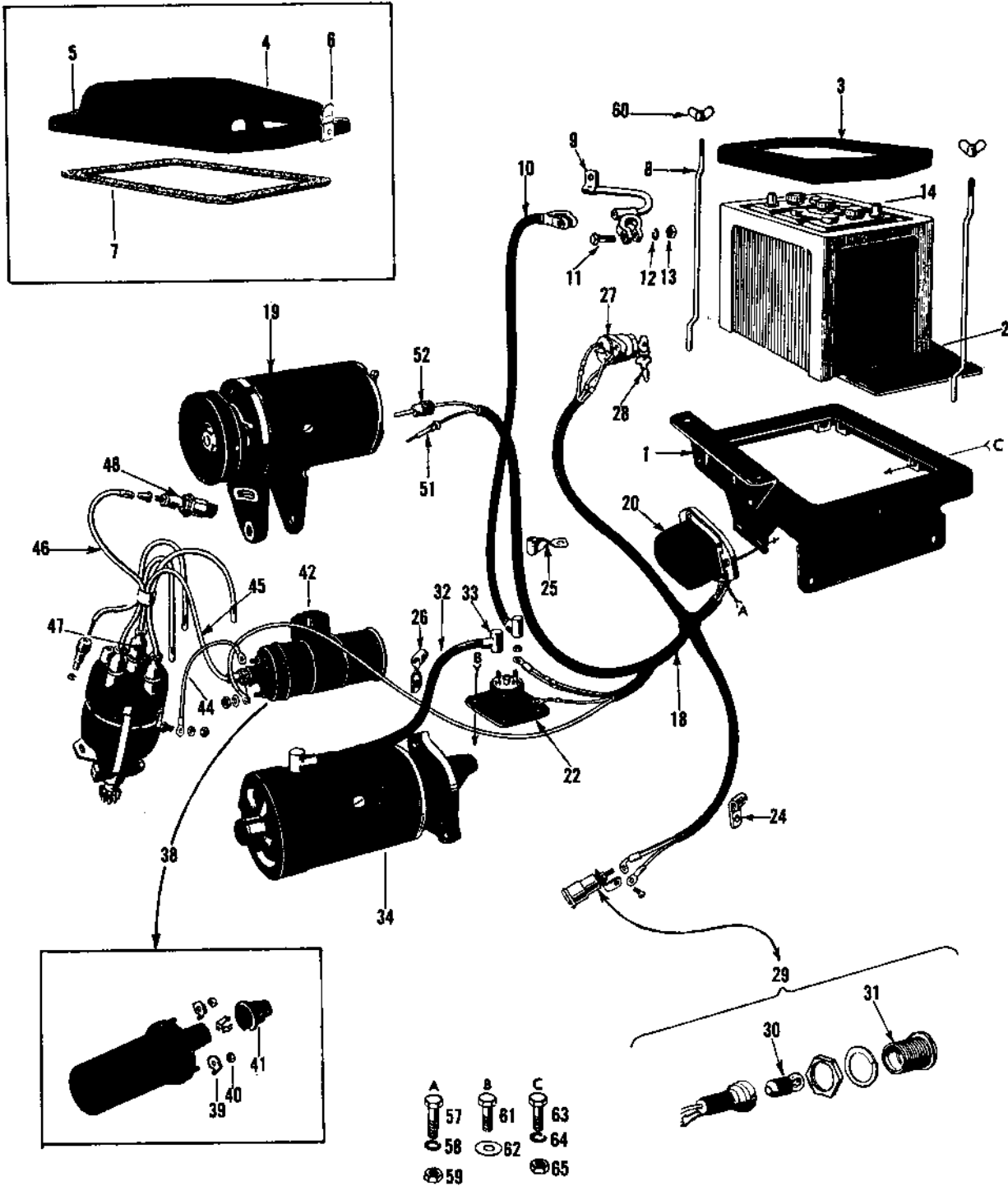
ELECTRICAL WIRING

59

(TO 30 AND TO 20)

Ref. No.	Part No.	Description	No. Req.
1	181 391 M91	Platform Assembly, Battery.....	1
2	195 735 M1	Grommet.....	1
3	181 711 M91	Cover Assembly, Battery	1
4	181 678 M1	Pin, Hinge.....	1
5	181 712 M1	Clip, Cover Catch.....	1
6	181 677 M1	Gasket, Cover.....	1
7	181 676 M1	Bolt, Battery Hold Down.....	2
8	180 165 M91	Strap Assembly, Ground (Incl. Items 10 thru 12).....	1
9	180 166 M92	Cable Assembly, Battery to Starter Switch.....	1
10	180 169 M1	Bolt, Terminal Clamp.....	1
11	181 697 M1	Washer, Lock.....	1
12	180 296 M1	Nut, Clamp Bolt.....	1
13	832 696 M2	Battery (Dry).....	1
16	181 700 M91	Harness Assembly, Generator (TO 30).....	1
17	181 699 M91	Harness Assembly, Main (TO 30).....	1
	181 701 M91	Harness Assembly, Complete (TO 20).....	1
19		Generator Assembly (See Page 69).....	1
20	180 142 M92	Regulator Assembly, Voltage.....	1
	181 875 M91	Switch Assembly, Starter (Order 829 960 M91).....	1
21	181 679 M1	Switch, Starter.....	1
22	181 680 M91	Plate Assembly, Switch Mounting.....	1
23	181 681 M1	Gasket, Plate.....	1
24	181 683 M1	Lever, Toggle.....	1
25	195 237 M1	Pin, Clevis (1-27/32" Long).....	1
26	195 235 M1	Pin, Clevis (7/8" Long).....	1
27	354 046 X1	Cotter Pin (3/32 x 1/2").....	2
28	353 500 X1	Bolt (1/4 x 3/8" NF, Hex.).....	2
29	353 441 X1	Washer (1/4" Lock).....	2
30	181 682 M1	Link, Starter Switch.....	1
31	195 235 M1	Pin, Clevis (1-3/32" Long).....	1
32	181 698 M1	Support, Main Wire Harness.....	1
37	180 681 M93	Switch Assembly, Ignition.....	1
38	180 292 M1	Key, Switch (Order 192 427 M1).....	2
39	353 975 X1	Screw, Terminal.....	3
40	180 231 M1	Clip, Terminal.....	3
41	180 293 M1	Nut, Switch Retaining.....	1
42	192 427 M1	Key, Ignition (Must be ordered as separate item).....	2
43	181 383 M91	Switch Assembly, Ignition.....	1
44	181 384 M1	Key, Switch.....	2
45	181 385 M1	Nut, Switch Retaining.....	1
46	358 678 X1	Screw, Terminal (#6 - 32 x 1/4" Rd. Hd.).....	2
47	515 521 M91	Ammeter Assembly.....	1
48	181 387 M91	Socket Assembly, Discharge Indicator (TO 20).....	1
49	22 708 X	Bulb, Discharge Indicator (TO 20).....	1
50	181 386 M91	Lens Assembly, Indicator (TO 20).....	1
51	181 380 M1	Washer, Lens Lock (TO 20).....	1
52	181 381 M1	Nut, Lens Retaining (TO 20).....	1
53	180 099 M91	Cable Assembly, Starter Switch to Starter.....	1
54		Starter Assembly (See Page 73).....	1
60	181 542 M91	Coil Assembly, Ignition (Order 1024 481 M91).....	1
61	1 750 501 M1	Clip, Terminal.....	2
62	358 990 X1	Nut, Terminal Clip Retaining.....	2
63	181 543 M1	Nipple, Hi-Tension Wire.....	1
64	1 750 500 M1	Bracket, Coil Mounting.....	1
	1 024 262 M1	Screw, Bracket.....	1
66	181 562 M1	Wire Assembly, Coil to Distributor (Lo-Tension).....	1
67	181 602 M91	Wire Assembly, Coil to Distributor (Hi-Tension).....	1
68		Distributor Assembly (See Page 65).....	1
69	181 604 M91	Wire Assembly, No. 1 & No. 3 Spark Plugs (9-3/4" Lg.) (Incl. Item 72).....	2
70	181 605 M91	Wire Assembly, No. 2 Spark Plug (7-1/2" Long) (Incl. Item 72).....	1
71	181 603 M91	Wire Assembly, No. 4 Spark Plug (11-1/2" Long) (Incl. Item 72).....	1
72	181 551 M1	Nipple, Distributor Wires.....	1
73	184 245 M91	Spark Plug Assembly (Std.) (Order 834 242 M1).....	4
73	181 563 M91	Spark Plug Assembly (Hot) (Order 834 243 M1).....	4
73	181 547 M91	Spark Plug Assembly (Cold).....	4
74	180 474 M1	Gasket, Spark Plug.....	1
80	354 046 X1	Cotter Pin (3/32 x 1/2").....	x
81	353 988 X1	Screw (1/4 x 1/2" NC, Rd. Hd.).....	x
82	353 441 X1	Washer (1/4" Lock).....	x
83	355 564 X1	Nut (1/4" NC, Hex.).....	x
84	355 582 X1	Nut (1/4" NF, Wing).....	x
85	353 755 X1	Washer (5/16" Small Flat).....	x
86	353 689 X1	Bolt (3/8 x 3/4" NC, Hex.).....	x
87	353 434 X1	Washer (3/8" Lock).....	x
88	354 123 X1	Nut (3/8" NC, Hex.).....	x
89	353 557 X1	Bolt (7/16 x 3/4" NF, Hex.).....	x
90	353 432 X1	Washer (7/16" Lock).....	x
91	353 426 X1	Nut (7/16" NF, Hex.).....	x

F119-1



ELECTRICAL WIRING

61

(6 VOLT)

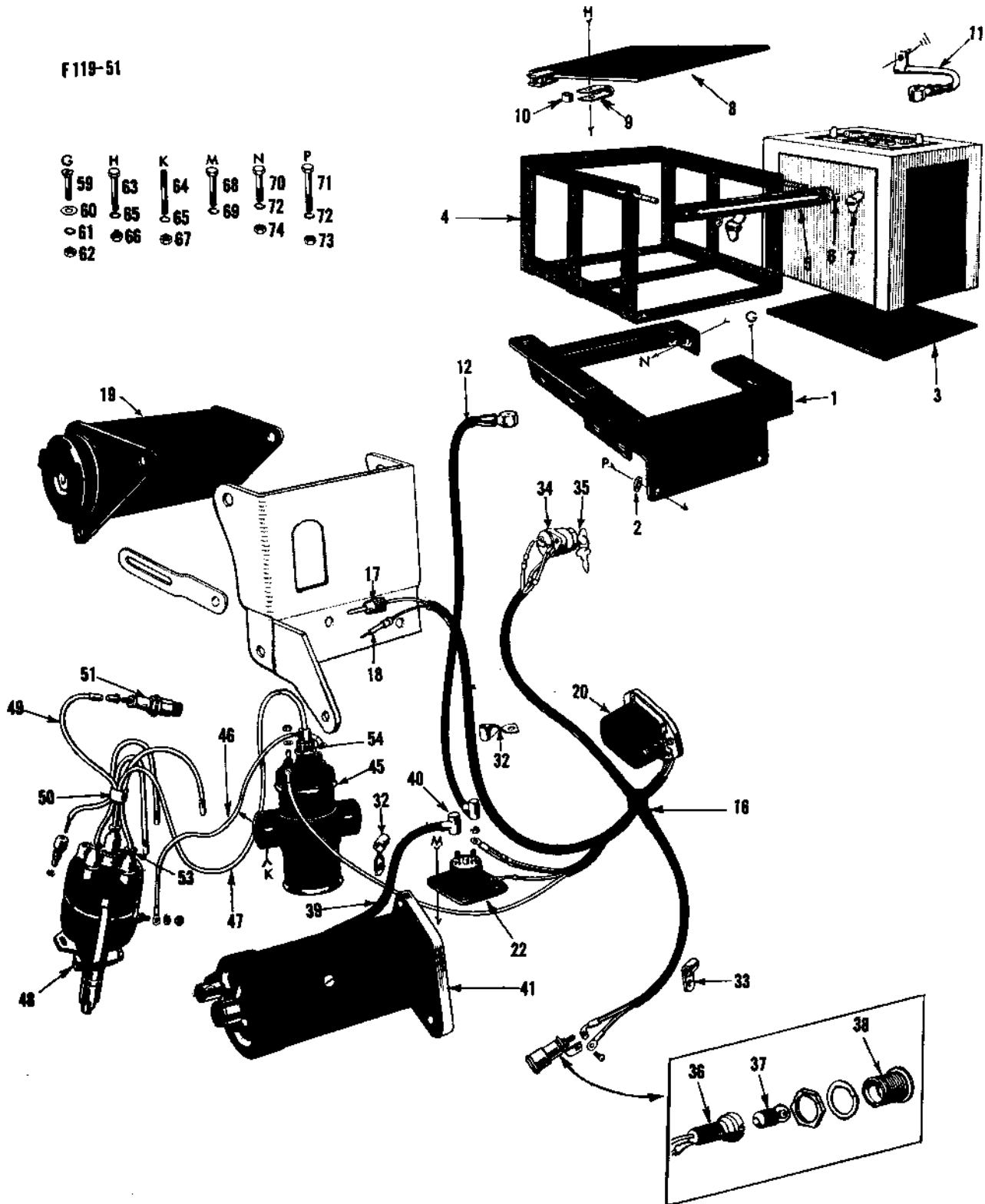
(TE 20 AND TE-A20 MODELS)

Ref. No.	Part No.	Description	TE 20	80 MM	85 MM
1	825 626 M91	Platform Assembly, Battery.....	1	1	1
2	825 057 M1	Mat, Battery.....	1	1	1
3	825 058 M1	Cover, Battery.....	-	1	1
4	181 711 M91	Cover Assembly, Battery.....	1	-	-
5	181 678 M1	Pin, Cover Hinge.....	1	-	-
6	181 712 M1	Clip, Cover Catch.....	1	-	-
7	181 677 M1	Gasket, Cover.....	1	1	1
8	181 676 M1	Bolt, Battery Hold Down.....	2	2	2
9	180 165 M91	Strap Assembly, Ground (Incl. Items 11 thru 13).....	1	1	1
10 (A)	829 941 M1	Cable Assembly, Battery to Starter Switch.....	-	1	1
10	180 166 M92	Cable Assembly, Battery to Starter Switch.....	1	-	-
11	180 169 M1	Bolt, Cable Terminal.....	1	1	1
12	181 697 M1	Washer, Lock.....	1	1	1
13	180 296 M1	Nut, Cable Bolt.....	1	1	1
14	832 696 M2	Battery (Dry).....	1	1	1
18	829 975 M91	Harness Assembly, Wire.....	1	1	1
19		Generator Assembly (See Page 71).....	1	1	1
20	829 855 M91	Regulator Assembly, Voltage.....	1	1	1
	829 866 M1	Sleeve, Wire Attaching (to Regulator).....	4	4	4
22	829 960 M91	Switch Assembly, Starter.....	1	1	1
	825 516 M1	Lever, Switch Toggle.....	1	1	1
24	181 698 M1	Support, Wire Harness.....	1	1	1
25	825 009 M1	Clip, Wire Harness.....	-	1	1
26	825 865 M91	Clip, Wire Harness.....	-	1	1
27	829 854 M1	Switch Assembly, Ignition.....	1	1	1
28	829 917 M1	Key, Switch.....	2	2	2
29	181 871 M91	Indicator Assembly, Discharge.....	1	1	1
30	829 851 M1	Bulb, Discharge Indicator.....	1	1	1
31	829 974 M1	Lens Assembly, Indicator.....	1	1	1
32	897 098 M1	Cable Assembly, Starter Switch to Starter.....	1	1	1
33	829 849 M1	Boot, Cable End.....	3	3	3
34		Starter Assembly (See Page 75).....	1	1	1
38	181 542 M91	Coil Assembly, Ignition (Order 1024 481 M91).....	1	1	1
39	1 750 501 M1	Clip, Terminal.....	2	2	2
40	358 990 X1	Nut, Terminal Clip Retaining.....	2	2	2
41	181 543 M1	Nipple, Hi-Tension Wire.....	1	1	1
42	1 750 500 M1	Bracket, Coil Mounting.....	1	1	1
	1 024 262 M1	Screw, Bracket.....	1	1	1
44	181 562 M1	Wire Assembly, Coil to Distributor (Lo-Tension).....	1	1	1
45	181 602 M91	Wire Assembly, Coil to Distributor (Hi-Tension).....	1	1	1
		Distributor Assembly (See Page 67).....	1	1	1
46	181 605 M91	Wire Assembly, Distributor to Spark Plug (Incl. Item 47) (7-1/2" Long).....	x	x	x
46	181 604 M91	Wire Assembly, Distributor to Spark Plug (Incl. Item 47) (9-3/4" Long).....	x	x	x
46	825 708 M1	Wire Assembly, Distributor to Spark Plug (Incl. Item 47).....	x	x	x
47	181 551 M1	Nipple, Distributor Wire.....	1	1	1
48	834 242 M1	Spark Plug Assembly (Std.) (18 MM) (Incl. Item 49).....	4	-	-
48	181 547 M91	Spark Plug Assembly (Cold) (18 MM) (Incl. Item 49).....	4	-	-
48	834 243 M1	Spark Plug Assembly (Hot) (18 MM) (Incl. Item 49).....	4	-	-
48	181 688 M91	Spark Plug Assembly (Std.) (14 MM).....	-	4	4
	180 474 M1	Gasket, Spark Plug.....	1	1	1
	825 401 M1	Grommet, Spark Plug Wire.....	-	4	4
51	829 884 M1	Plug, Generator, Field.....	1	1	1
52	829 885 M1	Plug, Generator, Armature.....	1	1	1
57	354 046 X1	Cotter Pin (3/32 x 1/2").....	x	x	x
58	353 669 X1	Bolt (1/4 x 1" NC, Hex.).....	x	x	x
59	353 441 X1	Washer (1/4" Lock).....	x	x	x
59	355 564 X1	Nut (1/4" NC, Hex.).....	x	x	x
60	355 582 X1	Nut (1/4" NF, Wing).....	x	x	x
61	353 678 X1	Bolt (5/16 x 7/8" NC, Hex.).....	x	x	x
62	353 755 X1	Washer (5/16" Small Flat).....	x	x	x
63	353 557 X1	Bolt (7/16 x 3/4" NF, Hex.).....	x	x	x
64	353 432 X1	Washer (7/16" Lock).....	x	x	x
65	353 426 X1	Nut (7/16" NF, Hex.).....	x	x	x

Notes: (A) - For repair order 1024 808 M1.

F119-51

- | | | | | | |
|----|----|----|----|----|----|
| G | H | K | M | N | P |
| 59 | 63 | 64 | 68 | 70 | 71 |
| 60 | 65 | 65 | 69 | 72 | 72 |
| 61 | 66 | 67 | | 74 | |
| 62 | | | | | 73 |



ELECTRICAL WIRING

(12 VOLT)

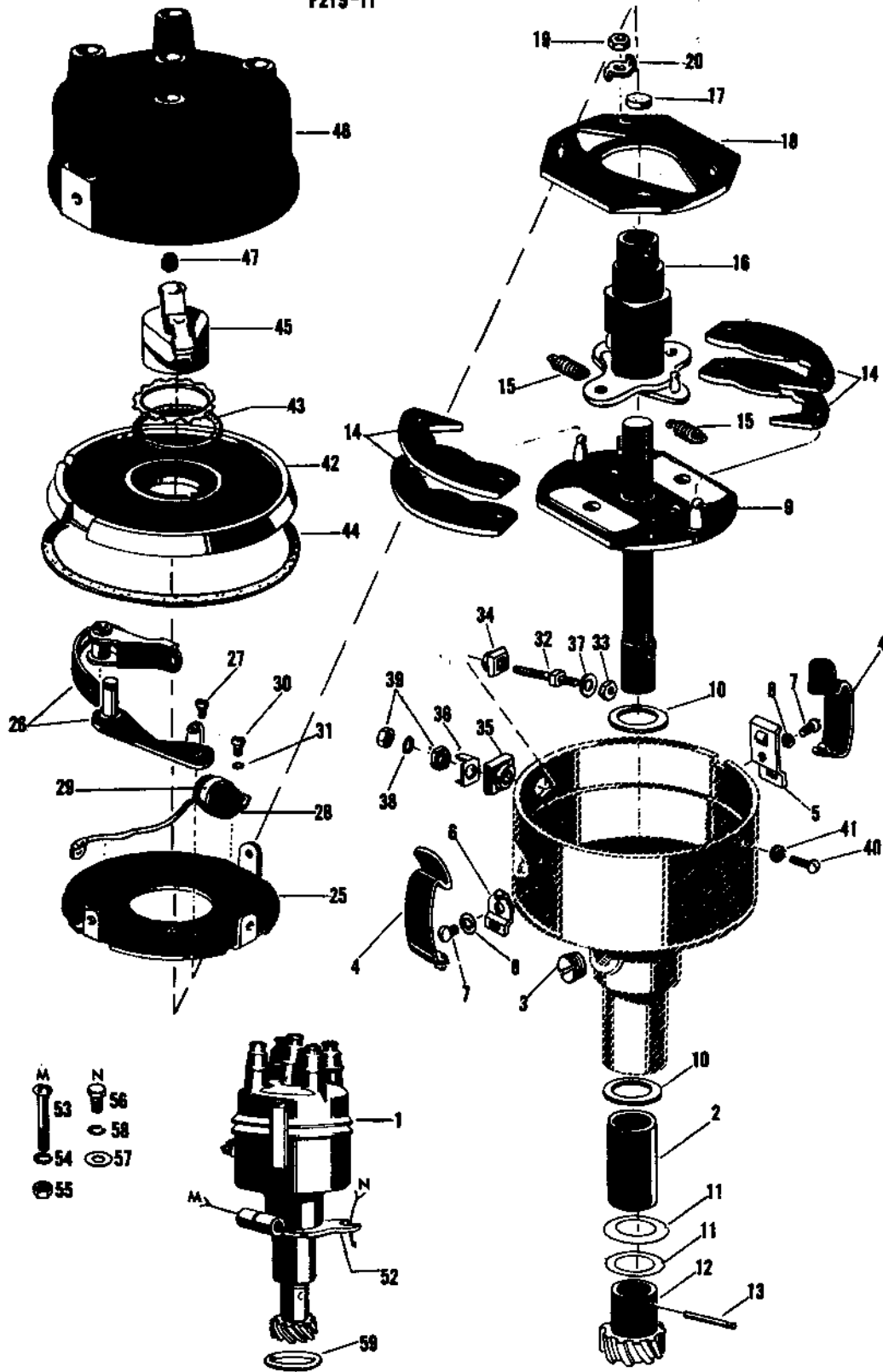
(TE-A20 85 MM)

Ref. No.	Part No.	Description	No. Req.
1	825 094 M91	Platform Assembly, Battery.....	1
2	825 051 M1	Spacer, Platform.....	2
3	825 057 M1	Mat, Battery.....	1
4	825 045 M91	Cradle Assembly, Battery.....	1
5	890 286 M1	Plate Assembly, Battery Retainer.....	1
6	353 441 X1	Washer (1/4" Lock).....	2
7	353 582 X1	Nut (1/4" NC, Wing).....	2
8	825 065 M1	Cover, Battery.....	1
9	825 048 M1	Clip, Cover.....	2
10	825 049 M1	Spacer, Cover.....	2
11	829 947 M1	Lead Assembly, Ground.....	1
12 (C)	829 941 M1	Lead Assembly, Battery to Starter Switch.....	1
16	829 975 M91	Harness Assembly, Wire.....	1
17	829 885 M1	Plug, Generator, Armature.....	1
18	829 884 M1	Plug, Generator, Field.....	1
19		Generator Assembly (See Page 71).....	1
20 (A)	825 731 M92	Regulator Assembly, Voltage.....	1
20 (B)	829 951 M91	Regulator Assembly, Voltage.....	1
	829 866 M1	Sleeve, Wire Attaching, Regulator.....	4
22	829 960 M91	Switch Assembly, Starter.....	1
	825 516 M1	Lever, Toggle.....	1
32	829 942 M1	Clip, Wire Harness.....	2
33	825 865 M91	Clip, Wire Harness.....	1
34	829 854 M1	Switch Assembly, Ignition.....	2
35	829 917 M1	Key, Switch.....	1
36	829 977 M1	Indicator, Discharge.....	1
37	829 800 M1	Bulb, Discharge Indicator.....	1
38	829 974 M1	Lens Assembly, Indicator.....	1
39	897 098 M1	Cable Assembly, Starter Switch to Starter.....	1
40	829 849 M1	Boot, Cable.....	3
41		Starter Assembly (See Page 75).....	1
	825 313 M1	Shim, Starter.....	x
45	1 015 128 M91	Coil Assembly, Ignition (Order 1038 817 M91).....	1
46	181 562 M1	Wire Assembly, Coil to Distributor (Lo-Tension).....	1
47	181 602 M91	Wire Assembly, Coil to Distributor (Hi-Tension).....	1
48		Distributor Assembly (See Page 67).....	2
49	181 605 M91	Wire Assembly, Distributor to #1 and #2 Plugs.....	2
49	825 708 M1	Wire Assembly, Distributor to #3 and #4 Plugs (Order 1 - 826 265 M1 and 4 - 827 567 M1).....	1
50	829 943 M1	Clip, Distributor Wires Retaining.....	4
51	181 688 M91	Plug Assembly, Spark, Std. (14 MM).....	4
	825 401 M1	Grommet, Spark Plug Wire.....	4
53	181 551 M1	Nipple, Distributor.....	5
54	829 926 M1	Nipple, Ignition Coil.....	1
	354 046 X1	Cotter Pin (3/32 x 1/2").....	x
59	354 019 X1	Screw (#10 - 24 x 3/8" Flat Hd.).....	x
60	353 753 X1	Washer (#10 Flat).....	x
61	353 445 X1	Washer (#10 Lock).....	x
62	354 120 X1	Nut (#10 - 24 Hex.).....	x
63	353 669 X1	Bolt (1/4 x 1" NC, Hex.).....	x
64	825 409 M1	Stud, Ignition Coil.....	x
65	353 441 X1	Washer (1/4" Lock).....	x
66	355 564 X1	Nut (1/4" NC, Hex.).....	x
67	353 918 X1	Nut (1/4" NF, Hex.).....	x
68	353 678 X1	Bolt (5/16 x 7/8" NC, Hex.).....	x
69	353 755 X1	Washer (5/16" Lock).....	x
70	353 557 X1	Bolt (7/16 x 3/4" NF, Hex.).....	x
71	353 700 X1	Bolt (7/16 x 1-1/4" NC, Hex.).....	x
72	353 432 X1	Washer (7/16" Lock).....	x
73	355 645 X1	Nut (7/16" NC, Hex.).....	x
74	353 426 X1	Nut (7/16" NF, Hex.).....	x

Notes: (A) - Used Tractor Serial No. 372810 and up.
 (B) - Used prior to Tractor Serial No. 372810.
 (C) - For repair order 1024 808 M1.

DISTRIBUTOR

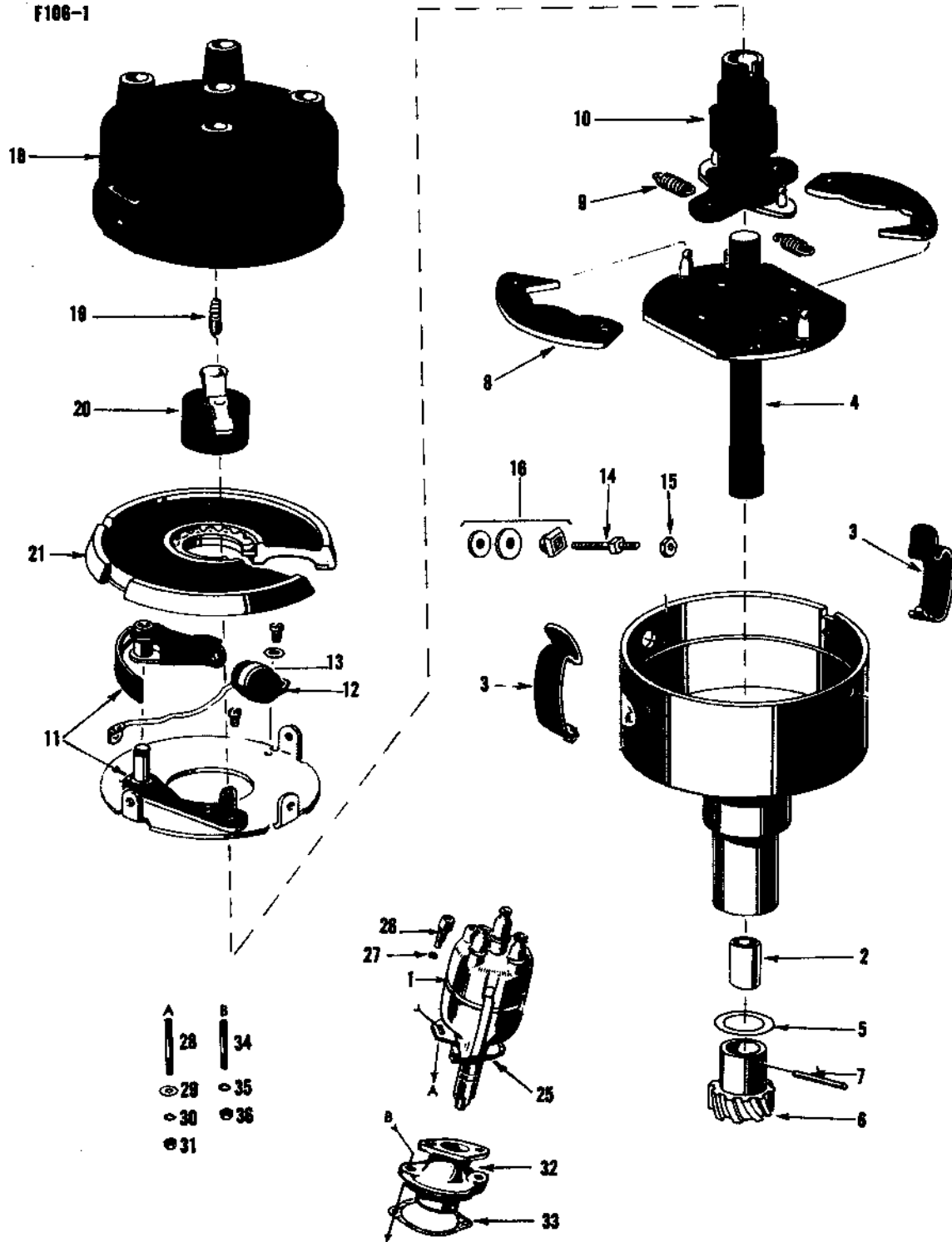
F215-11



DISTRIBUTOR

Ref. No.	Part No.	Description	TO 30	TO 20
1	181 686 M91	Distributor Assembly.....	1	-
1	181 685 M91	Distributor Assembly (Order 182 852 M91).....	-	1
2	1 750 499 M1	Bushing, Housing.....	1	-
3	195 591 M1	Plug, Housing.....	1	1
4	1 750 489 M1	Spring, Cap Locking.....	2	2
5	1 750 490 M1	Support, Spring and Cap Locating.....	1	1
6	1 750 436 M1	Support, Spring.....	1	1
7	353 976 X1	Screw (#8 - 32 x 3/8" Rd. Hd.).....	2	2
8	353 444 X1	Washer (#8 Lock).....	2	2
9	1 752 304 M91	Shaft Assembly, Weight Plate.....	1	-
9	1 750 510 M91	Shaft Assembly, Weight Plate.....	-	1
10	1 750 412 M1	Washer, Thrust.....	2	2
11	1 750 406 M1	Shim (.005").....	x	x
11	1 025 008 M1	Shim (.010").....	x	x
12	1 025 006 M1	Gear, Drive.....	1	1
13	1 750 492 M1	Pin, Drive Gear.....	1	1
14	1 750 462 M1	Weight, Distributor Advance.....	4	-
14	1 750 464 M1	Weight, Distributor Advance.....	-	4
15	1 750 485 M1	Spring, Weight.....	2	-
15	1 750 486 M1	Spring, Weight.....	-	2
16	1 750 524 M1	Cam, Breaker.....	1	-
16	1 750 503 M1	Cam, Breaker.....	-	1
17	1 024 922 M1	Wick, Cam Oiler.....	1	-
17	1 024 922 M1	Wick, Cam Oiler.....	-	1
18	1 750 482 M1	Plate, Weight and Cam Retaining.....	1	1
19	358 990 X1	Nut, Retaining Plate Lock.....	2	2
20	353 445 X1	Washer, Special Lock.....	2	2
25	1 750 437 M1	Plate, Breaker.....	1	1
26 (A)		Point Set, Breaker (Order 839 011 M91).....	1	1
27	1 022 319 M1	Screw, Breaker Point Lock.....	1	1
28 (A)	1 024 924 M91	Condenser (Order 839 011 M91).....	1	1
29	1 017 341 M1	Bracket, Condenser.....	1	1
30	363 580 X1	Screw, Condenser Attaching.....	1	1
31	353 444 X1	Washer, Lock.....	1	1
32	1 750 520 M1	Stud, Terminal.....	1	-
32	1 750 438 M1	Stud, Terminal.....	-	1
33	354 119 X1	Nut, Terminal Stud, Inside.....	1	1
34	1 750 519 M1	Bushing, Terminal Stud, Inside.....	1	-
34	1 750 455 M1	Bushing, Terminal Stud, Inside.....	-	1
35	1 750 513 M1	Bushing, Terminal Stud, Outside.....	1	-
36	1 750 514 M1	Clip, Terminal Stud.....	1	-
37	353 444 X1	Washer, Terminal Stud, Plain.....	1	1
38	353 444 X1	Washer, Terminal Stud, Lock.....	2	2
39	354 119 X1	Nut, Terminal Stud, Outside.....	2	2
40	363 712 X1	Screw, Breaker Plate Attaching.....	1	1
41	353 444 X1	Washer, Lock.....	1	1
42	1 750 491 M91	Cover Assembly, Housing.....	1	1
43	1 750 515 M1	Seal, Dust (Felt).....	1	1
44	1 750 488 M1	Gasket, Cover.....	1	1
45	1 750 498 M1	Rotor.....	1	1
46	1 750 411 M91	Cap Assembly.....	1	1
47	1 750 432 M1	Brush, Center Contact.....	1	1
52	181 548 M91	Clamp Assembly, Distributor Mounting.....	1	1
53	357 470 X1	Screw, Clamp.....	1	1
54	353 441 X1	Washer (1/4" Lock).....	1	1
55	195 540 M1	Nut, Clamp Screw.....	1	1
56	353 666 X1	Bolt (1/4 x 5/8" NC, Hex.).....	2	2
57	353 754 X1	Washer (1/4" Small Flat).....	2	2
58	353 441 X1	Washer (1/4" Lock).....	2	2
59	760 001 M2	"O"Ring, Distributor.....	1	1
	839 011 M91	Point and Condenser Set (Incl. Items Marked "A")		

DISTRIBUTOR



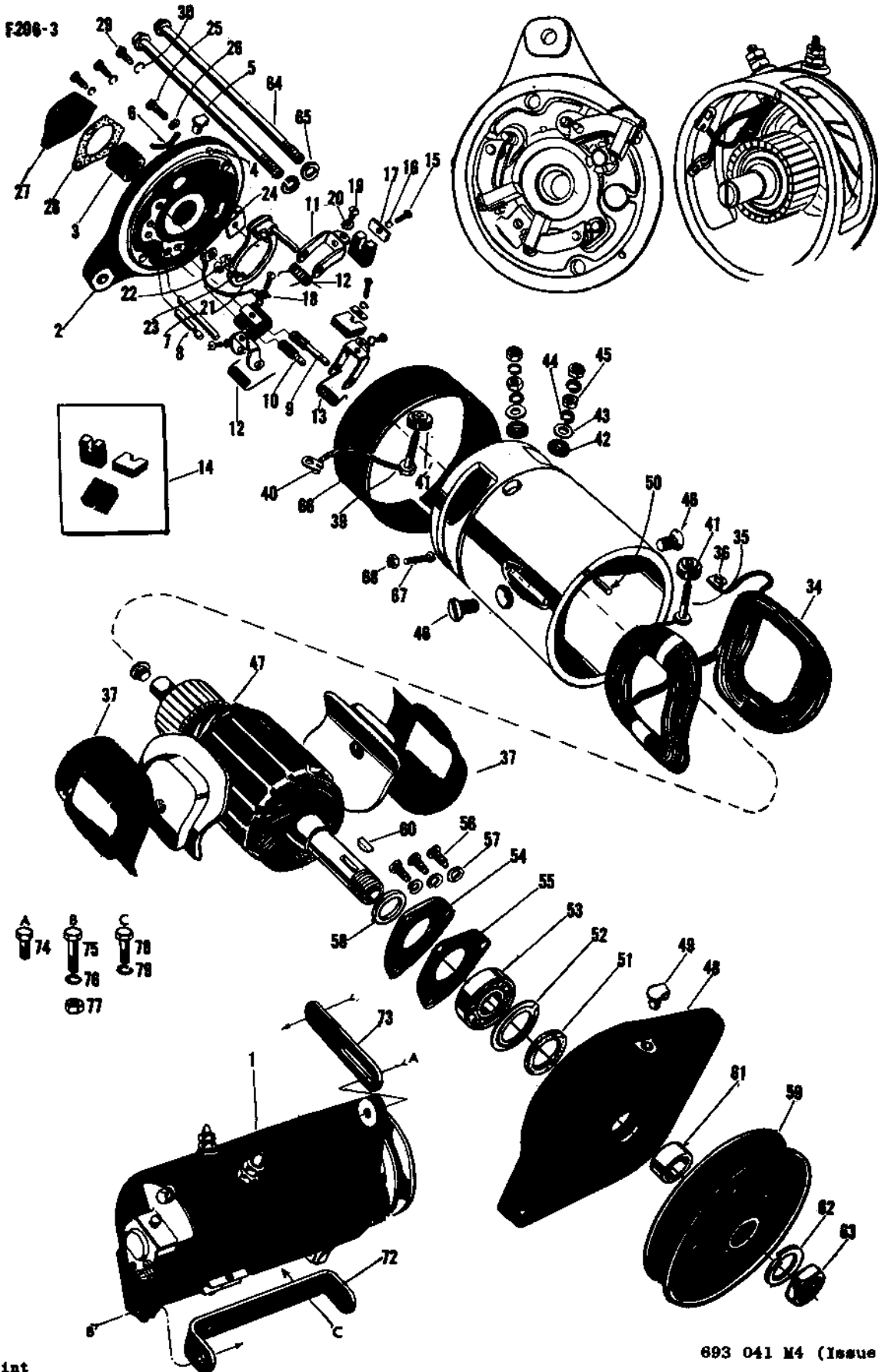
DISTRIBUTOR

67

Ref. No.	Part No.	Description	TE-A20		
			TE 20	80 MM	85 MM
1	829 807 M91	Distributor Assembly.....	-	-	1
1	829 806 M91	Distributor Assembly.....	-	1	-
1	829 856 M91	Distributor Assembly.....	1	-	-
2	829 928 M1	Bushing, Housing.....	1	1	1
3	829 935 M1	Spring, Cap Locking.....	2	2	2
4 (A)	1 024 392 M91	Shaft Assembly, Weight Plate.....	-	-	1
4 (B)	1 852 643 M1	Shaft Assembly, Weight Plate.....	1	1	1
5	829 860 M1	Washer, Thrust.....	1	1	1
6	829 844 M1	Dog, Drive.....	-	1	1
6	825 515 M1	Gear, Drive.....	1	-	-
7	825 707 M1	Pin, Drive Gear.....	1	-	-
8	829 938 M1	Weight, Distributor Advance.....	2	2	2
9 (A)	829 848 M1	Spring, Weight.....	-	-	2
9 (B)	829 846 M1	Spring, Weight.....	-	2	2
9	829 939 M1	Spring, Weight.....	2	-	-
10	1 024 400 M1	Cam, Breaker.....	1	1	1
(A)	829 812 M1	Bearing, Cam.....	-	-	1
(B)	829 868 M1	Bearing, Cam.....	1	1	1
	829 867 M1	Bearing, Cam.....	1	-	-
11	839 013 M91	Point Set, Breaker.....	1	1	1
12	1 024 924 M91	Condenser.....	1	1	1
13	1 017 341 M1	Bracket, Condenser.....	1	1	1
14	829 923 M1	Stud, Terminal.....	1	1	1
15	354 119 X1	Nut, Terminal Stud.....	1	1	1
16	829 921 M1	Gasket, Insulator (Paper).....	1	1	1
16	829 933 M1	Insulator, Terminal, Short.....	1	1	1
16	829 934 M1	Insulator, Terminal, Long.....	1	1	1
18	829 937 M1	Cap Assembly, Housing.....	1	1	1
19	829 920 M1	Brush Assembly, Contact.....	1	1	1
20	829 927 M1	Rotor.....	1	1	1
	829 919 M1	Box of Parts.....	1	1	1
21	829 936 M1	Cover, Dust, w/Felt.....	1	1	1
25 (A)	829 845 M1	Clamp, Distributor Mounting.....	-	-	1
25 (B)	829 931 M1	Clamp, Distributor Mounting.....	1	1	-
26	829 929 M1	Nut, Cable Holding.....	5	5	5
	829 863 M1	Washer, Cable End.....	5	5	5
27	181 551 M1	Cover, Terminal Ends.....	5	5	5
28	825 741 M1	Stud, Distributor to Adapter.....	-	2	2
29	353 754 X1	Washer (1/4" Small Flat).....	-	2	2
30	353 441 X1	Washer (1/4" Lock).....	-	2	2
31	353 919 X1	Nut (1/4" NF, Half Hex.).....	-	2	2
32	825 172 M1	Adapter, Distributor.....	-	1	1
33	825 662 M1	Gasket, Adapter.....	-	1	1
34	825 285 M1	Stud, Adapter to Block.....	-	2	2
35	353 446 X1	Washer (5/16" Lock).....	-	2	2
36	353 916 X1	Nut (5/16" NF, Hex.).....	-	2	2

Notes: (A) - Used Tractor Serial No. 200001 and up.
 (B) - Used prior to Tractor Serial No. 200001.

GENERATOR



1st Print

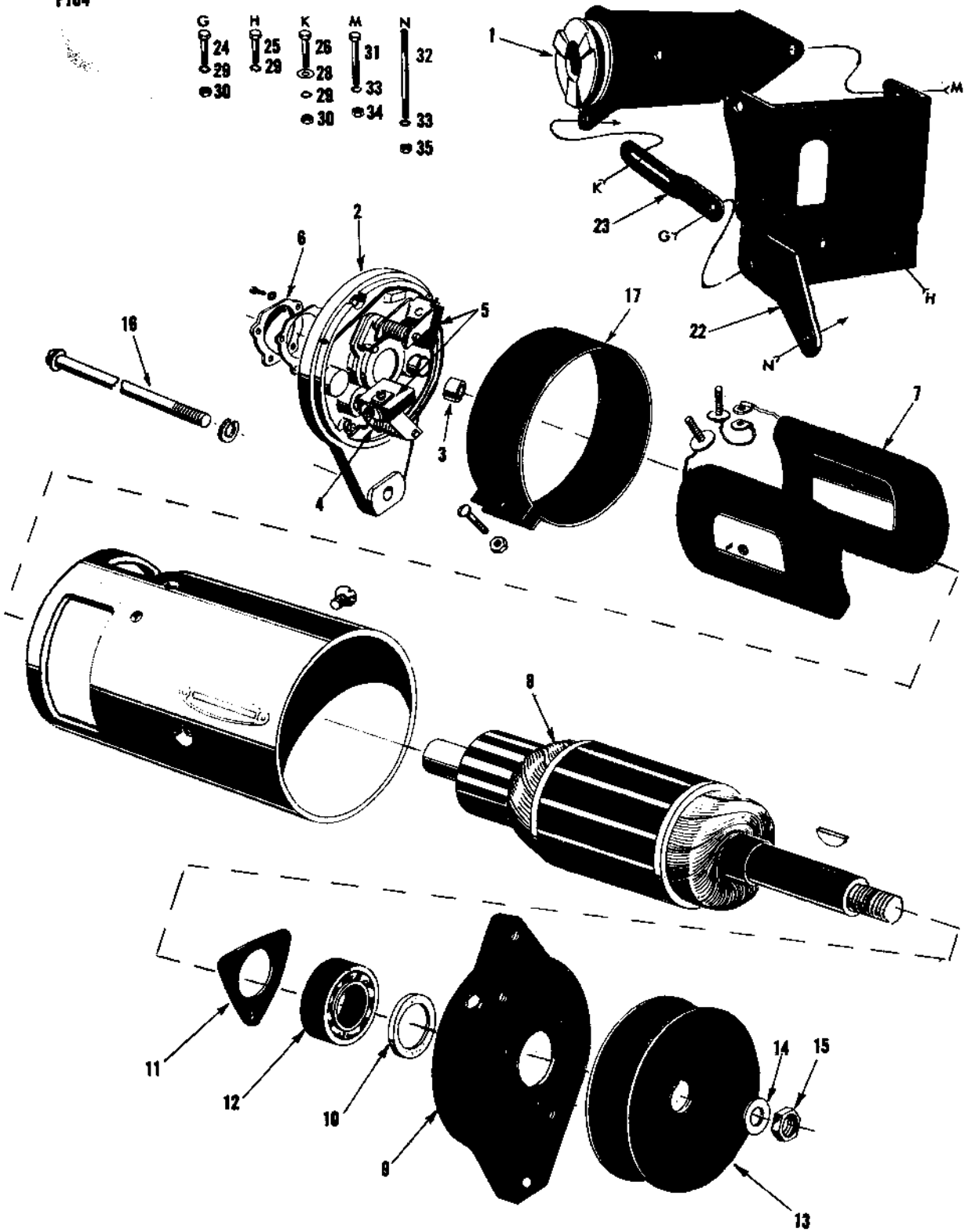
693 041 M4 (Issue 1) 5/73

GENERATOR

Ref. No.	Part No.	Description	TO 30	TO 20
1	181 673 M91	Generator Assembly (Order 181 674 M91)	-	1
1	181 674 M91	Generator Assembly	1	-
2	1 750 427 M91	Head Assembly, Commutator End	-	1
2	1 750 422 M91	Head Assembly, Commutator End	1	-
3	1 750 415 M1	Bushing	1	1
4	1 750 394 M1	Pin, Head Locating	1	1
5	1 501 962 M1	Oiler	1	1
6	1 022 604 M1	Wick, Oil	1	1
7	1 750 425 M1	Pin, Brush Hinge (Grounded)	1	1
8	1 750 426 M1	Pin, Brush Stop (Grounded)	1	1
9	1 750 414 M1	Pin, Brush Hinge (Insulated)	1	1
10	1 750 413 M1	Pin, Brush Stop (Insulated)	1	1
11	1 750 398 M1	Holder, Brush	3	3
12	1 750 399 M1	Spring, Brush Tension (3rd and Ground)	2	2
13	1 750 400 M1	Spring, Brush (Main)	1	1
14	1 750 463 M91	Brush Kit	1	1
15	363 575 X1	Screw, Brush Attaching	3	3
16	195 441 M1	Washer, Lock	3	3
17	1 750 395 M1	Washer, Flat	3	3
18	1 750 401 M1	Lead, Brush Ground	1	1
19	363 585 X1	Screw, Lead Attaching	2	2
20	1 750 495 M1	Washer, Lock	2	2
21	1 750 402 M1	Plate, 3rd Brush	1	1
22	1 750 403 M1	Spring, Washer	1	1
23	1 750 397 M1	Screw, Spring Washer	1	1
24	1 750 428 M1	Clamp, Brush Plate	1	1
25	363 577 X1	Screw, Clamp	1	1
26	353 445 X1	Washer, Lock	1	1
27	1 038 526 M1	Plate, Cover, Head	1	1
28	1 750 423 M1	Gasket, Cover Plate	1	1
29	363 576 X1	Screw, Cover Plate	3	3
30	353 444 X1	Washer, Lock	3	3
34	1 750 512 M91	Coil Assembly, Field	1	1
35	1 750 869 M1	Stud, Field Terminal	1	1
36	1 750 389 M1	Clip, Terminal	1	1
37	1 750 516 M1	Insulation, Coil	2	2
39	1 750 444 M91	Stud Assembly, Armature Terminal	1	1
40	1 750 389 M1	Clip, Stud	1	1
41	1 750 480 M1	Bushing, Stud Insulating (Order 1032 397 M91)	2	2
42	1 750 443 M1	Washer, Stud Insulating (Order 1032 397 M91)	2	2
43	1 750 465 M1	Washer, Stud	2	2
44	375 142 X1	Washer, Lock	2	2
45	357 516 X1	Nut, Terminals	2	2
46	363 710 X1	Screw, Pole Shoes	2	2
47	1 751 042 M91	Armature Assembly	1	1
48	1 750 441 M91	Head Assembly, Drive End	1	-
48	1 750 507 M1	Head Assembly, Drive End	-	1
49	1 601 962 M1	Oiler, Head	1	1
50	1 750 396 M1	Pin, Head Locating	1	1
51	1 500 195 M1	Washer, Felt	1	1
52	1 750 429 M1	Retainer, Felt Washer	1	1
53	15 363 X	Bearing, Ball	1	1
54	1 750 504 M1	Plate, Bearing Retainer	1	1
55	1 750 505 M1	Gasket, Retainer Plate	1	1
56	1 022 316 M1	Screw, Plate to Head	3	3
57	353 445 X1	Washer, Lock	3	3
58	1 750 404 M1	Washer, Armature Thrust	1	1
59	1 750 509 M1	Pulley, Generator	1	1
60	355 465 X1	Key, Pulley	1	1
61	1 750 424 M1	Spacer, Pulley	1	1
62	1 754 245 M1	Washer, Lock	1	1
63	1 006 935 M1	Nut, Pulley Retaining	1	1
64	1 032 399 M1	Bolt, Thru	2	2
65	19 752 X	Washer, Lock, Thru Bolt	2	2
66	1 750 452 M91	Band Assembly, Cover, Commutator End	1	1
67	355 747 X1	Screw, Band	1	1
68	358 990 X1	Nut, Cover Band Screw	1	1
72	187 210 M1	Bracket, Generator Mounting	1	-
72	1 750 508 M1	Bracket, Generator Mounting	-	1
73	181 539 M1	Strap, Generator Adjusting	1	-
73	181 666 M91	Strap Assembly, Generator Adjusting	-	1
74	181 540 M1	Bolt (5/16 x 5/8" NC, Hex.)	x	x
75	353 520 X1	Bolt (5/16 x 1-1/8" NF, Hex.)	x	x
76	353 446 X1	Washer (5/16" Lock)	x	x
77	353 916 X1	Nut (5/16" NF, Hex.)	x	x
78	353 698 X1	Bolt (7/16 x 1" NC, Hex.)	x	x
79	353 432 X1	Washer (7/16" Lock)	x	x

F104

- G 24
29
30
- H 25
29
- K 26
28
29
30
- M 31
33
34
- N 32
33
35



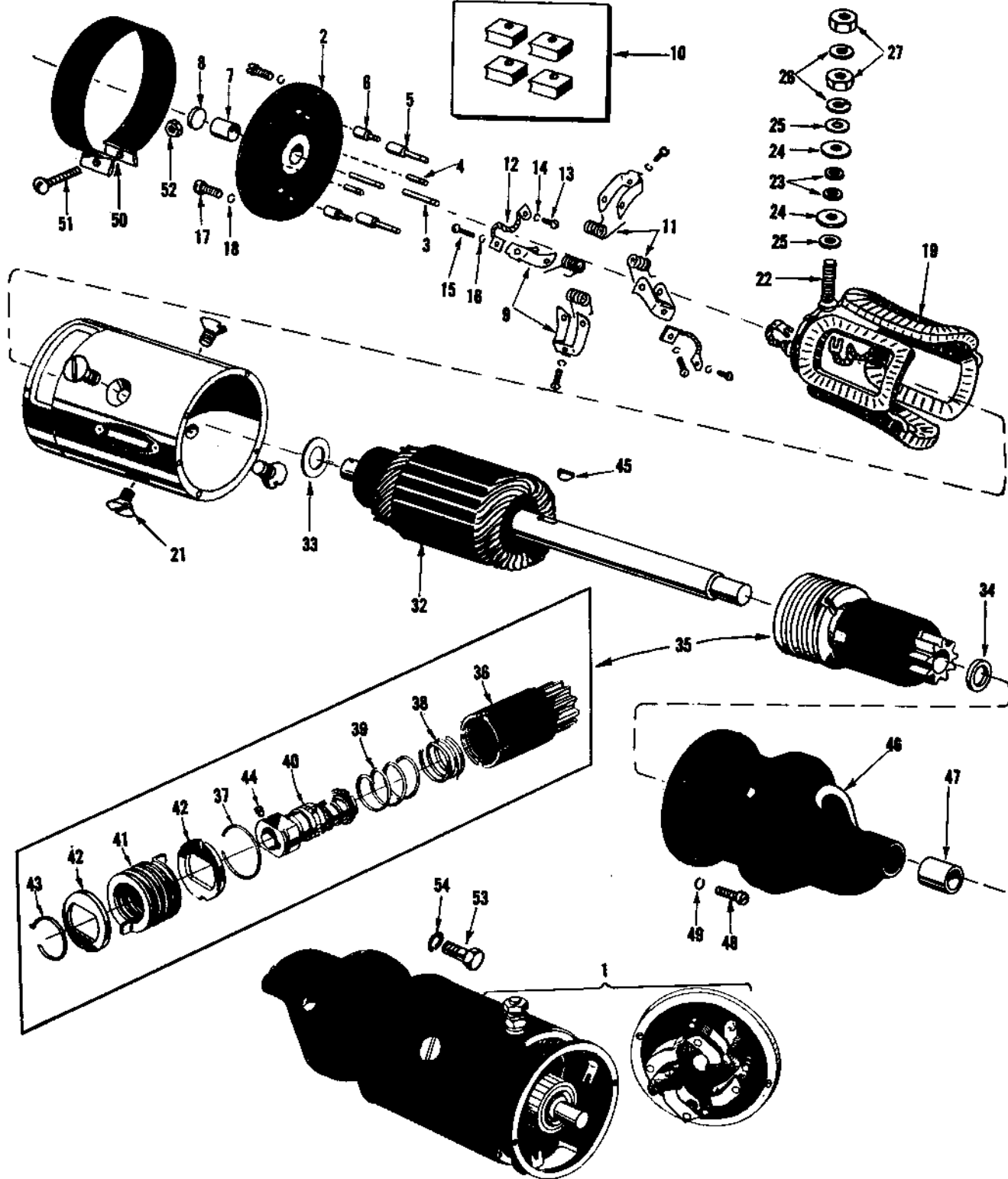
GENERATOR

Ref. No.	Part No.	Description	TE-A20		
			TE 20	80 MM	85 MM
1 (A)	829 801 M92	Generator Assembly (Order 892 447 M91).....	-	-	1
1 (B)	829 802 M91	Generator Assembly.....	-	-	1
1 (B)	829 950 M91	Generator Assembly (Order 829 802 M91).....	-	1	-
1 (C)	829 852 M91	Generator Assembly.....	1	1	-
2 (A)	829 826 M1	Head, Commutator End.....	-	-	1
2 (D)	829 819 M1	Head, Commutator End.....	-	1	1
2	829 876 M1	Head, Commutator End.....	1	-	-
3 (A)	829 969 M1	Bushing, Head.....	-	-	1
3 (D)	829 813 M1	Bushing, Head.....	-	1	1
3	829 882 M1	Bushing, Head.....	1	-	-
4	829 873 M1	Spring, Brush.....	2	2	2
5	829 817 M1	Brush Kit.....	-	1	1
5	829 869 M1	Brush Kit.....	1	-	-
6	829 881 M1	Plate, Cover, Head.....	1	1	1
7 (A)	829 814 M1	Coil Assembly, Field.....	-	-	1
7 (D)	829 815 M1	Coil Assembly, Field.....	-	1	1
7	1 024 807 M1	Coil Assembly, Field.....	1	-	-
8 (A)	829 821 M1	Armature Assembly.....	-	-	1
8 (E)	829 824 M1	Armature Assembly.....	-	-	1
8 (F)	829 816 M1	Armature Assembly.....	-	1	-
8	829 959 M1	Armature Assembly.....	1	-	-
9 (A)	829 825 M1	Head, Drive End.....	-	-	1
9 (D)	829 820 M1	Head, Drive End.....	-	1	1
9	829 875 M1	Head, Drive End.....	1	-	-
10	829 879 M1	Washer, Felt.....	1	1	1
11	829 880 M1	Retainer, Felt Washer.....	1	1	1
12	21 271 A	Bearing, Ball.....	-	1	1
12	15 363 X	Bearing, Ball.....	1	-	-
13 (G)	825 365 M1	Pulley, Generator.....	-	1	1
13 (C)	825 191 M1	Pulley, Generator.....	-	1	-
13	829 874 M1	Pulley, Generator.....	1	-	-
14 (G)	825 382 M1	Washer, Lock.....	-	1	1
14 (C)	825 312 M1	Washer, Lock.....	-	1	-
14	829 864 M1	Washer, Lock.....	1	-	-
15 (G)	353 428 X1	Nut, Pulley Retaining.....	-	1	1
15 (C)	1 006 935 M1	Nut, Pulley Retaining.....	1	1	-
16	829 871 M1	Bolt, Generator Thru.....	1	1	1
17	829 870 M1	Band, Cover.....	1	1	1
	829 823 M91	Box of Parts.....	-	1	1
	825 749 M91	Box of Parts.....	1	-	-
22	825 408 M91	Bracket Assembly, Generator Mounting.....	-	-	1
23 (G)	825 367 M1	Strap, Adjusting.....	-	1	1
23	181 666 M91	Strap Assembly, Adjusting.....	1	-	-
24	353 517 X1	Bolt (5/16 x 3/4" NF, Hex.).....	-	-	x
25	353 677 X1	Bolt (5/16 x 3/4" NC, Hex.).....	-	-	x
26	353 678 X1	Bolt (5/16 x 7/8" NC, Hex.).....	-	-	x
	353 531 X1	Bolt (5/16 x 2-1/2" NC, Hex.).....	-	-	x
28	353 755 X1	Washer (5/16" Small Flat).....	-	-	x
29	353 446 X1	Washer (5/16" Lock).....	-	-	x
30	353 916 X1	Nut (5/16" NF, Hex.).....	-	-	x
31	353 702 X1	Bolt (7/16 x 1-1/2" NC, Hex.).....	x	x	-
32	353 580 X1	Bolt (7/16 x 3-5/8" NF, Hex.).....	x	x	-
33	353 432 X1	Washer (7/16" Lock).....	x	x	-
34	355 645 X1	Nut (7/16" NC, Hex.).....	x	x	-
35	353 426 X1	Nut (7/16" NF, Hex.).....	x	x	-

- Notes: (A) - Used Tractor Serial No. 200001 and up.
 (B) - Used Tractor Serial No. 132206 thru 200000.
 (C) - Used prior to Tractor Serial No. 132206.
 (D) - Used prior to Tractor Serial No. 200001.
 (E) - Used Tractor Serial No. 172587 thru 200000.
 (F) - Used prior to Tractor Serial No. 172587.
 (G) - Used Tractor Serial No. 132206 and up.

STARTER

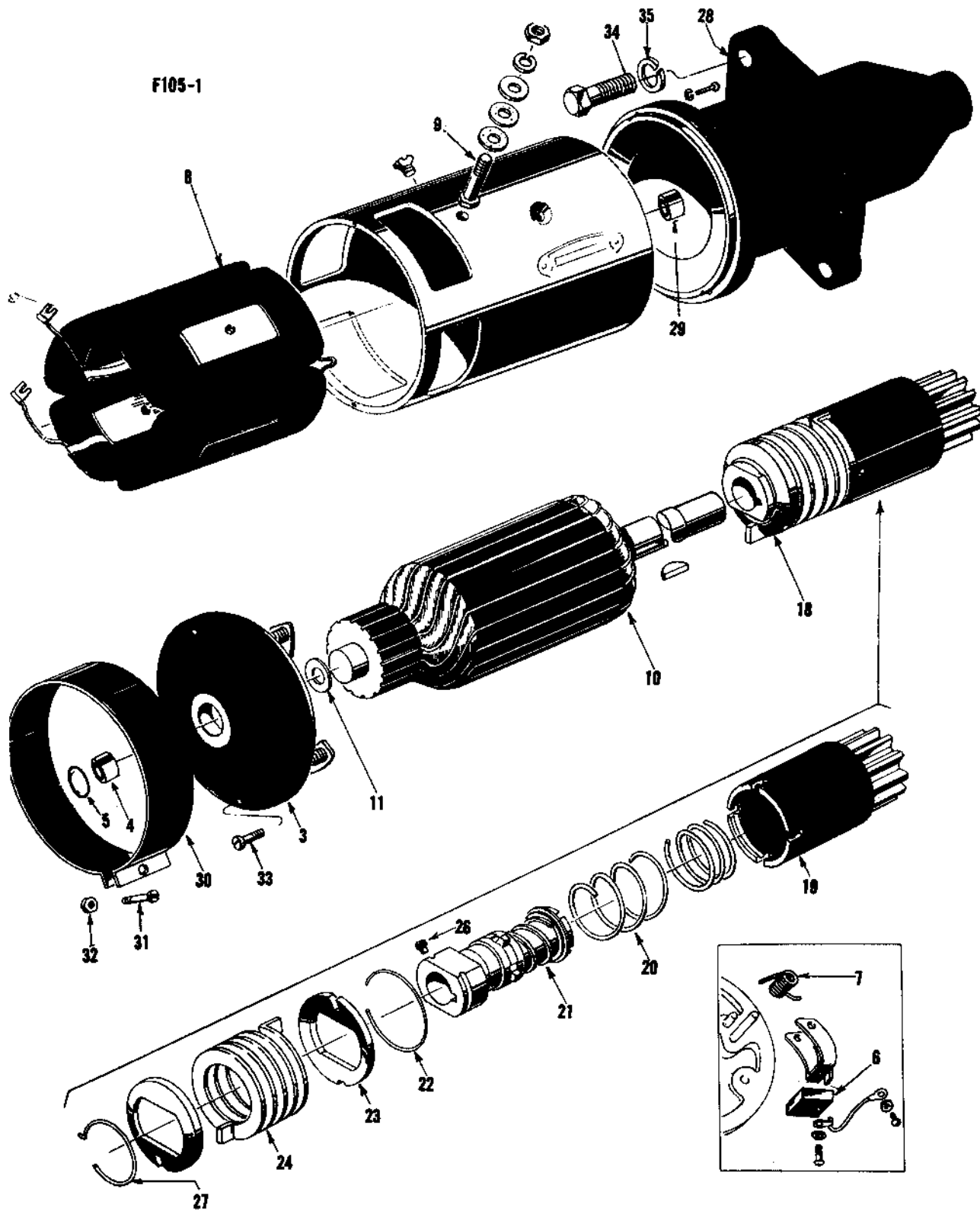
F338



STARTER

Ref. No.	Part No.	Description	TO	TO
			30	20
1	181 541 M91	Starter Assembly.....	1	1
2	1 750 467 M91	Head Assembly, Commutator End.....	1	1
3	1 750 425 M1	Pin, Brush, Hinge (Grounded).....	2	2
4	1 750 471 M1	Pin, Brush, Stop (Grounded).....	2	2
5	1 750 414 M1	Pin, Brush, Hinge (Insulated).....	2	2
6	1 750 413 M1	Pin, Brush, Stop (Insulated).....	2	2
7	1 750 434 M1	Bushing.....	1	1
8	1 750 450 M1	Plug, Head End.....	1	1
9	1 750 408 M1	Holder, Brush.....	4	4
10	1 750 469 M1	Brush Kit.....	4	4
11	1 750 468 M1	Spring, Brush.....	4	4
12	1 750 470 M1	Lead, Brush (Ground).....	2	2
13	353 975 X1	Screw, Lead.....	2	2
14	353 444 X1	Washer, Lock.....	2	2
15	375 213 X1	Screw, Brush.....	4	4
16	195 441 M1	Washer, Lock.....	4	4
17	363 582 X1	Screw, Commutator Head to Frame.....	2	2
18	353 445 X1	Washer, Lock.....	2	2
19	1 750 477 M1	Coil Assembly, Field, Left Hand.....	1	1
19	1 750 478 M1	Coil Assembly, Field, Right Hand.....	1	1
21	1 022 321 M1	Screw, Pole Shoes.....	4	4
22	1 750 472 M1	Stud, Terminal.....	1	1
23	1 750 474 M1	Washer, Insulating (11/16" OD).....	2	2
24	1 750 473 M1	Washer, Insulating (1/2" OD).....	2	2
25	353 756 X1	Washer (3/8" Small Flat).....	2	2
26	353 434 X1	Washer (3/8" Lock).....	2	2
27	354 123 X1	Nut (3/8" NC, Hex.).....	2	2
32	1 750 466 M91	Armature Assembly.....	1	1
33	1 754 264 M1	Washer, Thrust, Commutator End.....	1	1
34	1 750 440 M1	Washer, Thrust, Drive End.....	1	1
35	1 750 454 M91	Drive Assembly, Bendix (Order 1035 335 M91).....	1	1
36	1 750 447 M91	Pinion Assembly.....	1	1
37	1 750 445 M1	Ring, Snap, Pinion to Shaft.....	1	1
38	1 750 439 M1	Spring, Meshing.....	1	1
39	1 750 446 M1	Spring, Anti-Drift.....	1	1
40	1 750 458 M91	Shaft Assembly, Drive.....	1	1
41	1 750 459 M1	Spring, Drive.....	1	1
42	1 750 518 M1	Plate, Drive Spring.....	2	2
43	1 750 456 M1	Ring, Snap, Drive Spring Retaining.....	1	1
44	1 750 457 M1	Pin, Drive Locating.....	1	1
45	22 568 X	Key (3/32 x 5/8" Woodruff).....	1	1
46	1 750 506 M91	Housing Assembly, Drive End.....	1	1
47	1 750 409 M1	Bushing.....	1	1
48	363 582 X1	Screw, Drive End to Frame.....	4	4
49	353 445 X1	Washer, Lock.....	4	4
50	1 750 487 M91	Cover Assembly, Commutator End.....	1	1
51	355 747 X1	Screw, Cover.....	1	1
52	358 990 X1	Nut, Cover Screw.....	1	1
53	353 698 X1	Bolt (7/16 x 1" NC, Hex.).....	2	2
54	353 422 X1	Washer (7/16" Lock).....	2	2

STARTER



STARTER

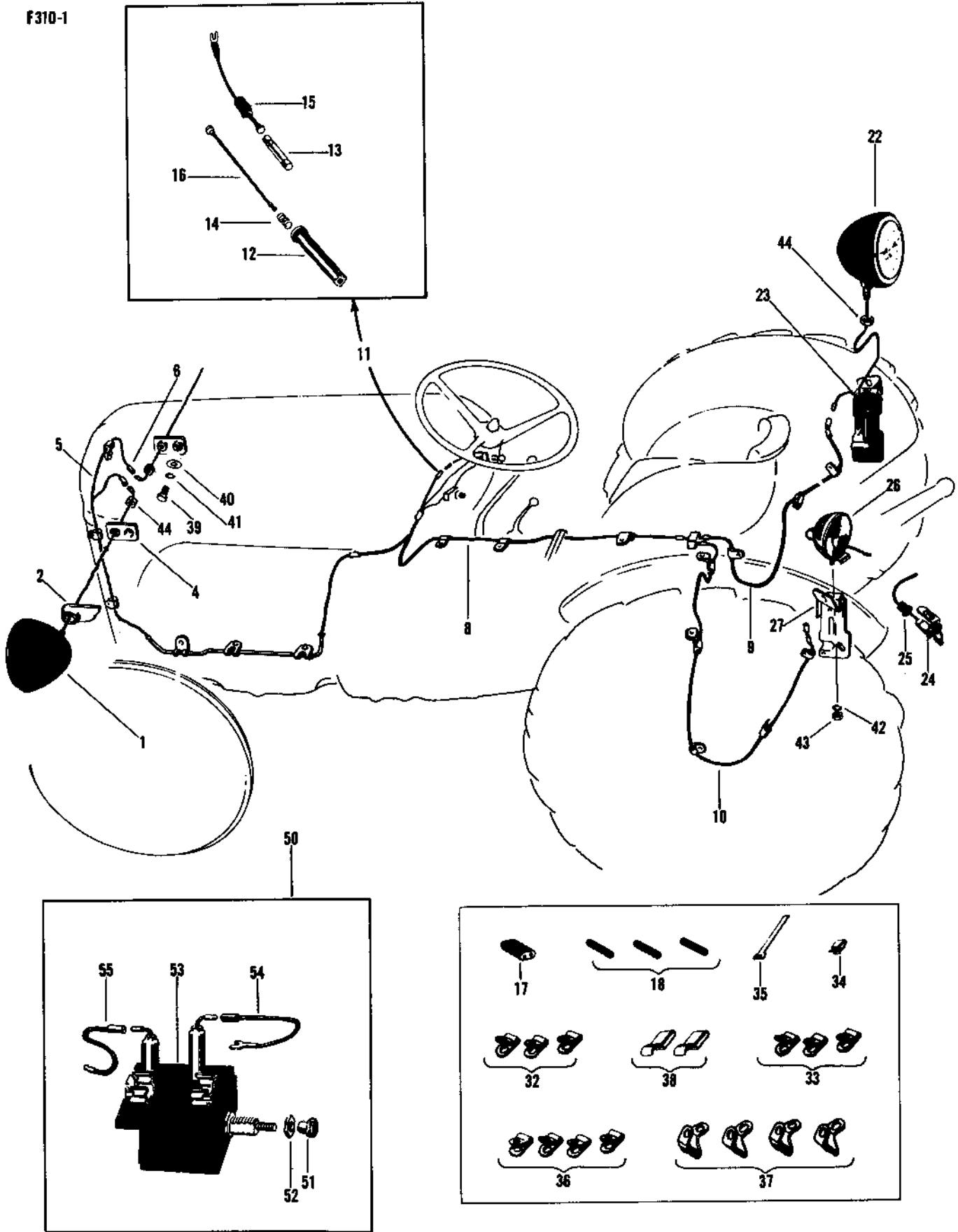
75

Ref. No.	Part No.	Description	TE-A20		
			TE 20	80 MM	85 MM
(A)	829 803 M91	Starter Assembly (Lucas 25038).....	-	-	1
(B)	829 853 M91	Starter Assembly (Lucas 25519).....	1	1	1
3 (A)	829 833 M1	Head, Commutator End.....	-	-	1
3 (B)	829 908 M1	Head, Commutator End.....	1	1	1
4 (A)	829 830 M1	Bushing, Head.....	-	-	1
4 (B)	829 889 M1	Bushing, Head.....	1	1	1
5 (A)	829 829 M1	Cover, Commutator End.....	-	-	1
5 (B)	829 904 M1	Cover, Commutator End.....	1	1	1
6 (A)	829 834 M1	Brush Kit.....	-	-	1
6 (B)	829 891 M1	Brush Kit.....	1	1	1
7 (A)	829 835 M1	Spring, Brush.....	-	-	4
7 (B)	829 909 M1	Spring, Brush.....	4	4	4
8 (A)	829 832 M1	Coil Assembly, Field.....	-	-	1
8 (C)	829 897 M1	Coil Assembly, Field.....	1	1	1
8 (D)	829 901 M1	Coil Assembly, Field.....	1	-	-
9	1 024 805 M1	Stud, Terminal.....	-	-	1
10 (A)	829 837 M1	Armature Assembly.....	-	-	1
10 (B,G)	829 906 M1	Armature Assembly.....	1	1	1
11	829 858 M1	Washer, Spacer, Commutator End.....	1	1	1
11 (B)	829 907 M1	Washer, Thrust, Commutator End.....	1	1	1
11 (B)	829 857 M1	Washer, Thrust, Drive End.....	1	1	1
18 (A)	829 843 M1	Drive Assembly, Starter.....	-	-	1
18 (B,G)	829 915 M1	Drive Assembly, Starter.....	1	1	1
19 (A)	829 842 M1	Pinion Assembly.....	-	-	1
19 (B)	829 912 M1	Pinion Assembly.....	1	1	1
20 (A)	829 839 M1	Spring, Anti-Drift.....	-	-	1
20 (B)	829 898 M1	Spring, Anti-Drift.....	1	1	1
21 (E)	829 914 M1	Sleeve Assembly, Drive.....	1	1	1
21 (F)	829 902 M1	Sleeve Assembly, Drive.....	1	-	-
22	829 894 M1	Ring, Snap, Drive Spring Retaining.....	1	1	1
23 (A)	1 750 518 M1	Plate, Drive Spring.....	-	-	1
23 (E)	829 893 M1	Coupler, Drive Washer.....	1	1	1
24 (A)	829 841 M1	Spring, Drive.....	-	-	1
(E)	829 973 M91	Sleeve Assembly, Plate.....	1	1	1
(E)	829 916 M1	Plate, Starter.....	1	1	1
24 (F)	829 910 M1	Spring, Drive.....	1	-	-
26 (B)	829 903 M1	Peg, Shaft Nut.....	1	1	1
(E)	829 859 M1	Washer, Packing.....	1	1	1
(E)	829 895 M1	Washer, Friction.....	1	1	1
(F)	829 864 M1	Washer, Friction.....	1	-	-
27	829 953 M1	Ring, Snap, Drive Spring Retaining.....	1	1	1
(A)	829 840 M1	Nut, Drive Shaft.....	-	-	1
(B)	829 892 M1	Nut, Drive Shaft (for Pegged Shaft).....	1	1	1
(B)	829 905 M1	Nut, Drive Shaft (for Keyed Shaft).....	1	1	1
28 (A)	829 828 M1	Housing Assembly, Drive End.....	-	-	1
28 (B)	829 900 M1	Housing Assembly, Drive End.....	1	1	1
29 (A)	829 831 M1	Bushing.....	-	-	1
29 (B)	829 899 M1	Bushing.....	1	1	1
30 (A)	829 827 M1	Cover Assembly, Commutator End.....	-	-	1
30 (B)	829 890 M1	Cover Assembly, Commutator End.....	1	1	1
31	355 747 X1	Screw, Cover.....	1	1	1
32	358 990 X1	Nut, Cover Screw.....	1	1	1
33	829 888 M1	Bolt, Starter, Thru.....	2	2	2
	829 838 M91	Box of Parts.....	1	1	1
34	353 698 X1	Bolt (7/16 x 1" NC, Hex.).....	2	2	2
35	353 422 X1	Washer (7/16" Lock).....	2	2	2

Notes: (A) - Used Tractor Serial No. 200001 and up.
 (B) - Used prior to Tractor Serial No. 200001.
 (C) - Used Tractor Serial No. 18000 thru 200000.
 (D) - Used prior to Tractor Serial No. 18000.
 (E) - Used Tractor Serial No. 43552 thru 200000.
 (F) - Used prior to Tractor Serial No. 43552.
 (G) - For Lucas Starter 25519B to service Armature or Drive (Splined Type) order MF 1852 685 M91 (Lucas 256446) Armature and Drive Kit. See Spec. Dept. Parts Book List Book 5-46 (Lucas Engineering for Ferguson Tractor).

LAMP WIRING

F310-1



1st Print

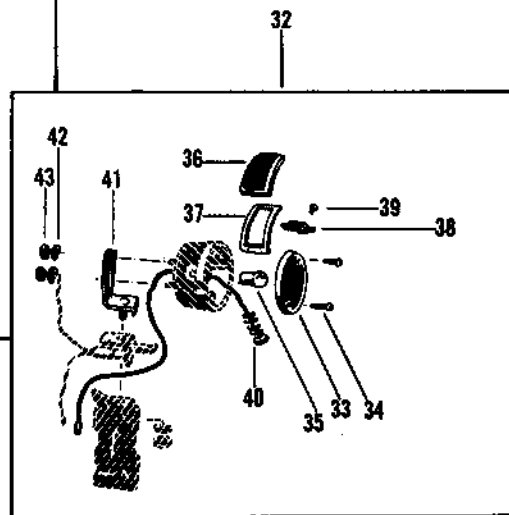
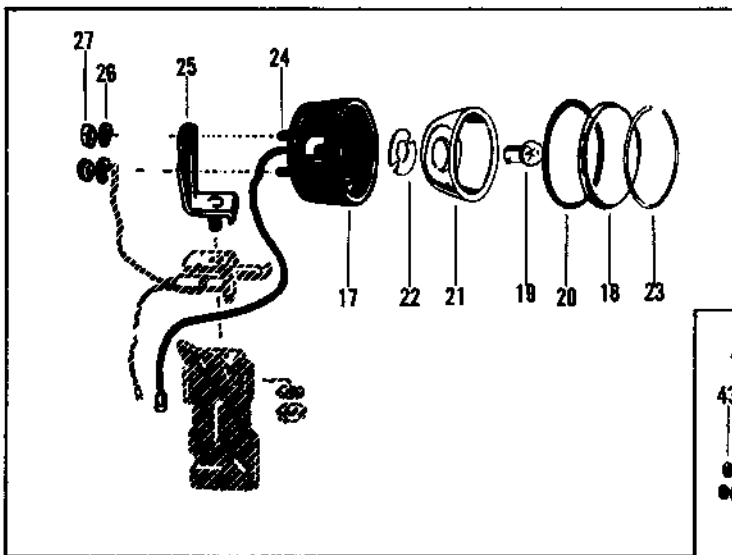
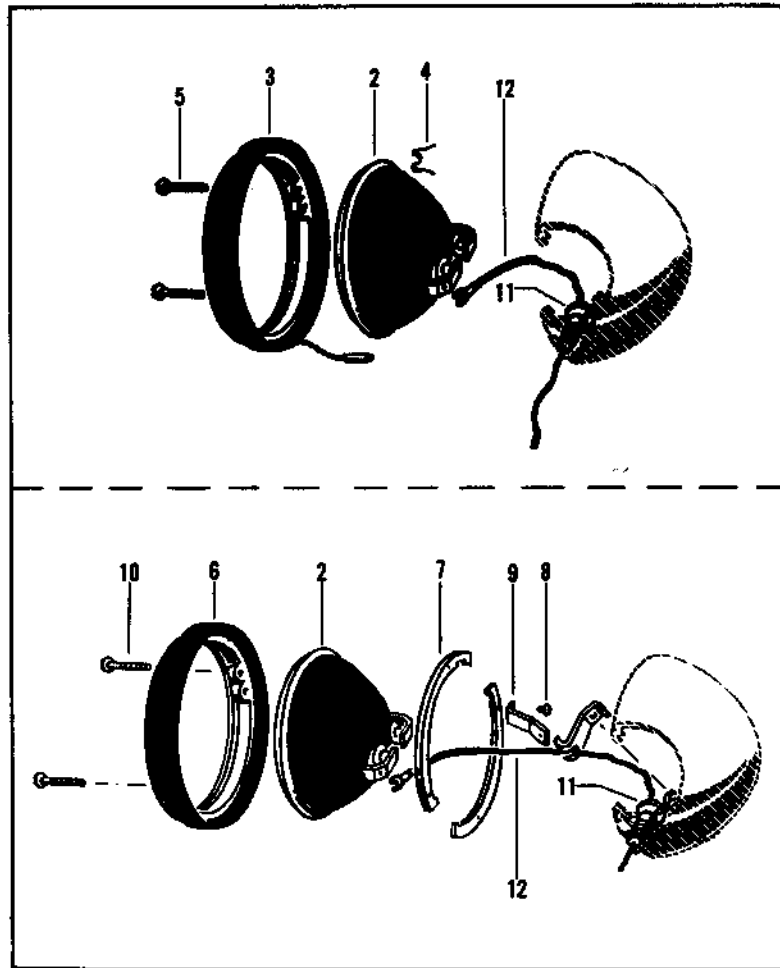
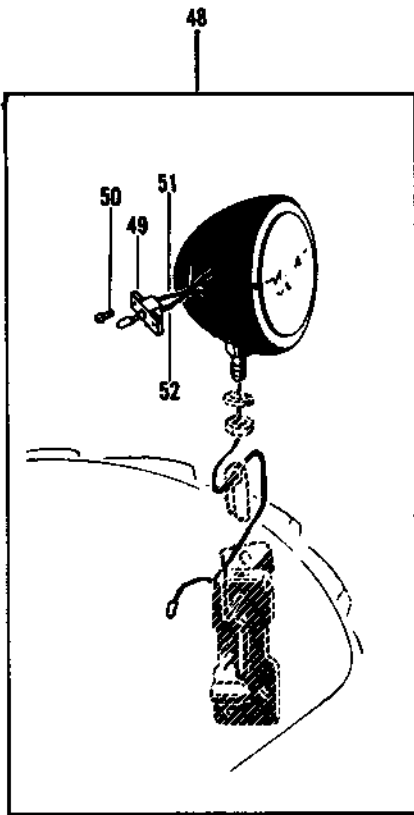
693 041 M4 (Issue 1) 5/73

LAMP WIRING

Ref. No.	Part No.	Description	No. Req.
1		Head Lamp Assembly (See Page 79 and 81).....	x
2	510 438 M1	Bracket, Head Lamp Mounting, Right Hand.....	1
2	510 439 M1	Bracket, Head Lamp Mounting, Left Hand.....	1
4	1 750 659 M1	Reinforcement, Head Lamp Bracket.....	2
5	1 750 681 M91	Harness Assembly, Head Lamps.....	1
6	187 531 M91	Connector Assembly (2 Way).....	2
	1 751 344 M91	Harness Assembly, Tail Lamps.....	1
8	1 750 616 M92	Wire Assembly, Main (45-3/4" Long).....	1
9	1 750 619 M91	Wire Assembly, Tail Lamp (63" Long).....	1
10	1 750 621 M91	Wire Assembly, Work Lamp (50-1/2" Long).....	1
11	1 750 602 M91	Wire Assembly, Fuse Holder.....	1
12	1 750 614 M1	Holder, Fuse.....	1
13	15 358 A	Fuse (20 Amp.).....	1
14	1 750 613 M1	Spring, Fuse Tension.....	1
15	1 750 603 M91	Wire Assembly, Switch to Holder.....	1
16	1 750 610 M91	Wire Assembly, Holder to Connector.....	1
17	187 531 M91	Connector Assembly (2 Way).....	1
18	1 750 618 M91	Connector Assembly (4 Way).....	3
22		Tail Lamp Assembly (See Page 79 and 81).....	x
23	1 750 674 M1	Bracket, Tail Lamp Mounting.....	1
24	1 751 353 M2	Socket, Auxiliary Lamp.....	1
25	1 751 606 M1	Boot, Socket.....	1
26		Work Lamp Assembly (See Page 79 and 81).....	x
27	1 750 673 M1	Bracket, Work Lamp Mounting.....	1
32	180 739 M1	Clip, Wire.....	3
33	1 750 686 M1	Clip, Wire.....	3
34	1 750 627 M1	Clip, Wire.....	1
35	1 751 387 M1	Clip, Wire.....	1
36	180 746 M2	Clip, Wire.....	4
37	1 750 679 M1	Clip, Wire.....	4
38	1 750 678 M1	Clip, Wire.....	2
39	353 514 X1	Bolt (5/16 x 3/8" NF, Hex.).....	2
40	353 755 X1	Washer (5/16" Small Flat).....	2
41	353 446 X1	Washer (5/16" Lock).....	2
42	353 432 X1	Washer (7/16" Lock).....	1
43	353 426 X1	Nut (7/16" NF, Hex.).....	1
44	195 982 M1	Nut (1/2" NF, Hex., Special).....	3
(6 VOLT)			
50	830 517 M91	Switch Kit, Lights.....	1
51	186 959 M91	Knob Assembly, Switch.....	1
52	1 751 341 M1	Nut, Lock, Switch Knob.....	1
53	1 751 338 M91	Switch Assembly.....	1
54	1 751 340 M1	Wire Assembly, Ignition to Switch.....	1
55	1 751 339 M91	Wire Assembly, Switch to Connector.....	1

LAMPS

F311-2



LAMPS

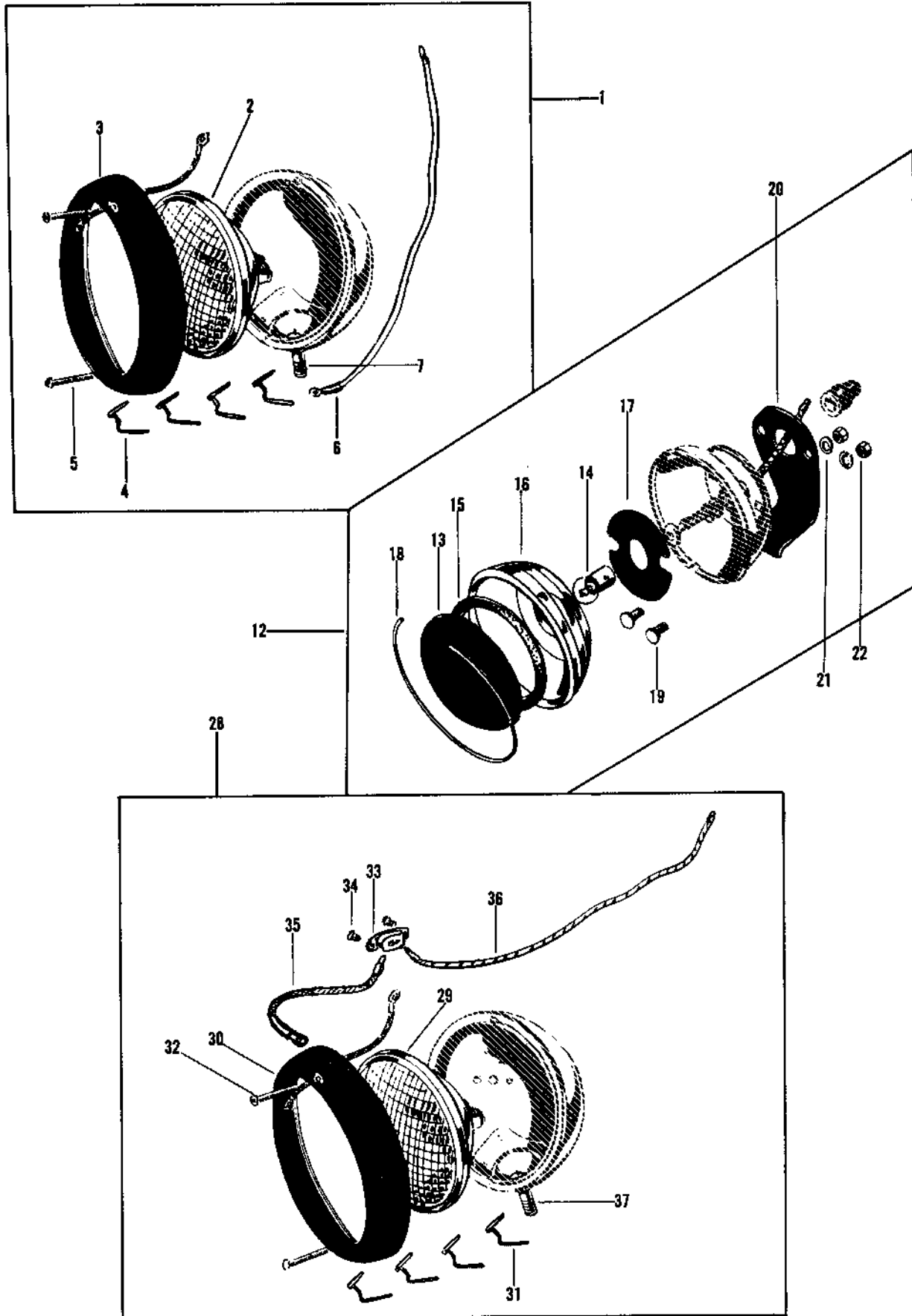
79

(6 VOLT)

<u>Ref. No.</u>	<u>Part No.</u>	<u>Description</u>	<u>No. Req.</u>
1	190 740 M91	Head Lamp Assembly, Right Hand (Order 231 495 M91).....	1
1	190 741 M91	Head Lamp Assembly, Left Hand (Order 231 495 M91).....	1
2	1 002 802 M91	Lamp Assembly.....	1
3	1 752 311 M91	Moulding Assembly (Stamped)(Optional w/Item 6).....	1
4	1 750 642 M1	Spring, Lamp Retaining (Used w/1752 311 M91 Moulding).....	4
5	353 979 X1	Screw, Moulding Retaining (#8 x 1-1/4" NC, Rd. Hd.)(Used with 1752 311 M91 Moulding).....	2
6	1 750 639 M1	Moulding (Cast)(Used w/Item 3)(Order 1 - 1752 311 M91 and 4 - 1750 642 M1).....	1
7	1 750 638 M1	Ring, Mounting (Used w/1750 639 M2 Moulding).....	2
8	1 752 309 M1	Screw, Mounting Ring Retaining (#8 x 3/8" NC, Rd. Hd.).....	4
9	1 750 640 M1	Strap, Ground (Used w/1750 639 M2 Moulding).....	1
10	357 357 X1	Screw, Moulding Retaining (#8 x 1-1/8" NC, Flat Hd.)(Used with 1750 639 M2 Moulding).....	2
11	1 751 524 M1	Bolt, Lamp Mounting (1/2" NF, Special).....	1
12	1 750 650 M91	Wire Assembly, Head Lamp.....	1
16	190 927 M91	Tail Lamp Assembly (4" Dia.).....	1
17	1 751 828 M91	Body Assembly, Lamp.....	1
18	1 751 837 M1	Lens, Tail Lamp.....	1
19	761 338 M1	Bulb, Tail Lamp.....	1
20	1 751 834 M1	Gasket, Lens.....	1
21	1 751 833 M1	Reflector, Tail Lamp.....	1
22	1 751 836 M1	Gasket, Reflector.....	1
23	1 751 838 M1	Spring, Lens and Reflector Retaining.....	1
24	1 751 835 M1	Bolt, Tail Lamp to Bracket (1/4" NC, Special).....	2
25	1 751 824 M91	Bracket Assembly, Tail Lamp Mounting.....	1
26	353 441 X1	Washer (1/4" Lock).....	2
27	355 564 X1	Nut (1/4" NC, Hex.).....	2
32	1 751 422 M91	Tail Lamp Assembly (3" Dia.)(Order 190 927 M91 & 1751 824 M91).....	1
33	1 751 413 M91	Lens, Tail Lamp (Order 190 927 M91).....	1
34	195 803 M1	Screw, Lens (#6 x 5/8" NC, Rd. Hd.).....	2
35	761 338 M1	Bulb, Tail Lamp.....	1
36	1 750 664 M1	Lens, License.....	1
37	1 750 666 M1	Gasket, License Lens.....	1
38	1 750 665 M1	Clip, Lens Retaining.....	2
39	195 850 M1	Screw, Clip (#6 x 5/16" NC, Rd. Hd.).....	2
40	1 750 668 M91	Wire Assembly, Tail Lamp.....	1
41	1 750 671 M91	Bracket Assembly, Tail Lamp Mounting.....	1
42	353 441 X1	Washer (1/4" Lock).....	2
43	355 564 X1	Nut (1/4" NC, Hex.).....	2
48	1 750 692 M91	Work Lamp Assembly.....	1
49	1 750 656 M1	Switch, Toggle.....	1
50	353 975 X1	Screw, Switch Retaining (5/32 x 1/4" NC, Rd. Hd.).....	2
51	1 750 657 M91	Wire, Switch to Bulb.....	1
52	1 750 687 M91	Wire Assembly, Connector to Switch.....	1

LAMPS

F311-51

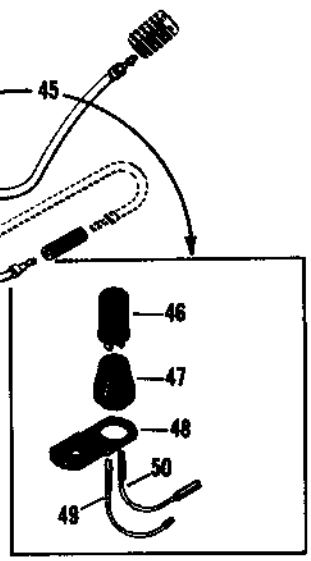
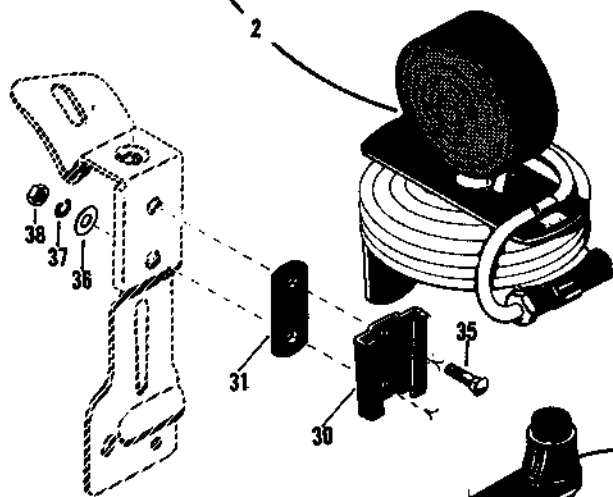
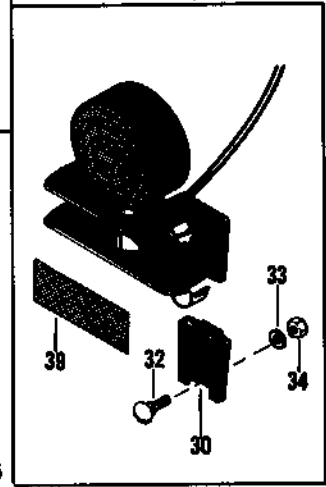
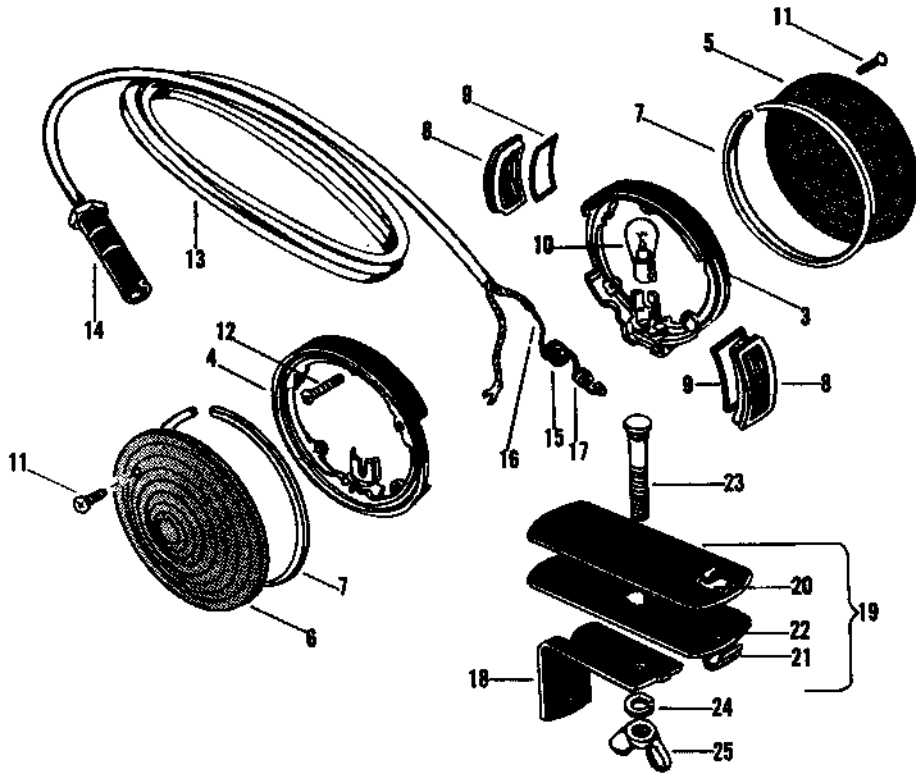


LAMPS
(12 VOLT)

<u>Ref. No.</u>	<u>Part No.</u>	<u>Description</u>	<u>No. Req.</u>
1	182 924 M91	Head Lamp Assembly, Right Hand (Order 186 141 M91).....	1
1	182 925 M91	Head Lamp Assembly, Left Hand (Order 186 142 M91).....	1
2	1 002 803 M91	Bulb Assembly.....	1
3	1 752 311 M91	Moulding Assembly.....	1
4	1 750 642 M1	Spring, Bulb Retaining.....	4
5	353 979 X1	Screw, Moulding Retaining (5/32 x 1-1/4" NC, Rd. Hd.).....	2
6	1 750 650 M91	Wire Assembly, Head Lamp.....	1
7	1 751 524 M1	Bolt, Lamp Mounting.....	1
12	1 751 821 M91	Tail Lamp Assembly.....	1
13	1 751 837 M1	Lens, Tail Lamp.....	1
14	22 131 X	Bulb, Tail Lamp.....	1
15	1 751 834 M1	Gasket, Lens.....	1
16	1 751 833 M1	Reflector, Tail Lamp.....	1
17	1 751 836 M1	Gasket, Reflector.....	1
18	1 751 838 M1	Spring, Lens and Reflector Retaining.....	1
19	1 751 835 M1	Bolt, Tail Lamp to Bracket (1/4" NC, Special).....	2
20	1 751 824 M91	Bracket Assembly, Tail Lamp Mounting.....	1
21	353 441 X1	Washer (1/4" Lock).....	2
22	355 564 X1	Nut (1/4" NC, Hex.).....	2
28	182 926 M91	Work Lamp Assembly.....	1
29	1 002 803 M91	Bulb Assembly.....	1
30	1 752 311 M91	Moulding Assembly.....	1
31	1 750 642 M1	Spring, Bulb Retaining.....	4
32	353 979 X1	Screw, Moulding Retaining (5/32 x 1-1/4" NC, Rd. Hd.).....	2
33	1 750 656 M1	Switch, Toggle.....	1
34	353 975 X1	Screw, Switch Retaining (5/32 x 1/4" NC, Rd. Hd.).....	2
35	1 750 657 M91	Wire Assembly, Switch to Bulb.....	1
36	1 750 687 M91	Wire Assembly, Switch to Connector.....	1
37	1 751 524 M1	Bolt, Lamp Mounting.....	1

ELECTRICAL ACCESSORIES

F310-51



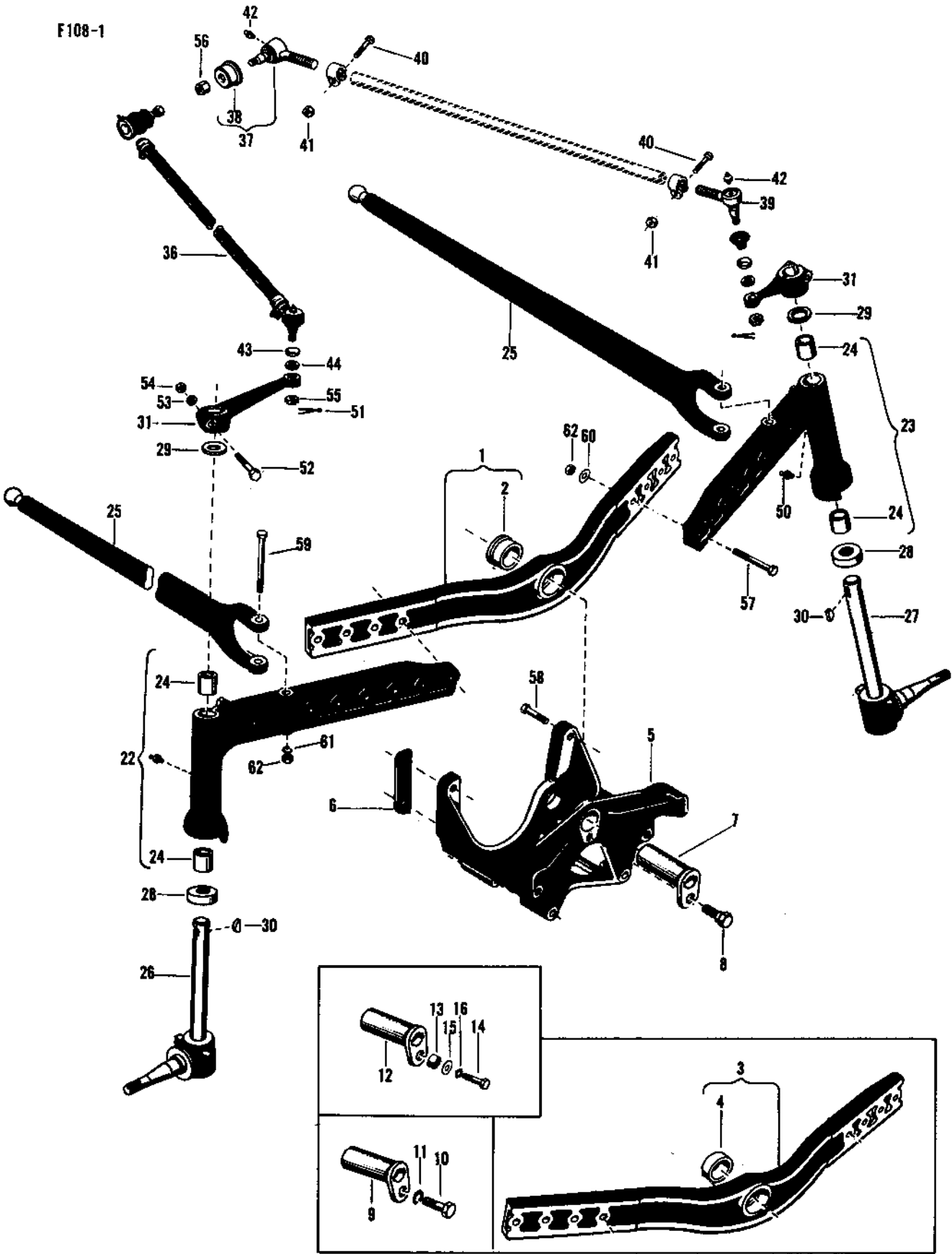
ELECTRICAL ACCESSORIES

83

<u>Ref. No.</u>	<u>Part No.</u>	<u>Description</u>	<u>No. Req.</u>
1	677 252	Safety Lamp Kit (12 Volt).....	1
2	1 751 713 M91	Lamp Assembly.....	1
3	1 751 491 M1	Body, Male Half.....	1
4	1 751 492 M1	Body, Female Half.....	1
5	1 751 507 M1	Lens, Amber.....	1
6	1 751 506 M1	Lens, Red.....	1
7	1 751 489 M1	Gasket, Lens.....	2
8	1 751 496 M1	Lens, Side.....	2
9	1 751 499 M1	Gasket, Side Lens.....	2
10	1 751 483 M1	Bulb, Safety Lamp (12 Volt).....	1
10	1 751 509 M1	Bulb, Safety Lamp (6 Volt)(Not part of 677 252 Kit; must be ordered as separate item).....	1
11	1 751 711 M1	Screw, Lens Retaining (#8 - 32 x 5/8" Phillips Hd.).....	6
12	1 751 751 M1	Screw, Body Retaining (#8 - 32 x 1" Rd. Hd.).....	3
13	1 751 497 M91	Cable Assembly.....	1
14	1 750 236 M91	Plug Assembly, Cable End.....	1
15	1 751 488 M1	Grommet, Cable (in Body).....	1
16	1 751 486 M91	Wire Assembly.....	1
17	1 751 484 M1	Spring, Wire.....	1
18	1 751 495 M1	Bracket, Lamp Mounting.....	1
19	1 751 505 M91	Plate Assembly, Cable Storage.....	1
20	1 751 502 M1	Clip, Upper Plate.....	1
21	1 751 504 M1	Clip, Lower Plate.....	1
22	1 751 710 M1	Rivet, Clip Retaining (1/8 x 3/16" Rd. Hd.).....	4
23	1 751 500 M1	Stud, Lamp Mounting (7/16" NF, Special).....	1
24	353 432 X1	Washer (7/16" Lock).....	1
25	353 595 X1	Nut (7/16" NF, Wing).....	1
30	542 748 M1	Socket, Bracket Holding.....	2
31	186 987 M1	Spacer, Socket (to Tail Light Bracket).....	1
32	353 791 X1	Bolt, Socket to Implement (5/16 x 5/8" NF, Carr.).....	2
33	353 446 X1	Washer (5/16" Lock).....	2
34	353 916 X1	Nut (5/16" NF, Hex.).....	2
35	353 792 X1	Bolt, Socket to Tail Light Bracket (5/16 x 3/4" NF, Carr.).....	2
36	353 771 X1	Washer (5/16" Large Flat).....	2
37	353 446 X1	Washer (5/16" Lock).....	2
38	353 917 X1	Nut (5/16" NF, Half Hex.).....	2
39	1 751 707 M1	Tape, Reflector.....	1
45	677 280	Flasher Kit, Implement Safety Lamp.....	1
46	1 018 391 M1	Flasher.....	1
47	1 018 392 M1	Base, Flasher.....	1
48	1 018 393 M1	Bracket, Flasher Mounting.....	1
49	1 018 394 M91	Wire Assembly (Long).....	1
50	1 018 395 M1	Wire Assembly (Short).....	1

FRONT AXLE

F108-1



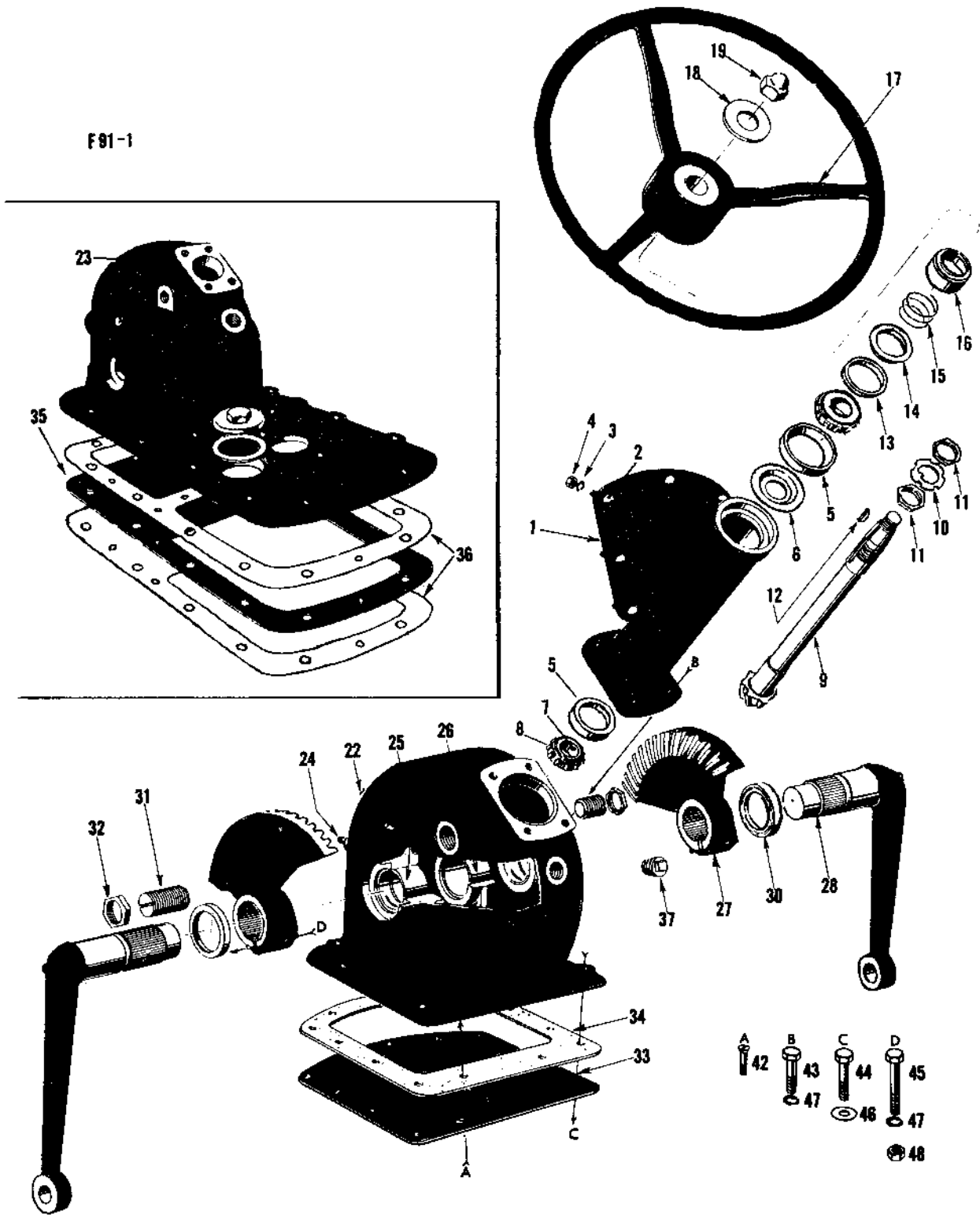
FRONT AXLE

Ref. No.	Part No.	Description	TO 30	TO 20	TE 20	TE-A 20
1	183 219 M91	Axle Assembly, Front.....	1	1	1	1
2	182 850 M1	Bushing, Axle (Flanged).....	1	1	1	1
3	180 342 M91	Axle Assembly, Front (Order 183 219 M91 & 183 221 M1)....	1	1	1	1
4	180 344 M1	Bushing (1-49/64 x 1-29/32 x 1-1/2").....	2	2	2	2
5	181 302 M91	Support Assembly, Front Axle.....	1	1	1	-
5	825 086 M91	Support Assembly, Front Axle.....	-	-	-	1
6	181 299 M1	Spacer, Support.....	1	-	-	-
7	183 221 M1	Pin, Pivot (5-1/8" Long, 7/8" Bolt Hole and 1" Dia. Crank Hole).....	1	1	-	-
8	181 953 M2	Bolt, Pivot Pin (5/8 x 1-21/32" NF, Hex., w/7/8" Dia. Shoulder).....	1	1	-	-
9	183 223 M1	Pin, Pivot (4-1/8" Long, 9/16" Bolt Hole and 1" Dia. Crank Hole).....	-	1	1	-
9	825 002 M1	Pin, Pivot (4-1/4" Long, 9/16" Bolt Hole and 3/4" Dia. Crank Hole).....	-	-	-	1
10	353 592 X1	Bolt, Pivot Pin (1/2 x 1-1/8" NF, Hex.).....	-	1	1	1
11	353 439 X1	Washer (1/2" Lock).....	-	1	1	1
12	183 222 M1	Pin, Pivot (5-1/8" Long, 5/8" Bolt Hole and 1" Dia. Crank Hole).....	-	1	-	-
13	181 303 M1	Bushing, Pivot Pin (7/16 x 19/32 x 25/64").....	-	1	-	-
14	353 561 X1	Bolt, Pivot Pin (7/16 x 1-1/4" NF, Hex.).....	-	1	-	-
15	353 772 X1	Washer (7/16" Small Flat).....	-	1	-	-
16	353 432 X1	Washer (7/16" Lock).....	-	1	-	-
22	180 326 M91	Extension Assembly, Right Hand (Incl. item 24).....	1	1	1	1
23	180 327 M91	Extension Assembly, Left Hand.....	1	1	1	1
24	180 345 M1	Bushing (1-1/4 x 1-3/8 x 1-1/2").....	2	2	2	2
25	180 351 M91	Rod Assembly, Radius.....	2	2	2	2
26 (A)	180 346 M92	Spindle Assembly, Right Hand.....	1	1	1	1
26 (B)	825 621 M1	Spindle Assembly, Right Hand.....	-	-	1	-
27 (A)	180 349 M92	Spindle Assembly, Left Hand.....	1	1	1	1
27 (B)	825 622 M1	Spindle Assembly, Left Hand.....	-	-	1	-
28	18 560 X	Bearing, Thrust.....	2	2	2	2
29	180 355 M2	Seal, Dust (1-1/4 x 1-13/16 x 9/32").....	2	2	2	2
30	350 355 X1	Key, Steering Arm (5/16 x 1-1/4" Woodruff).....	2	2	2	2
31	180 350 M1	Arm, Steering.....	2	2	2	2
36	180 359 M91	Tie Rod Assembly.....	1	1	1	1
37	180 391 M91	End Assembly, Rear.....	1	1	-	-
37	181 582 M91	End Assembly, Rear.....	-	-	1	1
38	196 099 M1	Cover Assembly, Dust.....	1	1	1	1
39	180 381 M91	End Assembly, Front.....	1	1	-	-
39	825 695 M91	End Assembly, Front.....	-	-	1	1
40	353 521 X1	Bolt, Clamp (5/16 x 1-1/4" NF, Hex.).....	2	2	2	2
41	195 454 M1	Nut, Clamp Bolt (5/16" NF, Hex.).....	2	2	2	2
42	17 914 A	Grease Fitting (1/4" NF, Str.)(Or. 1900 487 M92, Pkg. of 10).....	2	2	-	-
42	29 951 X	Grease Fitting (1/4" NF, 45°)(Or. 1900 488 M92, Pkg. of 10).....	-	-	2	2
43	180 361 M1	Retainer, Grease.....	2	2	-	-
44	180 360 M1	Cover, Dust, Front End.....	2	2	2	2
50	365 572 X1	Grease Fitting (1/8" P.T. Str.)(Order 1900 482 M92, Pkg. of 10).....	x	x	x	x
51	354 057 X1	Cotter Pin (1/8 x 3/4").....	x	x	x	x
52	353 572 X1	Bolt (7/16 x 2-5/8" NF, Hex.).....	x	x	x	x
53	353 432 X1	Washer (7/16" Lock).....	x	x	x	x
54	353 426 X1	Nut (7/16" NF, Hex.).....	x	x	x	x
55	353 926 X1	Nut (1/2" NF, Hex., Sltd.).....	x	x	x	x
56	195 259 M1	Nut (1/2" NF, Hex., Special).....	x	x	x	x
57	353 622 X1	Bolt (5/8 x 2-7/8" NF, Hex.).....	x	x	x	x
58	353 625 X1	Bolt (5/8 x 3-1/4" NF, Hex.).....	x	x	x	x
59	353 642 X1	Bolt (5/8 x 5-5/16" NF, Hex.).....	x	x	x	x
60	353 774 X1	Washer (5/8" Large Flat).....	x	x	x	x
61	353 433 X1	Washer (5/8" Lock).....	x	x	x	x
62	353 427 X1	Nut (5/8" NF, Hex.).....	x	x	x	x

Notes: (A) - Used Tractor Serial No. (TE-20) 49999 and up.
 (B) - Used prior to Tractor Serial No. (TE-20) 49999.

STEERING GEAR

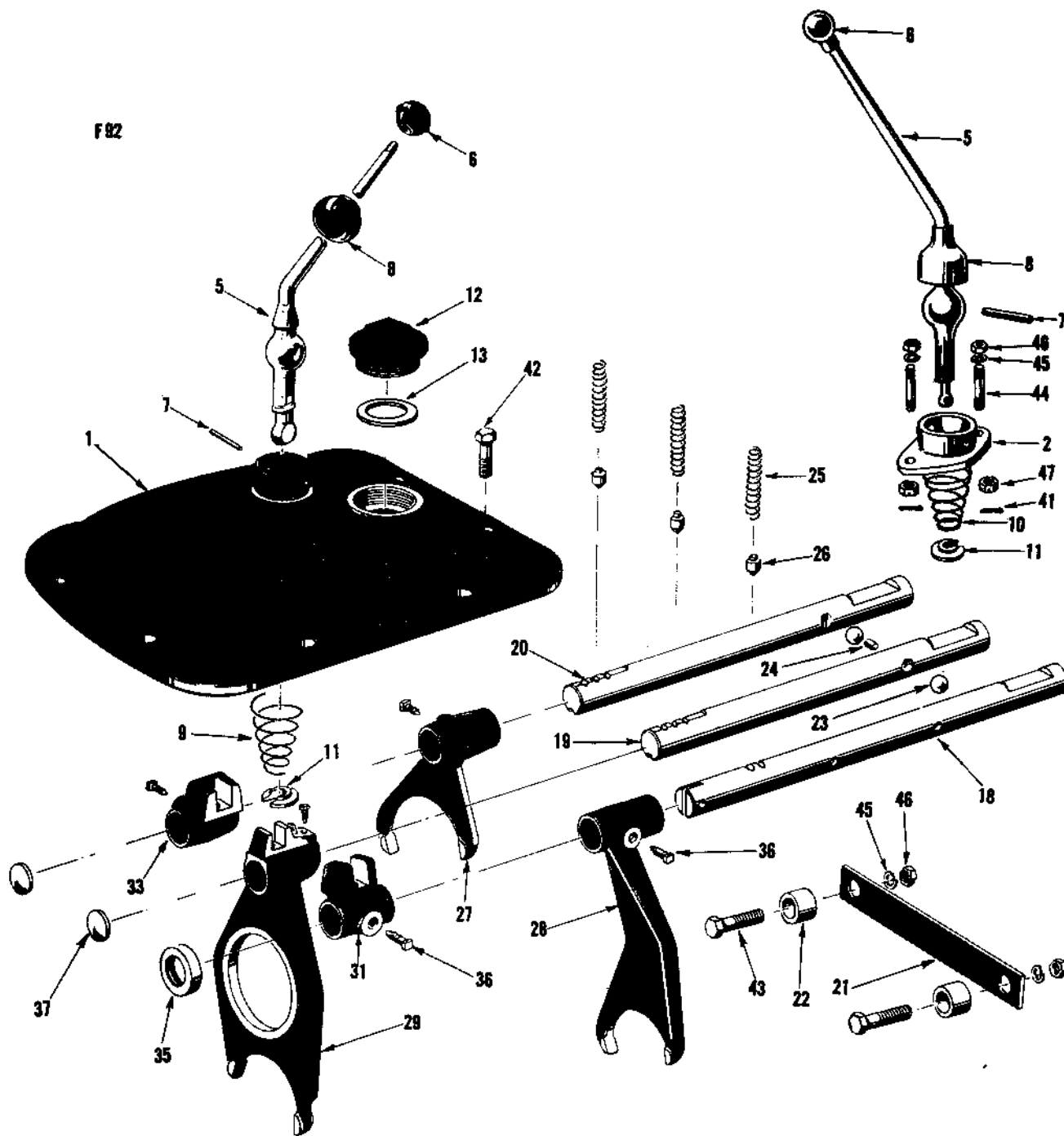
F91-1



STEERING GEAR

Ref. No.	Part No.	Description	TE-A20				
			TO 30	TO 20	TE 20	80 MM	85 MM
1	825 623 M1	Housing Assembly, Upper.....	1	1	1	1	1
2	826 732 M1	Bolt (5/16 x 27/32" NF, Carr., Special).....	7	7	7	7	7
3	353 446 X1	Washer (5/16" Lock).....	7	7	7	7	7
4	353 916 X1	Nut (5/16" NF, Hex.).....	7	7	7	7	7
5	760 907 M1	Cup, Bearing.....	2	2	2	2	2
6	181 375 M1	Retainer, Oil.....	1	1	1	1	1
7	832 397 M1	Cone, Bearing.....	2	2	2	2	2
8	760 906 M1	Roller, Bearing Cone.....	2	2	2	2	2
9	181 365 M1	Shaft, Steering.....	1	1	1	1	1
10	181 376 M1	Washer, Steering Shaft.....	1	1	1	1	1
11	195 852 M1	Nut, Lock, Shaft (13/16" - 28 Hex.).....	2	2	2	2	2
12	2 951 X	Key (3/16 x 3/4" Woodruff).....	1	1	1	1	1
13	181 377 M1	Seal, Dust, Steering Column.....	1	1	1	1	1
14	181 378 M1	Retainer, Dust Seal.....	1	1	1	1	1
15	181 390 M1	Spring, Dust Seal.....	1	1	1	1	1
16	890 576 M1	Cap, Spring Retaining.....	1	1	1	1	1
17	180 576 M1 ✓	Wheel, Steering.....	1	1	1	1	1
18	180 577 M1	Washer (21/32 x 1-27/32 x 1/16").....	1	1	1	1	1
19	195 592 M1	Nut, Dome, Steering.....	1	1	1	1	1
22	181 364 M91	Housing Assembly, Lower (Incl. items #24 thru 26).....	1	1	-	-	-
23	825 565 M91	Housing Assembly, Lower (Incl. items #24 thru 26).....	-	-	1	1	1
24	353 960 X1	Stud (7/16" NC-NF x 1-1/8").....	2	2	2	2	2
25	180 363 M1	Bushing, Outer (1-5/16 x 1-7/16 x 1-13/64").....	2	2	2	2	2
26	195 783 M1	Bushing, Inner (1-1/8 x 1-7/16 x 1-1/8").....	1	1	1	1	1
27	890 745 M1	Sector, Steering Gear.....	2	2	2	2	2
28	181 369 M2	Arm, Steering.....	2	2	2	2	2
30	195 761 M1	Seal, Oil (1-5/16 x 1-7/8 x 7/16").....	2	2	2	2	2
31	181 367 M1	Screw, Adjusting, Steering Gear.....	2	2	2	2	2
32	353 436 X1	Nut, Lock (3/4" NF, Half Hex.).....	2	2	2	2	2
33	181 372 M1	Plate, Lower Housing.....	1	1	-	-	-
34	181 373 M1	Gasket, Lower Housing.....	1	1	-	-	-
35	825 620 M1	Plate, Lower Housing.....	-	-	1	1	1
36	825 697 M1	Gasket, Lower Housing.....	-	-	2	2	2
37	195 251 M1	Plug (3/4" Pipe, Sq. Hd.).....	1	1	1	1	1
42	354 019 X1	Screw (#10 - 24 x 3/8" Flat Hd.).....	x	x	-	-	-
42	825 559 M1	Screw, Plate to Lower Housing.....	-	-	x	x	x
43	353 701 X1	Bolt (7/16 x 1-3/8" NC, Hex.).....	x	x	x	x	x
44	353 702 X1	Bolt (7/16 x 1-1/2" NC, Hex.).....	x	x	x	x	x
45	354 892 X1	Bolt (7/16 x 2-5/16" NF, Hex.).....	x	x	x	x	x
46	353 757 X1	Washer (7/16" Small Flat).....	x	x	x	x	x
47	353 432 X1	Washer (7/16" Lock).....	x	x	x	x	x
48	353 426 X1	Nut (7/16" NF, Hex.).....	x	x	x	x	x

GEAR SHIFT



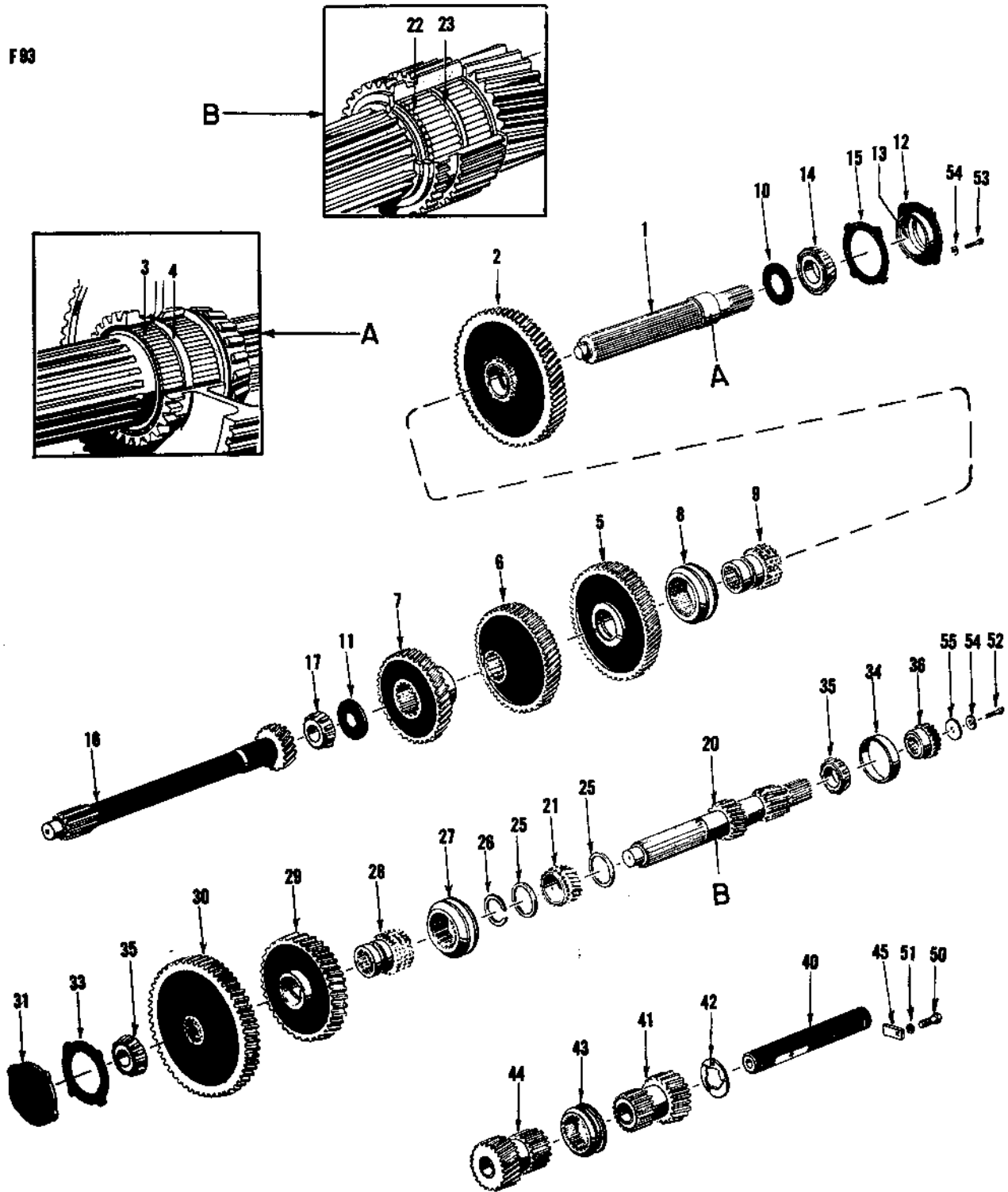
GEAR SHIFT

Ref. No.	Part No.	Description	TE-A20				
			TO 30	TO 20	TE 20	80 MM	85 MM
1	181 515 M91	Cover Assembly, Gear Shift.....	1	1	-	-	-
2	825 609 M1	Cup, Gear Shift Lever.....	-	-	1	1	1
	825 571 M1	Gasket, Cup.....	-	-	1	1	1
	825 588 M1	Plate, Stop.....	-	-	1	1	1
5	825 865 M91	Lever, Gear Shift.....	1	1	1	1	1
6	180 006 M91	Ball, Shifter Lever.....	1	1	1	1	1
7	180 581 M1	Pin (1/4 x 1-3/4" Special).....	1	1	1	1	1
8	520 858 M1	Cover, Shifter Lever.....	1	1	1	1	1
9	192 007 M1	Spring, Lever.....	1	1	-	-	-
10	825 512 M1	Spring, Lever.....	-	-	1	1	1
11	180 583 M1	Seat, Lever Spring.....	1	1	1	1	1
12	768 300 M1	Plug, Filler.....	1	1	-	-	-
12	181 467 M1	Plug, Filler.....	-	-	1	1	1
13	181 468 M1	Gasket, Filler Plug.....	-	-	1	1	1
18	181 610 M1	Rail, Shifter, Reverse.....	1	1	1	1	1
19	181 609 M1	Rail, Shifter, 3rd and 4th.....	1	1	1	1	1
20	181 608 M1	Rail, Shifter, 1st and 2nd.....	1	1	1	1	1
21	181 613 M1	Plate, Stop.....	1	1	1	1	1
22	181 607 M1	Spacer, Stop Plate (29/64 x 7/8 x 5/8").....	2	2	2	2	2
23	22 200 X	Ball, Inner Locking (1/2" Dia.).....	2	2	2	2	2
24	181 606 M1	Pin, Inner Locking (1/4 x 5/8").....	1	1	1	1	1
25	180 005 M1	Spring, Shifter Rail Locking.....	3	3	3	3	3
26	180 001 M1	Plunger, Shifter Rail Locking.....	3	3	3	3	3
27	825 871 M1	Fork, Shifter, 1st and 2nd.....	1	1	1	1	1
28	181 517 M1	Fork, Shifter, Reverse.....	1	1	1	1	1
29	181 519 M1	Fork, Shifter, 3rd and 4th.....	1	1	-	-	-
29	825 624 M1	Fork, Shifter, 3rd and 4th.....	-	-	1	1	1
31	181 612 M1	Selector, Fork, Reverse.....	1	1	-	-	-
31	825 566 M1	Selector, Fork, Reverse.....	-	-	1	1	1
33	181 611 M1	Selector, Fork, 1st and 2nd.....	1	1	-	-	-
33	825 584 M1	Selector, Fork, 1st and 2nd.....	-	-	1	1	1
35	18 542 X	Seal, Oil (3/4 x 1-1/4 x 3/8").....	1	1	1	1	1
36	881 144 M1	Screw, Lock, Fork and Selector.....	5	5	5	5	5
37	14 012 X	Plug (7/8" Exp.).....	2	2	2	2	2
41	354 048 X1	Cotter Pin (3/32 x 3/4").....	-	-	x	x	x
42	353 697 X1	Bolt (7/16 x 7/8" NC, Hex.).....	x	x	-	-	-
43 (A)	353 566 X1	Bolt (7/16 x 1-7/8" NF, Hex.).....	x	x	x	x	x
43 (B)	825 397 M1	Stud, Gear Lever Stop.....	-	-	-	-	x
	(B) 825 043 M1	Washer, Tab, Stop Stud.....	-	-	-	-	x
44	825 539 M1	Stud, Gear Shift.....	-	-	x	x	x
45	353 432 X1	Washer (7/16" Lock).....	x	x	x	x	x
46	353 426 X1	Nut (7/16" NF, Hex.).....	x	x	x	x	x
47	353 925 X1	Nut (7/16" NF, Hex., Sltd.).....	-	-	x	x	x

Notes: (A) - Used prior to Tractor Serial No. (TE-A20) 200001.
 (B) - Used Tractor Serial No. (TE-A20) 200001 and up.

TRANSMISSION

F89

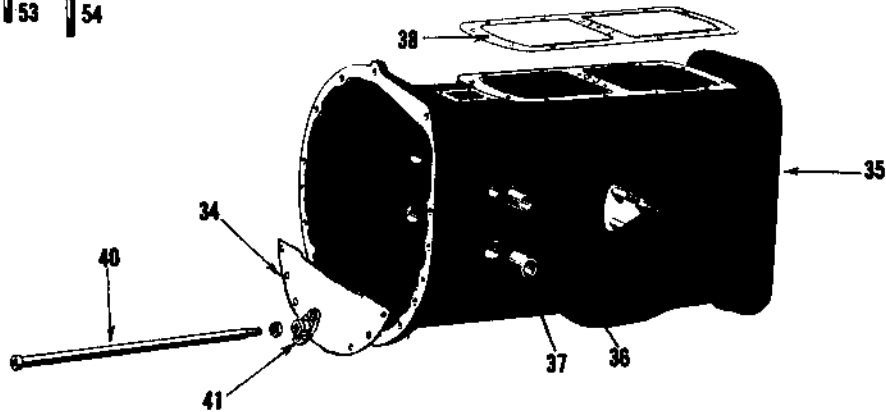
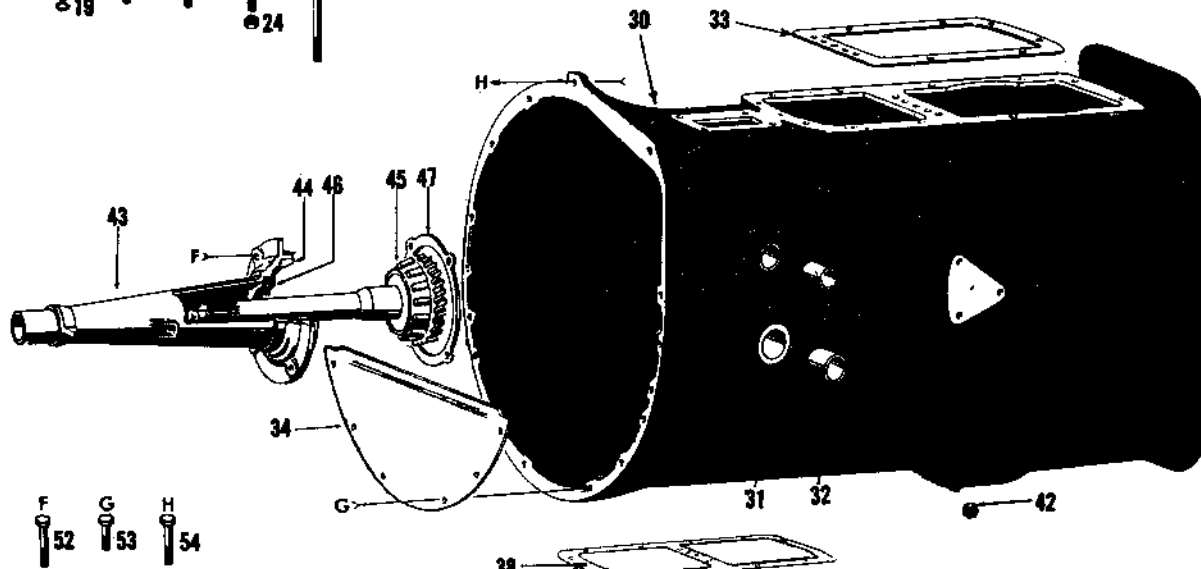
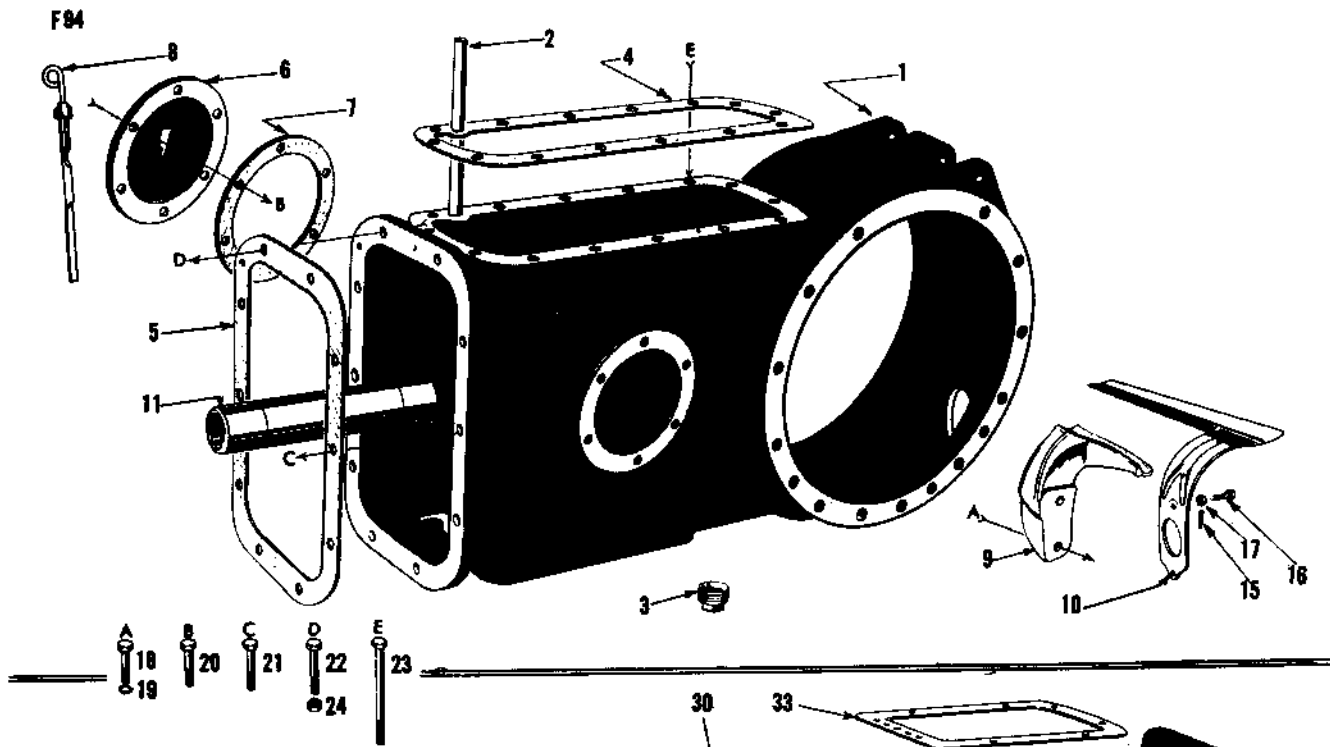


TRANSMISSION

Ref. No.	Part No.	Description	TE-A20				
			TO 30	TO 20	TE 20	80 MM	85 MM
1	181 471 M1	Shaft, Main.....	1	1	-	-	-
1	825 579 M1	Shaft, Main.....	-	-	1	1	1
2	181 477 M1	Gear, Main Shaft, 1st.....	1	1	-	-	-
2	825 619 M91	Gear Assembly, Main Shaft, 1st.....	-	-	1	1	1
3	181 617 M1	Roller, 1st Gear (52 per path).....	104	104	-	-	-
4	181 472 M1	Spacer, Rollers (1-61/64 x 2-1/8 x 3/16").....	1	1	-	-	-
5	181 485 M91	Gear Assembly, Main Shaft, 2nd.....	1	1	1	1	1
6	181 478 M1	Gear, Main Shaft, 3rd.....	1	1	1	1	1
7	890 676 M1	Gear, Main Shaft, 4th.....	1	1	1	1	1
8	181 480 M1	Coupling, Sliding.....	1	1	-	-	-
9	181 479 M1	Connector, Sliding Coupling.....	1	1	-	-	-
9	825 574 M91	Coupling Assembly, w/Connector.....	-	-	1	1	1
10	181 473 M1	Washer, Thrust, Rear (1-49/64 x 2-1/2 x 13/64").....	1	1	1	1	1
11	181 474 M1	Washer, Thrust, Front (1-7/32 x 2-1/8 x 13/64").....	1	1	1	1	1
12	181 475 M91	Retainer Assembly, Main Shaft Bearing.....	1	1	1	1	1
13	15 854 X	Cup, Bearing.....	1	1	1	1	1
14	15 853 X	Cone, Bearing.....	1	1	1	1	1
15	181 489 M1	Shim, Retainer (.003").....	x	x	x	x	x
15	181 490 M1	Shim, Retainer (.005").....	x	x	x	x	x
15	181 491 M1	Shim, Retainer (.012").....	x	x	x	x	x
15	181 492 M1	Shim, Retainer (.025").....	x	x	x	x	x
16	890 727 M1	Shaft, Pinion, Main Drive.....	1	1	1	1	1
17	195 746 M1	Cone, Bearing.....	1	1	1	1	1
20	181 482 M1	Countershaft.....	1	1	-	-	-
20 (A)	825 069 M1	Countershaft.....	-	-	-	1	1
20 (B)	825 618 M91	Countershaft.....	-	-	1	1	-
21	181 484 M1 ✓	Gear, Countershaft, 3rd.....	1	1	-	-	-
21 (A)	825 070 M91	Gear Assembly, Countershaft, 3rd.....	-	-	-	1	1
21 (B)	825 578 M1	Gear, Countershaft, 3rd.....	-	-	1	1	-
22	181 616 M1	Roller, 3rd Gear (38 per path).....	76	76	-	-	-
23	181 614 M1	Spacer, Rollers (1-3/4 x 2 x 5/64").....	3	3	-	-	-
	825 700 M1	Bushing, 3rd Gear.....	-	-	1	1	1
25	181 615 M1	Washer, Thrust, Countershaft.....	2	2	-	-	2
25 (A)	825 759 M1	Washer, Thrust, Countershaft.....	-	-	-	2	2
25 (B)	825 537 M1	Washer, Thrust, Countershaft.....	-	-	2	2	-
26	195 284 M1	Ring, Snap, 3rd Gear Retaining.....	1	1	-	-	-
27	181 480 M1	Coupling, Sliding.....	1	1	-	-	-
28	181 487 M1	Connector, Sliding Coupling.....	1	1	-	-	-
28 (A)	825 029 M91	Gear Assembly, Connecting.....	-	-	-	1	1
28 (A)	825 027 M1	Collar, Split (w/825 029 M91).....	-	-	-	2	2
28 (B)	825 574 M91	Coupling Assembly, w/Connector.....	-	-	1	1	-
29	890 738 M91	Gear Assembly, Countershaft, 4th.....	1	1	1	1	1
30	181 483 M1	Gear, Countershaft.....	1	1	1	1	1
31	181 488 M91	Retainer Assembly, Countershaft Bearing.....	1	1	1	1	1
	15 854 X	Cup, Bearing.....	1	1	1	1	1
33	181 476 M1	Gasket, Retainer.....	1	1	1	1	1
34	15 854 X	Cup, Bearing.....	1	1	1	1	1
35	15 853 X	Cone, Bearing.....	2	2	2	2	2
36	181 174 M1	Hub, P.T.O. Clutch.....	1	1	1	1	1
40	181 493 M1	Shaft, Reverse Gear.....	1	1	1	1	1
41	181 494 M91	Gear Assembly, Reverse Idler.....	1	1	1	1	1
42 (C)	181 498 M1	Washer, Thrust, Reverse Gear.....	1	1	-	-	-
42 (D)	181 497 M1	Washer, Thrust, Reverse Gear.....	-	1	1	1	1
43	181 495 M1	Coupling, Sliding, Reverse Shaft.....	1	1	1	1	1
44	181 496 M91	Gear Assembly, Reverse Drive.....	1	1	1	1	1
45	180 476 M1	Stop, Reverse Gear Shaft.....	1	1	1	1	1
	181 465 M91	Transmission Assembly (Complete).....	1	-	-	-	-
	181 464 M91	Transmission Assembly (Complete).....	-	1	1	1	1
50 (C)	353 678 X1	Bolt (5/16 x 7/8" NC, Hex.).....	x	x	-	-	-
50 (D)	181 499 M1	Bolt (5/16 x 1-3/8" NC, Hex., Special).....	-	x	x	x	x
51	353 446 X1	Washer (5/16" Lock).....	x	x	x	x	x
52	353 538 X1	Bolt (3/8 x 1" NF, Hex.).....	x	x	x	x	x
53	353 692 X1	Bolt (3/8 x 1-1/8" NC, Hex.).....	x	x	-	-	-
53	353 693 X1	Bolt (3/8 x 1-1/4" NC, Hex.).....	-	-	x	x	x
54	353 434 X1	Washer (3/8" Lock).....	x	x	x	x	x
55	364 265 X1	Washer (13/32 x 1-1/2 x 9/64").....	x	x	x	x	x

Notes: (A) - Used Tractor Serial No. 146308 and up.
 (B) - Used prior to Tractor Serial No. 146308.
 (C) - Used Tractor Serial No. 31946 and up.
 (D) - Used prior to Tractor Serial No. 31946.

CENTER HOUSING, TRANSMISSION CASE

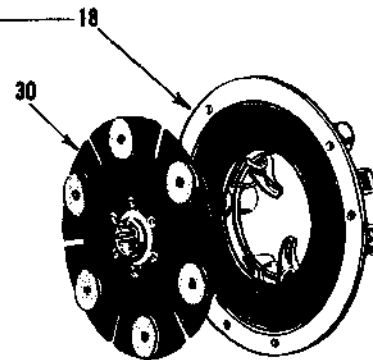
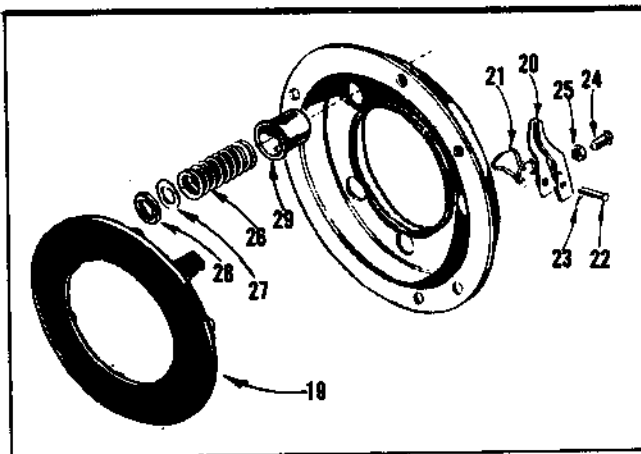
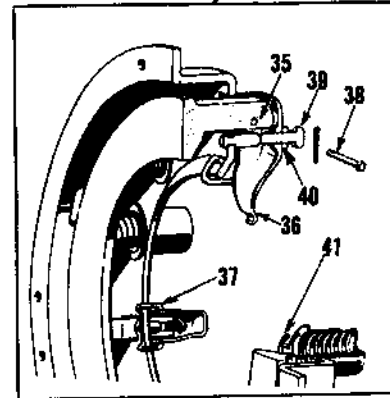
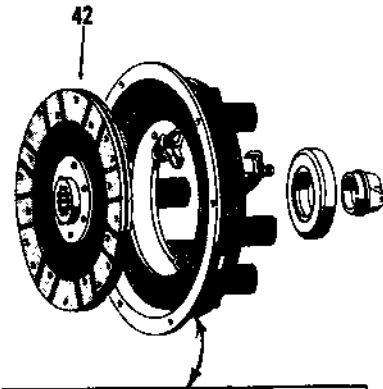
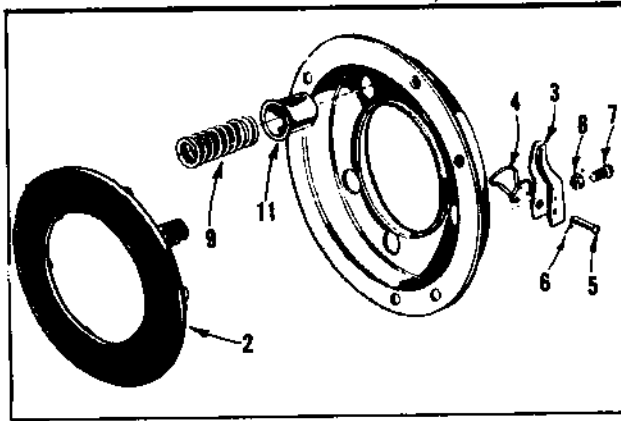
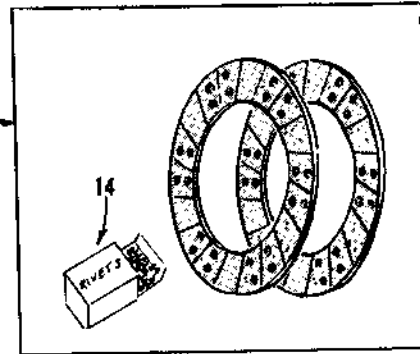
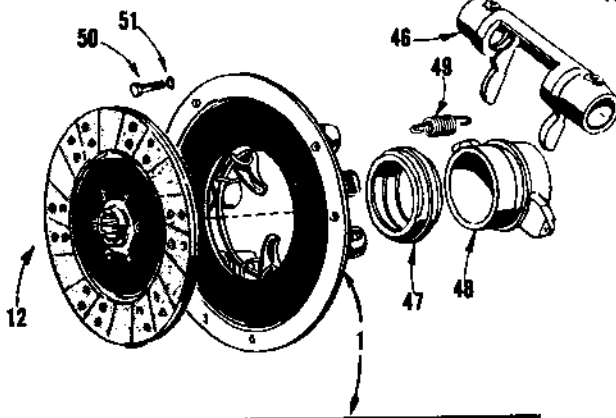


CENTER HOUSING, TRANSMISSION CASE

Ref. No.	Part No.	Description	TE-A20				
			TO 30	TO 20	TE 20	80 MM	85 MM
1	181 399 M91	Housing Assembly, Center.....	1	-	-	-	-
1 (A)	825 468 M91	Housing Assembly, Center.....	-	-	-	-	1
1 (B)	825 838 M91	Housing Assembly, Center.....	-	1	1	1	1
2	181 061 M1	Tube, Oil, Center Housing.....	2	2	2	2	2
3	195 251 M1	Plug, Drain, Center Housing.....	1	1	1	1	1
4	180 881 M1	Gasket, Hydraulic Lift Cover.....	1	1	1	1	1
5	521 181 M1	Gasket, Center Housing to Transmission Case.....	1	1	1	1	-
5	521 181 M1	Gasket, Center Housing to Transmission Case.....	-	-	-	-	1
6	181 218 M91	Cover, Oil Level Indicator.....	1	1	1	1	1
7	181 217 M1	Gasket, Oil Level Cover.....	2	2	2	2	2
8	193 400 M1	Indicator, Oil Level.....	1	1	-	-	-
8	825 504 M1	Indicator, Oil Level.....	-	-	1	1	1
9 (A)	825 774 M1	Trough, Oil, Differential Bearing (L.H.).....	1	-	-	-	1
9 (B)	825 607 M1	Block, Thrust, Driving Gear.....	-	-	1	1	1
9	181 798 M1	Block, Thrust, Driving Gear.....	-	1	-	-	-
10 (A)	181 225 M91	Trough Assembly, Oil, Differential Bearing (R.H.).....	1	-	-	-	1
10 (B)	181 432 M91	Trough Assembly, Oil, Differential Bearing (R.H.).....	-	1	1	1	1
11	825 933 M91	Shaft Assembly, Drive.....	1	1	1	1	1
15	354 039 X1	Cotter Pin (1/16 x 1/2").....	x	x	x	x	x
16	354 007 X1	Bolt (1/4 x 1-3/8" NF, Hex.).....	x	x	x	x	x
17	353 922 X1	Nut (1/4" NF, Hex., Sltd.).....	x	x	x	x	x
18	353 690 X1	Bolt (3/8 x 7/8" NC, Hex.).....	x	x	x	x	x
19	353 434 X1	Washer (3/8" Lock).....	x	x	x	x	x
20	353 696 X1	Bolt (7/16 x 3/4" NC, Hex.).....	x	x	x	x	x
20	353 700 X1	Bolt (7/16 x 1-1/4" NC, Hex.).....	x	x	x	x	x
21	353 699 X1	Bolt (7/16 x 1-1/8" NC, Hex.).....	x	x	-	-	-
21	353 701 X1	Bolt (7/16 x 1-3/8" NC, Hex.).....	-	-	x	x	x
22	353 562 X1	Bolt (7/16 x 1-3/8" NF, Hex.).....	x	x	x	-	-
22	353 564 X1	Bolt (7/16 x 1-5/8" NF, Hex.).....	-	-	-	x	x
23	353 703 X1	Bolt (7/16 x 1-5/8" NC, Hex.).....	x	x	x	x	x
23	353 710 X1	Bolt (7/16 x 2-1/2" NC, Hex.).....	x	x	x	x	x
23	353 718 X1	Bolt (7/16 x 3-1/2" NC, Hex.).....	x	x	x	x	x
24	353 426 X1	Nut (7/16" NF, Hex.).....	x	x	x	x	x
30 (D)	181 466 M91	Case Assembly, Transmission.....	1	1	1	1	1
31	184 592 M1	Bushing, Clutch Shaft.....	2	2	2	2	2
32	180 801 M1	Bushing, Brake Shaft.....	2	2	2	2	2
33	181 514 M1	Gasket, Cover Plate.....	1	1	-	-	-
34	180 143 M1	Plate, Cover, Lower.....	1	1	1	-	-
35 (C)	825 030 M91	Case Assembly, Transmission.....	-	-	-	-	1
36	184 592 M1	Bushing, Clutch Shaft.....	-	-	-	-	2
37	825 701 M1	Bushing, Brake Shaft.....	-	-	-	-	2
38	825 697 M1	Gasket, Cover Plate.....	-	-	1	1	1
(C)	825 088 M1	Gasket, Transmission Case to Block.....	-	-	-	-	1
(D)	825 630 M1	Gasket, Transmission Case to Block.....	-	-	1	1	1
40	825 519 M1	Strut, Front Axle to Transmission Case.....	-	-	2	-	-
41	825 520 M1	Flange, Strut.....	-	-	2	-	-
42	195 251 M1	Plug, Drain, Transmission Case.....	1	1	1	1	1
43	181 470 M91	Retainer Assembly, Main Drive Shaft.....	1	1	1	1	1
44	15 854 X	Cup, Bearing.....	1	1	1	1	1
45	15 853 X	Cone, Bearing.....	1	1	1	1	1
46	195 760 M1	Seal, Oil.....	1	1	1	1	1
47	181 476 M1	Gasket, Retainer.....	1	1	1	1	1
52	353 692 X1	Bolt (3/8 x 1" NC, Hex.).....	x	x	x	x	x
53	353 694 X1	Bolt (7/16 x 1/2" NC, Hex.).....	x	x	x	-	-
54	353 698 X1	Bolt (7/16 x 1" NC, Hex.).....	x	x	x	x	x
54	353 700 X1	Bolt (7/16 x 1-1/4" NC, Hex.).....	x	x	x	x	x

Notes: (A) - Used Tractor Serial No. 325001 and up.
 (B) - Used prior to Tractor Serial No. 325001.
 (C) - Used Tractor Serial No. 200001 and up.
 (D) - Used prior to Tractor Serial No. 200001.

F339



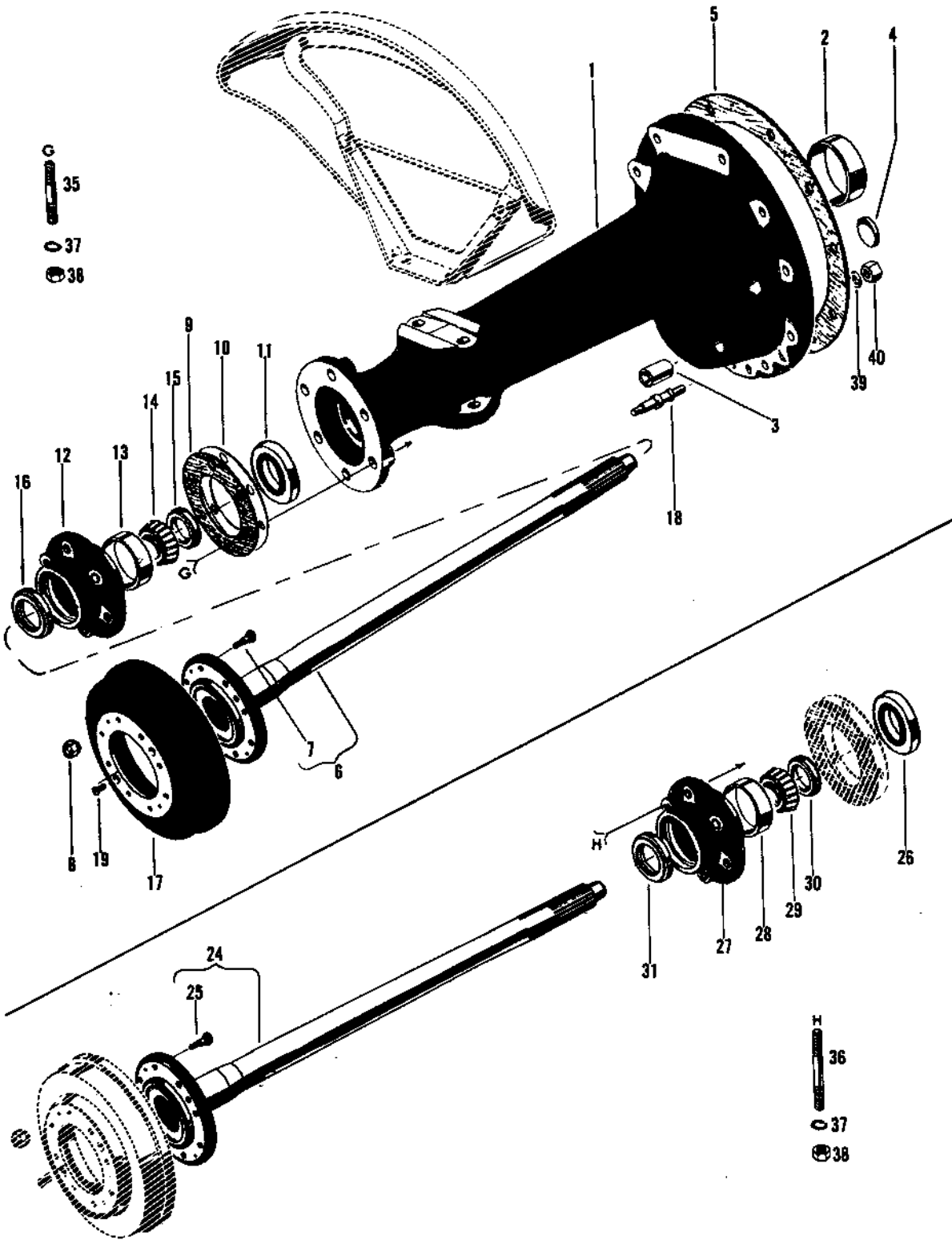
CLUTCH

Ref. No.	Part No.	Description	TE-A20				
			TO 30	TO 20	TE 20	80 MM	85 MM
1	180 263 M91	Cover Assembly, Release Plate.....	1	1	-	-	-
2	180 262 M1	Plate, Pressure.....	1	1	-	-	-
3	180 251 M2	Lever, Release.....	3	3	-	-	-
4	1 509 295 M1	Spring, Lever.....	3	3	-	-	-
5	180 252 M1	Pin, Release Lever.....	3	3	-	-	-
6	354 046 X1	Cotter Pin (3/32 x 1/2").....	3	3	-	-	-
7	180 256 M1	Screw, Adjusting, Release Lever.....	3	3	-	-	-
8	1 001 298 M1	Nut, Adjusting Screw.....	3	3	-	-	-
9	180 257 M1	Spring, Pressure (Lavender).....	3	3	-	-	-
9	180 258 M1	Spring, Pressure (Brown).....	3	3	-	-	-
11	180 253 M1	Cup, Pressure Spring.....	6	6	-	-	-
12	180 250 M91	Disc Assembly, Clutch (Long).....	x	x	-	-	-
13 (A)	830 482 M91	Facing, Clutch Lining (Plain Type).....	1	1	-	-	-
14	19 254 X	Rivet, Lining (Order 480 823 M91, 1 lb. Box).....	20	20	-	-	-
12	180 241 M91	Disc Assembly, Clutch (Rockwood).....	x	x	-	-	-
13	841 247 M91	Facing Kit, Clutch Lining (Segment Type).....	1	1	-	-	-
14	1 003 304 M1	Rivet, Lining.....	24	24	-	-	-
18	185 923 M91	Cover Assembly, Release Plate (Heavy Duty).....	1	1	-	-	-
19	1 752 990 M1	Plate, Pressure.....	1	1	-	-	-
20	180 251 M2	Lever, Release.....	3	3	-	-	-
21	1 509 295 M1	Spring, Lever.....	3	3	-	-	-
22	180 252 M1	Pin, Release Lever.....	3	3	-	-	-
23	354 046 X1	Cotter Pin (3/32 x 1/2").....	3	3	-	-	-
24	180 256 M1	Screw, Adjusting, Release Lever.....	3	3	-	-	-
25	1 001 298 M1	Nut, Adjusting Screw.....	3	3	-	-	-
26	1 752 991 M1	Spring, Pressure.....	6	6	-	-	-
27	1 021 788 M1	Washer, Insulating (25/32 x 1-5/32 x 1/8").....	6	6	-	-	-
28	1 752 992 M1	Washer, Retainer.....	6	6	-	-	-
29	180 253 M1	Cup, Pressure Spring.....	6	6	-	-	-
30	183 357 M91	Disc Assembly, Clutch (Heavy Duty).....	1	1	-	-	-
35	825 646 M1	Plate, Pressure.....	-	-	1	1	1
36	825 811 M91	Lever, Clutch Release.....	-	-	3	3	3
36	825 644 M1	Strut, Release Lever.....	-	-	3	3	3
37	825 643 M1	Spring, Release Lever.....	-	-	3	3	3
38	825 645 M1	Pin, Release Lever.....	-	-	3	3	3
39	825 535 M1	Bolt, Adjusting, Release Lever.....	-	-	3	3	3
40 (B)	825 536 M1	Nut, Adjusting Bolt.....	-	-	3	3	3
41	825 116 M1	Spring, Pressure (Cream).....	-	-	-	-	9
41	825 534 M1	Spring, Pressure (Orange).....	-	-	9	9	-
42	825 495 M91	Disc Assembly, Clutch.....	-	-	1	1	1
	1 851 667 M91	Facing Kit, Lining (Regular).....	-	-	x	x	x
	825 497 M91	Facing Kit, Lining (Heavy Duty).....	-	-	x	x	x
46	181 619 M1	Fork, Clutch Release Shaft.....	1	1	1	1	1
47	195 207 M1	Bearing, Clutch Release.....	1	1	1	1	1
48	825 987 M1	Hub, Clutch Release Bearing.....	1	1	1	1	1
49	890 583 M1	Spring, Clutch Release Bearing.....	1	1	1	1	1
50	180 066 M1	Bolt, Clutch Cover to Flywheel.....	6	6	6	6	6
51	353 446 X1	Washer (5/16" Lock).....	6	6	6	6	6

Notes: (A) - Order 2 - 180 248 M1 Linings, 6 - 195 455 M1 Rivets and 24 - 180 242 M1 Rivets.
 (B) - For repair order 1 each of 825 834 M1 and 825 833 M1.

REAR AXLE AND HOUSING

F338-1



1st Print

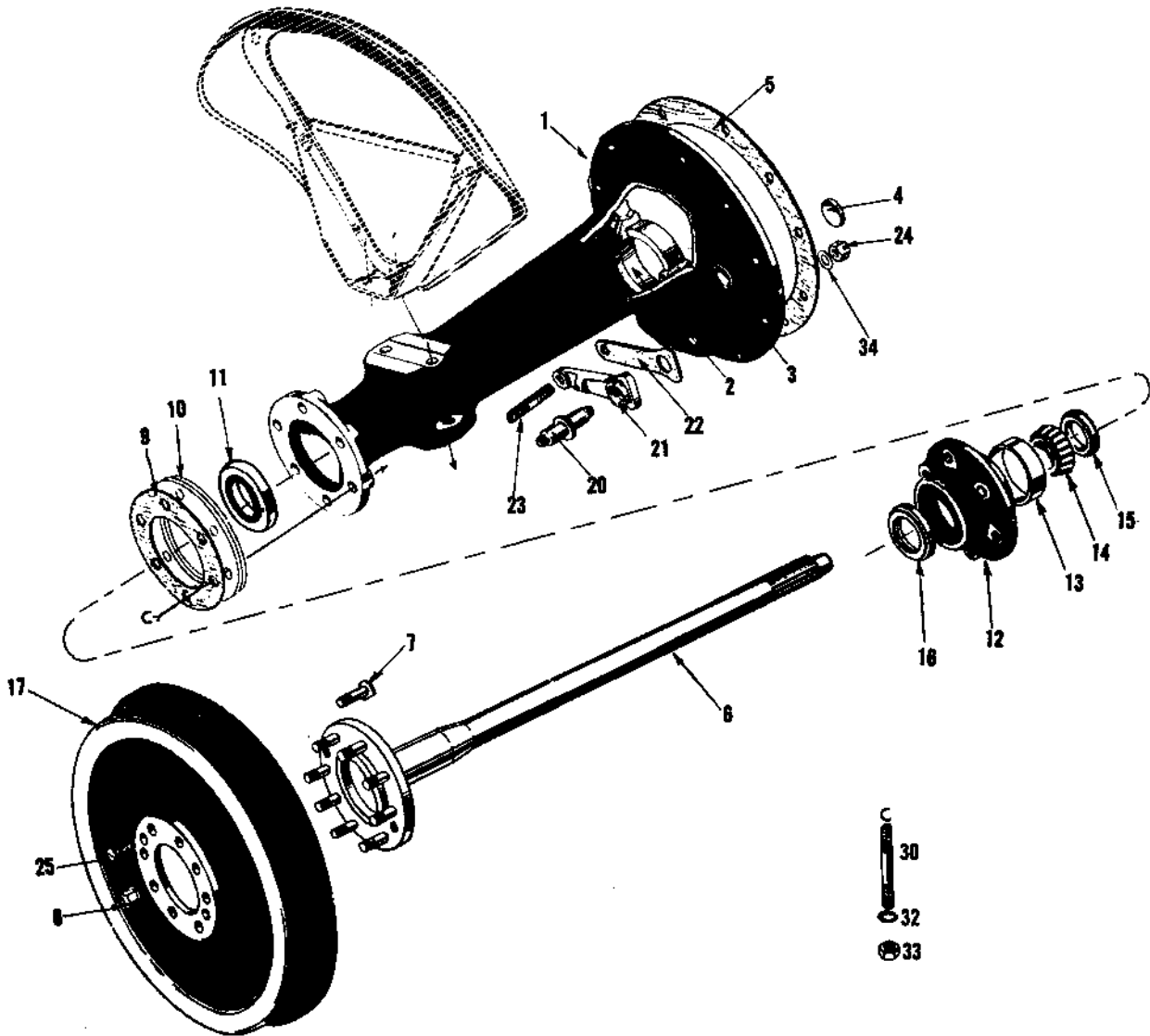
693 041 M4 (Issue 1) 5/73

REAR AXLE AND HOUSING

Ref. No.	Part No.	Description	TO	TO
			30	20
1	181 395 M91	Housing Assembly, Axle, Right Hand.....	1	-
1	181 397 M91	Housing Assembly, Axle, Left Hand.....	1	-
1	181 394 M91	Housing Assembly, Axle, Right Hand.....	-	1
1	181 396 M91	Housing Assembly, Axle, Left Hand.....	-	1
2	195 160 M1	Cup, Bearing, Inner.....	1	1
3	180 802 M1	Bushing, Brake Cross Shaft.....	1	1
4	13 710 X	Plug (1-1/4" Expansion).....	1	1
5	183 254 M1	Gasket, Housing, Inner (13-1/4 x 15-1/4 x 1/64").....	2	-
5	181 429 M1	Gasket, Housing, Inner (12-11/16 x 14-11/16 x 1/64").....	-	2
6	189 648 M91	Shaft Assembly, Rear Axle (Incl. item 7).....	2	-
6	189 646 M91	Shaft Assembly, Rear Axle.....	-	2
7	185 400 M1	Bolt, Rear Wheel Disc.....	8	8
8	180 004 M1	Nut, Wheel Disc Bolts.....	16	16
9	181 232 M1	Gasket, Housing, Outer.....	2	2
10	183 259 M1	Shim (.003" to .005").....	x	x
10	183 260 M1	Shim (.015" to .017").....	x	x
10	183 261 M1	Shim (.020" to .022").....	x	x
11	195 555 M1	Seal, Oil, Inner (2 x 2-7/8 x 1/2").....	2	-
12	181 255 M91	Retainer Assembly, Axle (Incl. item 13).....	2	-
12	181 430 M91	Retainer Assembly, Axle.....	-	2
13	831 363 M1	Cup, Bearing, Outer.....	1	1
	181 451 M1	Shield, Oil.....	-	1
14	195 162 M1	Cone, Bearing, Outer.....	2	2
15	181 257 M1	Collar, Shaft Bearing.....	2	2
16	195 557 M1	Seal, Oil, Outer (2-3/8 x 3-1/2 x 5/8").....	2	2
17	181 186 M1	Drum, Brake.....	2	2
18	181 229 M2	Shaft, Lower Link.....	2	2
19	182 278 M1	Screw, Drum to Axle.....	4	4
(CONVERSION TO TO-35 AXLE)				
24	185 389 M91	Shaft Assembly, Rear Axle.....	1	1
25	185 400 M1	Bolt, Rear Wheel Disc.....	8	-
26	195 678 M2	Seal, Oil, Inner (2-1/8 x 2-7/8 x 7/16").....	2	-
27	182 526 M91	Retainer Assembly, Axle.....	2	-
28	300 975 M1	Cup, Bearing.....	1	-
	182 525 M1	Ring, Retainer.....	2	-
29	195 675 M1	Cone, Bearing.....	2	-
30	180 596 M1	Collar, Shaft Bearing.....	2	-
31	195 677 M1	Seal, Oil, Outer (2-3/4 x 3-5/8 x 19/32").....	2	-
35	353 962 X1	Stud (7/16" NC x 1-5/8").....	x	x
36	181 258 M1	Stud (7/16" NF x 2-1/2").....	x	x
37	353 432 X1	Washer (7/16" Lock).....	x	x
38	353 426 X1	Nut (7/16" NF, Hex.).....	x	x
39	353 774 X1	Washer (5/8" Regular Flat).....	x	x
40	195 262 M1	Nut (5/8" NF, Hex., Self-Locking).....	x	x

REAR AXLE AND HOUSING

F88-1



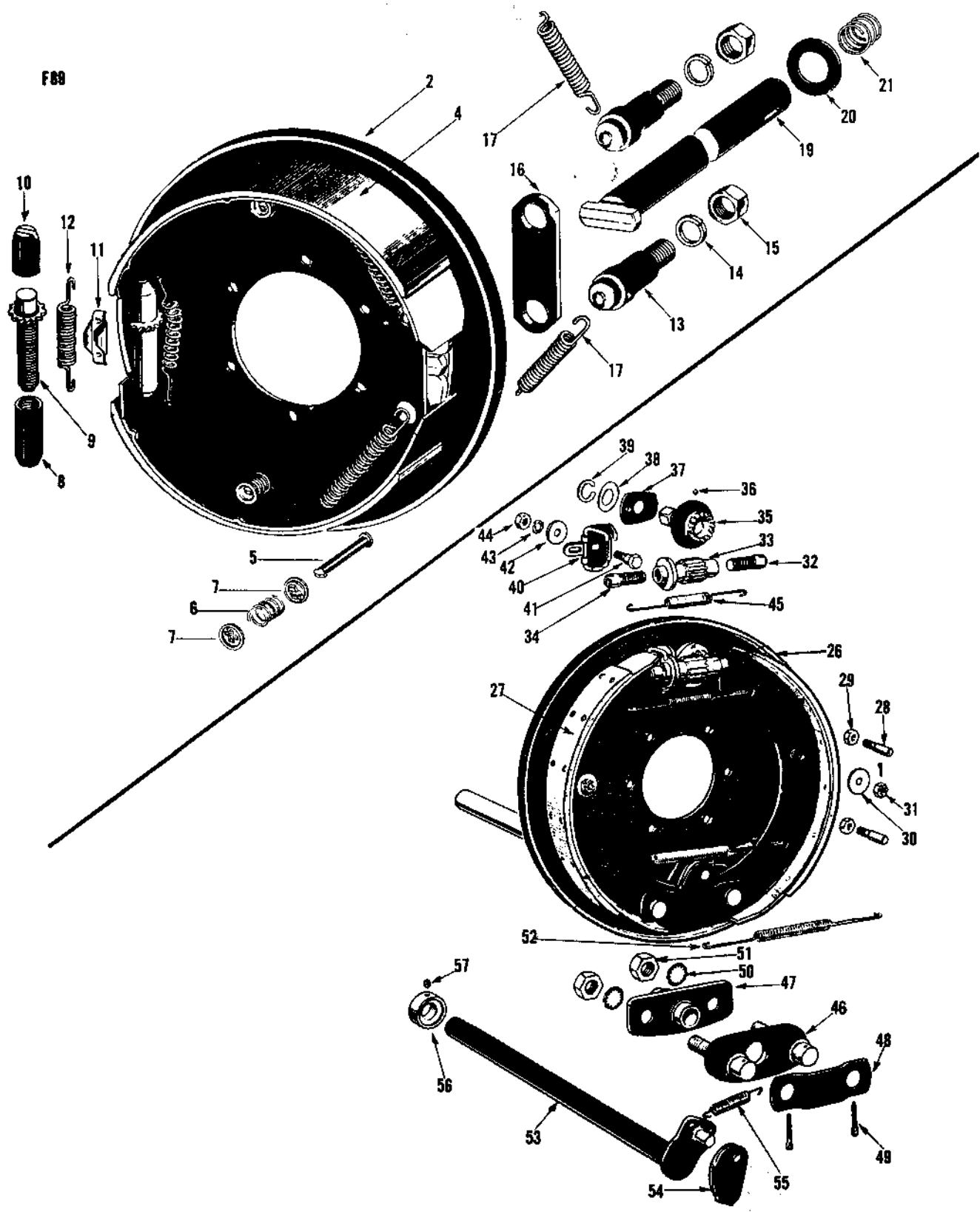
1st Print

693 041 M4 (Issue 1) 5/73

REAR AXLE AND HOUSING

Ref. No.	Part No.	Description	TE-A20		
			TE 20	80 MM	85 MM
1 (A)	825 466 M91	Housing Assembly, Axle, Right Hand.....	-	-	1
1 (A)	825 467 M91	Housing Assembly, Axle, Left Hand.....	-	-	1
1 (B)	825 726 M91	Housing Assembly, Axle, Right Hand.....	1	1	1
1 (B)	825 725 M91	Housing Assembly, Axle, Left Hand.....	1	1	1
2	195 160 M1	Cup, Bearing, Inner.....	1	1	1
3	825 514 M1	Bushing, Brake Cross Shaft.....	1	1	1
4	13 710 X	Plug (1-1/4" Expansion).....	1	1	1
(A)	13 223 X	Grease Fitting.....	-	-	1
5 (A)	183 224 M11	Gasket, Housing, Inner (13-1/4 x 15-1/4 x 1/64").....	-	-	2
5 (B)	181 429 M1	Gasket, Housing, Inner (12-11/16 x 14-11/16 x 1/64").....	2	2	2
6 (A)	825 462 M91	Shaft Assembly, Rear Axle (Incl. item 7).....	-	-	2
6 (B)	890 487 M91	Shaft Assembly, Rear Axle (Incl. item 7).....	2	2	2
7	185 400 M1	Bolt, Rear Wheel Disc.....	8	8	8
8	180 004 M1	Nut, Wheel Disc Bolts.....	16	16	16
9	181 232 M1	Gasket, Housing, Outer.....	2	2	2
10	183 259 M1	Shim (.003" to .005").....	x	x	x
10	183 260 M1	Shim (.015" to .017").....	x	x	x
10	183 261 M1	Shim (.020" to .022").....	x	x	x
11 (A)	195 555 M1	Seal, Oil, Inner (2 x 2-7/8 x 1/2").....	-	-	2
12	181 430 M91	Retainer Assembly, Axle.....	2	2	2
13	831 363 M1	Cup, Bearing, Outer.....	1	1	1
14	195 162 M1	Cone, Bearing, Outer.....	2	2	2
15	181 257 M1	Collar, Shaft Bearing.....	2	2	2
16	195 557 M1	Seal, Oil, Outer (2-3/8 x 3-1/2 x 5/8").....	2	2	2
17	827 707 M1	Drum Assembly, Brake.....	2	2	2
(A)	181 229 M2	Shaft, Lower Link.....	-	-	2
(A)	195 262 M1	Nut, Lower Shaft (5/8" NF, Hex., Special).....	-	-	2
20 (B)	825 502 M1	Shaft, Lower Link.....	2	2	2
21 (B)	825 501 M1	Plate, Support, Link Shaft.....	2	2	2
22 (B)	825 500 M1	Gasket, Support Plate.....	2	2	2
23 (B)	825 505 M1	Stud, Support Plate to Axle Housing.....	2	2	2
24 (B)	353 927 X1	Nut, Lower Shaft.....	2	2	2
25	182 278 M1	Screw, Brake Drum to Axle.....	4	4	4
30	353 962 X1	Stud (7/16" NC x 1-5/8").....	x	x	x
30	181 258 M1	Stud (7/16" NF x 2-1/2").....	x	x	x
32	353 432 X1	Washer (7/16" Lock).....	x	x	x
33	353 426 X1	Nut (7/16" NF, Hex.).....	x	x	x
34	353 774 X1	Washer (5/8" Regular Flat).....	x	x	x

Notes: (A) - Used Tractor Serial No. 325001 and up.
 (B) - Used prior to Tractor Serial No. 325001.

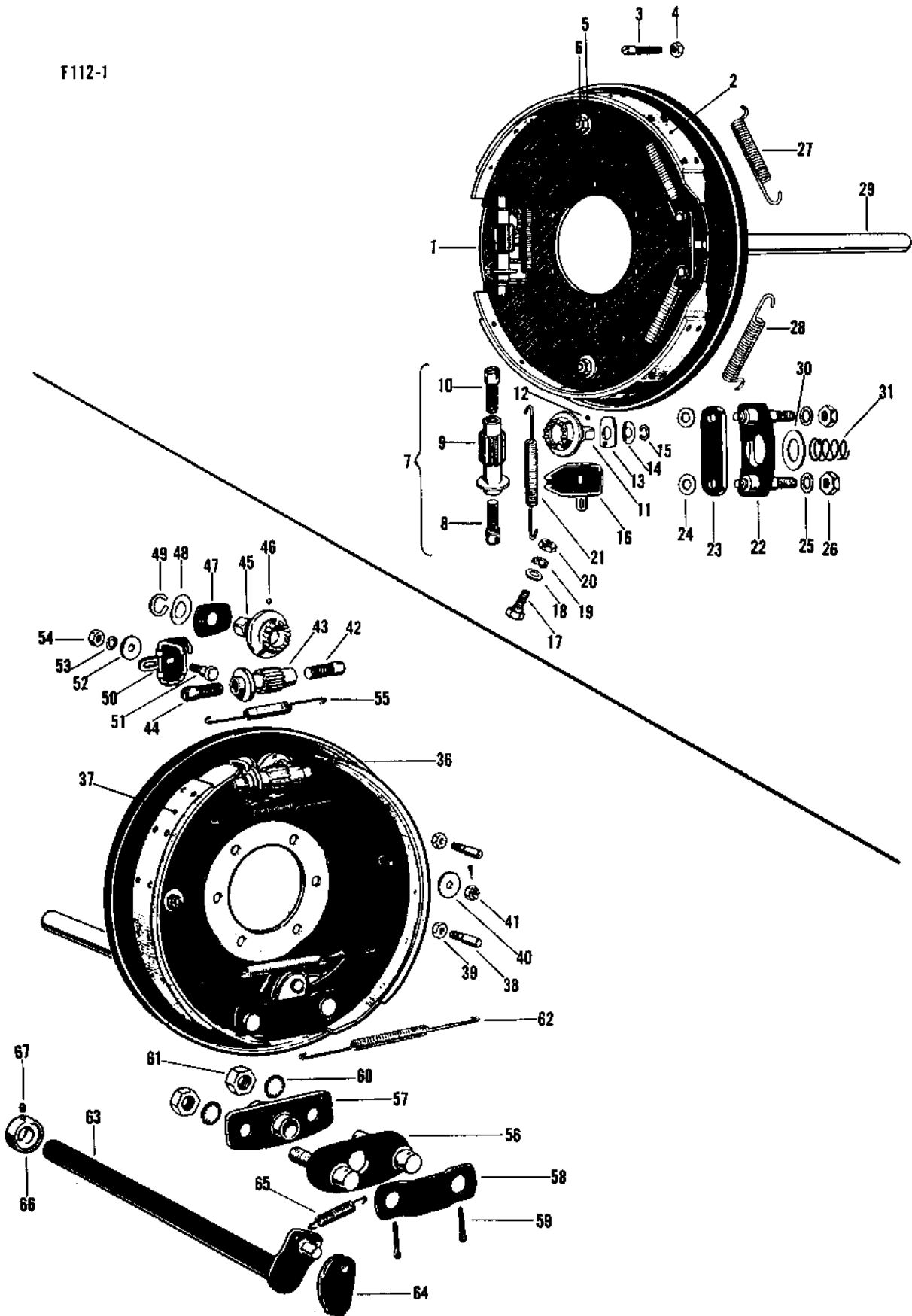


BRAKES

Ref. No.	Part No.	Description	TO	TO	TE	80
			30	20	20	MM
	181 207 M91	Brake Assembly.....	2	2	-	-
2	181 201 M91	Plate Assembly, Backing.....	1	1	-	-
	181 202 M91	Seal Assembly, Dust (Incl. Cement).....	1	1	-	-
4	830 537 M92	Lining Kit, w/Shoes (set of 4)(Std.).....	1	1	-	-
4	830 538 M92	Lining Kit, w/Shoes (set of 4)(+.003").....	x	x	-	-
5	180 833 M1	Pin, Shoe Hold-down Spring.....	2	2	-	-
6	180 835 M1	Spring, Shoe Hold-down.....	2	2	-	-
7	180 834 M1	Cup, Hold-down Spring Retaining.....	4	4	-	-
8	180 827 M1	Nut, Adjusting Screw.....	1	1	-	-
9	180 826 M1	Screw, Adjusting.....	1	1	-	-
10	180 831 M1	Socket, Adjusting Screw.....	1	1	-	-
11	180 836 M1	Cover, Brake Adjusting Hole.....	1	1	-	-
12	181 188 M1	Spring, Brake Shoe (Red).....	1	1	-	-
13	181 199 M1	Pin, Anchor.....	2	2	-	-
14	763 190 M1	Washer, Anchor Pin (5/8" Lock).....	2	2	-	-
15	353 427 X1	Nut, Anchor Pin (5/8" NF, Hex.).....	2	2	-	-
16	181 195 M1	Brace, Anchor Pin.....	2	2	-	-
17	181 190 M1	Spring, Anchor Pin.....	4	4	-	-
19	181 279 M1	Shaft, Brake.....	2	2	-	-
20	181 208 M1	Washer, Cover (1-1/32 x 1-13/16 x 1/16").....	2	2	-	-
21	180 813 M1	Spring, Cover Washer.....	2	2	-	-
	825 638 M91	Brake Assembly, Right Hand.....	-	-	1	1
	825 637 M91	Brake Assembly, Left Hand.....	-	-	1	1
26	825 629 M1	Plate, Backing, Right Hand.....	-	-	1	1
26	825 628 M1	Plate, Backing, Left Hand.....	-	-	1	1
	1 810 349 M91	Lining Set, w/Shoes (for 1 Wheel).....	-	-	1	1
27		Lining Assembly, w/Shoe (Order 1810 349 M91).....	-	-	2	2
28	825 547 M1	Post, Steady, Back Plate.....	-	-	4	4
29	343 957 X1	Nut, Steady Post.....	-	-	4	4
30	825 557 M1	Washer, Spacer Pin.....	-	-	4	4
31	825 573 M1	Nut, Spacer Pin Washer.....	-	-	4	4
32	825 542 M1	Screw, Adjusting Pinion, Left Hand.....	-	-	2	2
33	825 541 M1	Pinion, Adjusting.....	-	-	2	2
34	825 543 M1	Screw, Adjusting Pinion, Right Hand.....	-	-	2	2
35	825 554 M1	Wheel, Crown.....	-	-	2	2
36	354 465 X1	Ball, Crown Wheel.....	-	-	2	2
37	825 042 M1	Retainer, Crown Wheel Ball.....	-	-	2	2
38	825 555 M1	Washer, Crown Wheel (Spring).....	-	-	2	2
39	825 556 M1	Ring, Lock, Crown Wheel.....	-	-	2	2
40	825 591 M1	Centralizer, Right Hand.....	-	-	1	1
40	825 590 M1	Centralizer, Left Hand.....	-	-	1	1
41	825 550 M1	Bolt, Centralizer.....	-	-	2	2
42	825 551 M1	Washer, Centralizer Bolt (Flat).....	-	-	2	2
43	353 434 X1	Washer (3/8" Lock).....	-	-	2	2
44	353 431 X1	Nut (3/8" NF, Hex.).....	-	-	2	2
45	825 594 M1	Spring, Brake Shoe.....	-	-	2	2
46	825 589 M91	Pin Assembly, Anchor, w/Plate.....	-	-	2	2
47	825 593 M1	Bearing, Control Shaft.....	-	-	-	-
48	825 546 M1	Brace, Anchor Pin.....	-	-	-	-
49	354 061 X1	Cotter Pin (1/8 x 1-1/4").....	-	-	4	4
50	825 545 M1	Washer, Lock, Anchor Pin.....	-	-	4	4
51	825 544 M1	Nut, Anchor Pin.....	-	-	4	4
52	825 558 M1	Spring, Brake Shoes.....	-	-	2	2
53	825 592 M91	Shaft Assembly, Brake.....	-	-	2	2
54	825 549 M91	Cam Assembly, Brake Shaft.....	-	-	2	2
55	825 595 M1	Spring, Brake Shaft Return.....	-	-	2	2
56	825 552 M1	Collar, Brake Shaft.....	-	-	2	2
57	825 553 M1	Screw, Set (Collar Retaining).....	-	-	2	2

BRAKES

F112-1



BRAKES

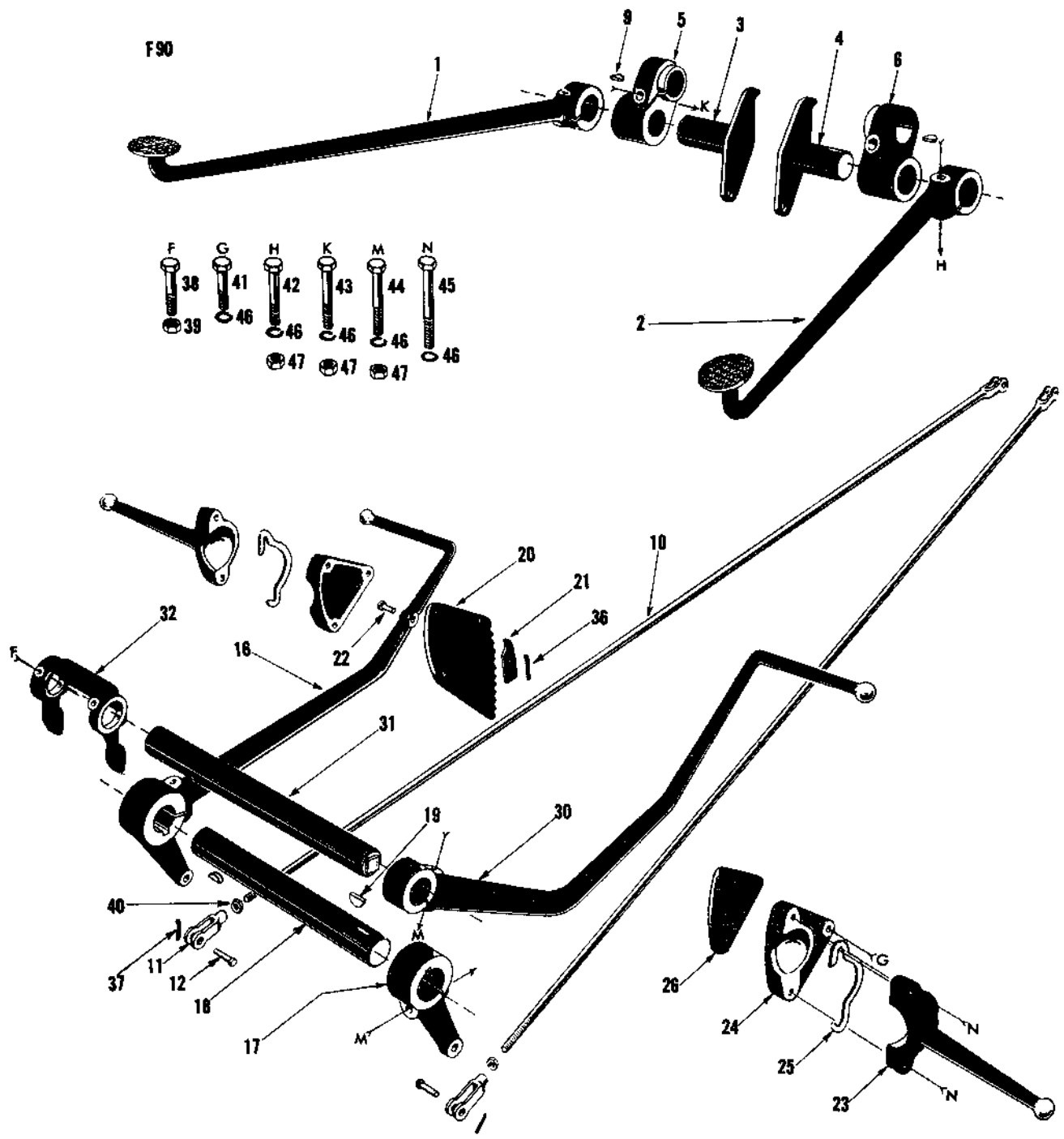
(USED TRACTOR SERIAL NO. 200001 AND UP)

Ref. No.	Part No.	Description	TE-A20 85 MM
	825 099 M91	Brake Assembly, Left Hand.....	1
	825 100 M91	Brake Assembly, Right Hand.....	1
1	825 092 M91	Plate Assembly, Backing, Right Hand.....	1
1	825 091 M91	Plate Assembly, Backing, Left Hand.....	1
2	1 810 352 M91	Lining Assembly, w/Shoe.....	4
3	825 547 M1	Post, Steady, Back Plate.....	4
4	343 957 X1	Nut, Steady Post.....	4
5	825 557 M1	Washer, Spacer Pin.....	4
6	825 573 M1	Nut, Spacer Pin.....	4
7	825 050 M91	Adjuster Assembly.....	2
8	825 047 M1	Screw, Adjusting Pinion, Right Hand.....	1
9	825 541 M1	Pinion, Adjusting.....	1
10	825 046 M1	Screw, Adjusting Pinion, Left Hand.....	1
11	825 554 M1	Wheel, Crown.....	2
12	354 465 X1	Ball, Crown Wheel.....	2
13	825 042 M1	Retainer, Crown Wheel Ball.....	2
14	825 555 M1	Washer, Crown Wheel (Spring Type).....	2
15	825 556 M1	Ring, Lock, Crown Wheel.....	2
16	825 591 M1	Centralizer, Right Hand.....	1
16	825 590 M1	Centralizer, Left Hand.....	1
17	825 550 M1	Bolt, Centralizer.....	2
18	825 551 M1	Washer, Centralizer Bolt.....	2
19	353 434 X1	Washer (3/8" Lock).....	2
20	353 431 X1	Nut (3/8" NF, Hex.).....	2
21	825 594 M1	Spring, Brake Shoe.....	2
22	825 062 M91	Pin Assembly, Anchor, w/Plate.....	2
23	825 039 M1	Plate, Anchor Pin.....	2
24	825 055 M1	Washer, Plate Retaining.....	4
25	825 805 M1	Washer, Lock, Anchor Pin.....	4
26	825 544 M1	Nut, Anchor Pin.....	4
27	825 064 M1	Spring, Secondary (Red).....	2
28	825 063 M1	Spring, Primary (Blue).....	2
29	825 078 M1	Shaft, Brake (Right Hand).....	1
29	825 077 M1	Shaft, Brake (Left Hand).....	1
30	825 040 M1	Plate, Cover, Brake Shaft.....	2
31	825 041 M1	Spring, Cover Plate.....	2
	825 024 M1	Dowel, Centralizer.....	2
	825 038 M1	Pin, Shoe Spacer.....	2

(USED PRIOR TO TRACTOR SERIAL NO. 200001)

	825 638 M91	Brake Assembly, Right Hand.....	1
	825 637 M91	Brake Assembly, Left Hand.....	1
36	825 629 M1	Plate, Backing, Right Hand.....	1
36	825 528 M1	Plate, Backing, Left Hand.....	1
	1 810 349 M91	Lining Set, w/Shoe (for 1 Wheel).....	2
37		Lining Assembly, w/Shoe (Order 1810 349 M91).....	1
38	825 547 M1	Post, Steady, Back Plate.....	4
39	343 957 X1	Nut, Steady Post.....	4
40	825 557 M1	Washer, Spacer Pin.....	4
41	825 573 M1	Nut, Spacer Pin.....	4
42	825 542 M1	Screw, Adjusting Pinion, Left Hand.....	2
43	825 541 M1	Pinion, Adjusting.....	2
44	825 543 M1	Screw, Adjusting Pinion, Right Hand.....	2
45	825 544 M1	Wheel, Crown.....	2
46	354 465 X1	Ball, Crown Wheel.....	2
47	825 042 M1	Retainer, Crown Wheel Ball.....	2
48	825 555 M1	Washer, Crown Wheel (Spring Type).....	2
49	825 556 M1	Ring, Lock, Crown Wheel.....	2
50	825 591 M1	Centralizer, Right Hand.....	1
50	825 590 M1	Centralizer, Left Hand.....	1
51	825 550 M1	Bolt, Centralizer.....	2
52	825 551 M1	Washer, Centralizer Bolt.....	2
53	353 434 X1	Washer (3/8" Lock).....	2
54	353 431 X1	Nut (3/8" NF, Hex.).....	2
55	825 594 M1	Spring, Brake Shoe.....	2
56	825 589 M91	Pin Assembly, Anchor, w/Plate.....	2
57	825 593 M1	Bearing, Control Shaft.....	2
58	825 546 M1	Brace, Anchor Pin.....	2
59	354 061 X1	Cotter Pin (1/8 x 1-1/4").....	4
60	825 545 M1	Washer, Lock, Anchor Bolt.....	4
61	825 544 M1	Nut, Anchor Pin.....	4
62	825 558 M1	Spring, Brake Shoes.....	2
63	825 592 M91	Shaft Assembly, Brake.....	2
64	825 549 M91	Cam Assembly, Brake Shaft.....	2
65	825 595 M1	Spring, Brake Shaft Return.....	2
66	825 552 M1	Collar, Brake Shaft.....	2
67	825 553 M1	Screw, Collar Retaining.....	2

BRAKE AND CLUTCH CONTROLS

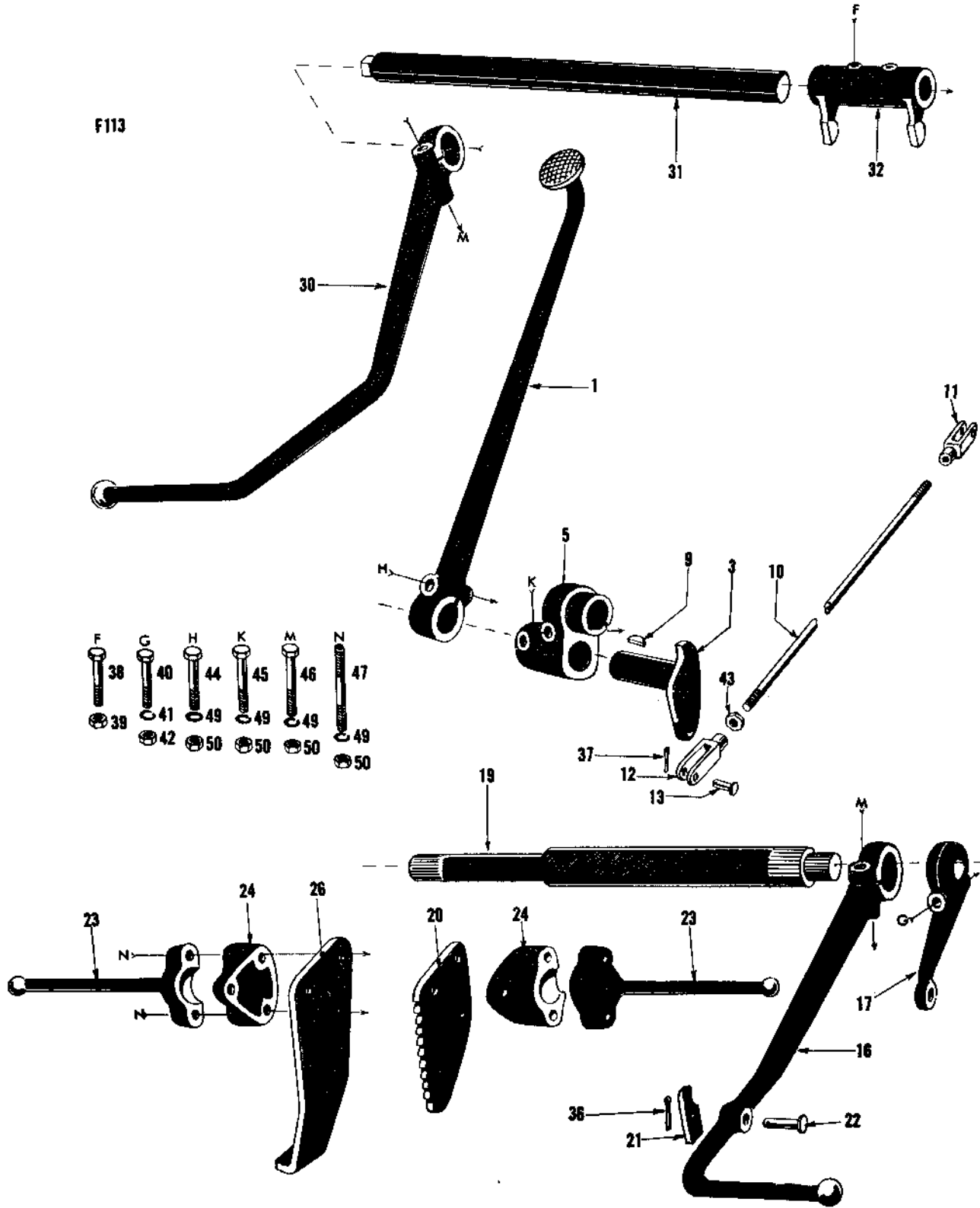


BRAKE AND CLUTCH CONTROLS

Ref. No.	Part No.	Description	TO	
			30	20
1	181 295 M91	Pedal Assembly, Brake, Right Hand.....	1	1
2	181 296 M91	Pedal Assembly, Brake, Left Hand.....	1	1
3	181 192 M91	Shaft Assembly, Pedal Stop, Right Hand.....	1	1
4	181 191 M91	Shaft Assembly, Pedal Stop, Left Hand.....	1	1
5	181 193 M91	Link Assembly, Brake, Right Hand (Incl. items 7 and 8).....	1	1
6	181 194 M91	Link Assembly, Brake, Left Hand.....	1	1
	195 933 M1	Bushing (1 x 1-1/16 x 3/4").....	2	2
	13 811 X	Grease Fitting (1/4" - 28 Str.)(Order 1900 487 M92, Pkg. of 10)..	1	1
9	16 346 X	Key (3/16 x 1-1/8" Woodruff).....	2	2
10	181 297 M91	Rod Assembly, Brake.....	2	2
11	195 270 M1	Clevis, Rod End.....	2	2
12	195 604 M1	Pin, Clevis.....	4	4
16	180 865 M1	Pedal, Combined Brake.....	1	1
17 (A)	180 864 M1	Arm, Combined Brake.....	1	1
18	180 866 M1	Shaft, Cross, Combined Brake.....	1	1
19	12 501 X	Key (1/4 x 1" Woodruff).....	2	2
20	181 360 M1	Sector, Pawl.....	1	1
21	181 298 M1	Pawl, Brake Pedal.....	1	1
22	195 239 M1	Pin, Brake Pawl.....	1	1
23	180 867 M1	Cap, Radius Rod Ball (Outer Half).....	2	2
24	180 869 M1	Cap, Radius Rod Ball (Inner Half).....	2	2
25	180 868 M1	Shim, Ball Cap.....	x	x
26	180 870 M1	Plate, Inner Cap to Transmission Case.....	1	1
30	184 859 M1	Pedal, Clutch.....	1	1
31	181 618 M1	Shaft, Clutch Release.....	1	1
32	181 619 M1	Fork, Clutch Release Shaft.....	1	1
36	354 055 X1	Cotter Pin (1/8 x 1/2").....	x	x
37	354 057 X1	Cotter Pin (1/8 x 3/4").....	x	x
38	353 512 X1	Bolt (1/4 x 1-7/8" NF, Hex.).....	x	x
39	195 256 M1	Nut (1/4" NF, Hex., Special).....	x	x
40	353 430 X1	Nut (3/8" NF, Half Hex.).....	x	x
41	353 702 X1	Bolt (7/16 x 1-1/2" NC, Hex.).....	x	x
42	353 568 X1	Bolt (7/16 x 2-1/8" NF, Hex.).....	x	x
43	353 570 X1	Bolt (7/16 x 2-3/8" NF, Hex.).....	x	x
44	353 571 X1	Bolt (7/16 x 2-1/2" NF, Hex.).....	x	x
45	353 713 X1	Bolt (7/16 x 2-7/8" NF, Hex.).....	x	x
46	353 432 X1	Washer (7/16" Lock).....	x	x
47	353 426 X1	Nut (7/16" NF, Hex.).....	x	x

Notes: (A) - For repair order (1) 520 300 M91 Arm and Shaft Assembly, (1) 367 086 X1 Washer and (1) 352 699 X1 Retaining Ring.

BRAKE AND CLUTCH CONTROLS

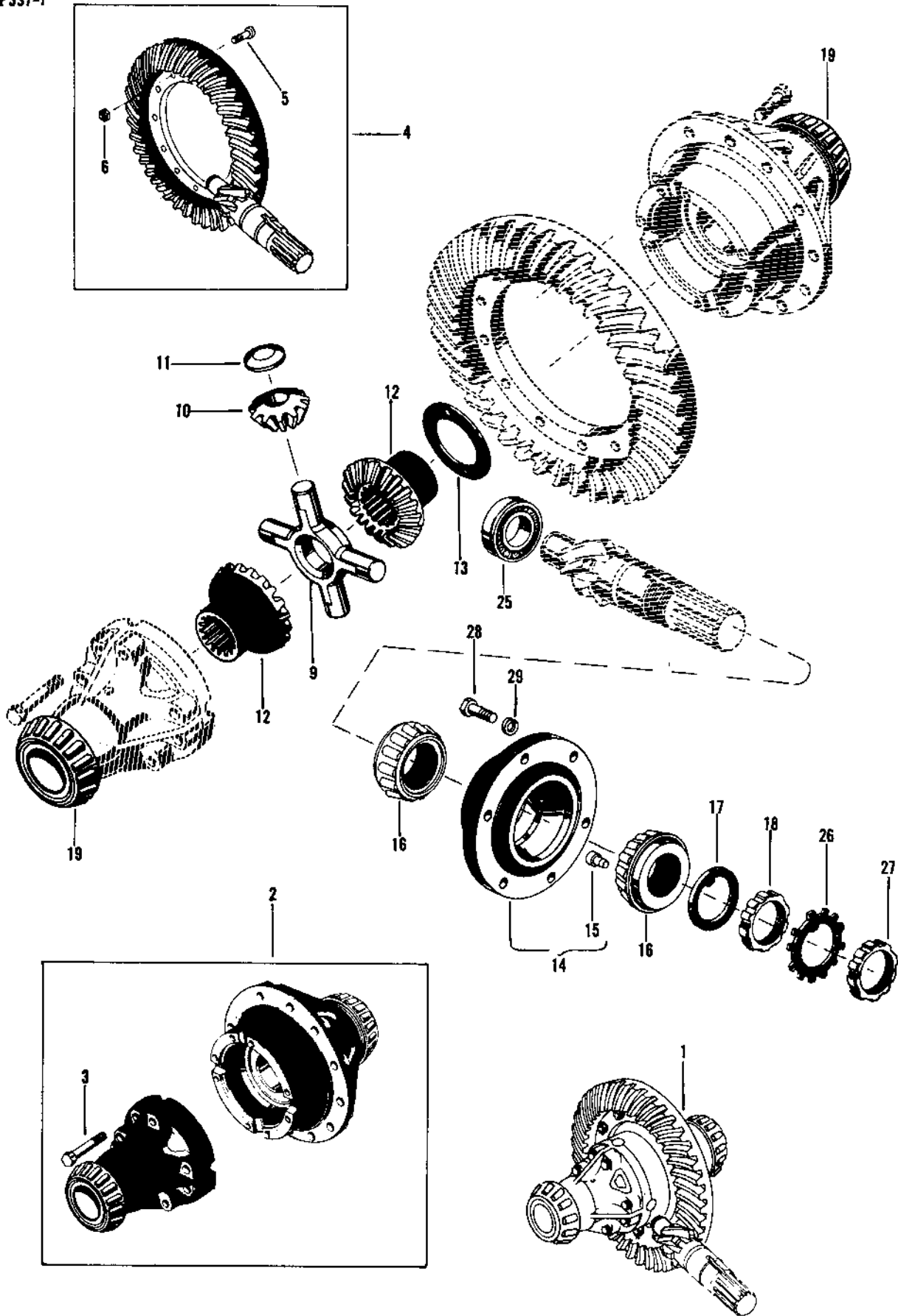


BRAKE AND CLUTCH CONTROLS

Ref. No.	Part No.	Description	TE-A20		
			TE 20	80 MM	85 MM
1	825 606 M91	Pedal Assembly, Brake, Right Hand.....	1	1	1
1	825 720 M91	Pedal Assembly, Brake, Left Hand.....	1	1	1
3	181 192 M91	Shaft Assembly, Pedal Stop, Right Hand.....	1	1	1
3	181 191 M91	Shaft Assembly, Pedal Stop, Left Hand.....	1	1	1
5	181 193 M91	Link Assembly, Brake, Right Hand.....	1	1	1
5	181 194 M91	Link Assembly, Brake, Left Hand.....	1	1	1
	195 933 M1	Bushing (1 x 1-1/16 x 3/4").....	2	2	2
	13 811 X	Grease Fitting (1/4" - 28 Str.)(Or. 1900 487 M92 Pkg of 10)..	1	1	1
9	16 346 X	Key (3/16 x 1-1/8" Woodruff).....	2	2	2
10	825 540 M1	Rod, Brake.....	2	2	2
11	825 517 M1	Clevis, Rod (Front).....	2	2	2
12	825 538 M1	Clevis, Rod (Rear).....	2	2	2
13	825 715 M1	Pin, Clevis.....	4	4	4
16	825 611 M1	Pedal, Combined Brake.....	1	1	1
17	825 601 M1	Arm, Combined Brake, Right Hand.....	1	1	1
17	825 600 M1	Arm, Combined Brake, Left Hand.....	1	1	1
19	825 605 M1	Shaft, Cross, Combined Brake.....	1	1	1
20	181 360 M1	Sector, Pawl.....	1	1	1
21	181 298 M1	Pawl, Brake Pedal.....	1	1	1
22	195 239 M1	Pin, Brake Pawl.....	1	1	1
23	180 867 M1	Cap, Radius Rod Ball (Outer Half).....	2	2	2
24	180 869 M1	Cap, Radius Rod Ball (Inner Half).....	2	2	2
	180 868 M1	Shim, Ball Cap.....	x	-	-
	825 445 M1	Shim, Ball Cap.....	-	x	x
26	825 599 M1	Plate, Inner Cap to Transmission Case.....	1	1	1
30	184 859 M1	Pedal, Clutch.....	1	1	1
31	181 618 M1	Shaft, Clutch Release.....	1	1	1
32	181 619 M1	Fork, Clutch Release Shaft.....	1	1	1
36	354 055 X1	Cotter Pin (1/8 x 1/2").....	x	x	x
37	354 057 X1	Cotter Pin (1/8 x 3/4").....	x	x	x
38	353 512 X1	Bolt (1/4 x 1-7/8" NF, Hex.).....	x	x	x
39	195 256 M1	Nut (1/4" NF, Hex., Special).....	x	x	x
40	353 686 X1	Bolt (5/16 x 1-7/8" NC, Hex.).....	x	x	x
41	353 446 X1	Washer (5/16" Lock).....	x	x	x
42	355 565 X1	Nut (5/16" NC, Hex.).....	x	x	x
43	353 430 X1	Nut (3/8" NF, Half Hex.).....	x	x	x
44	353 568 X1	Bolt (7/16 x 2-1/8" NF, Hex.).....	x	x	x
45	353 570 X1	Bolt (7/16 x 2-3/8" NF, Hex.).....	x	x	x
46	353 571 X1	Bolt (7/16 x 2-1/2" NF, Hex.).....	x	x	x
47	825 562 M1	Stud (Radius Rod Ball Cap).....	x	x	x
47	825 561 M1	Stud (Radius Rod Ball Cap).....	x	x	x
49	353 432 X1	Washer (7/16" Lock).....	x	x	x
50	353 426 X1	Nut (7/16" NF, Hex.).....	x	x	x

DIFFERENTIAL

F337-1



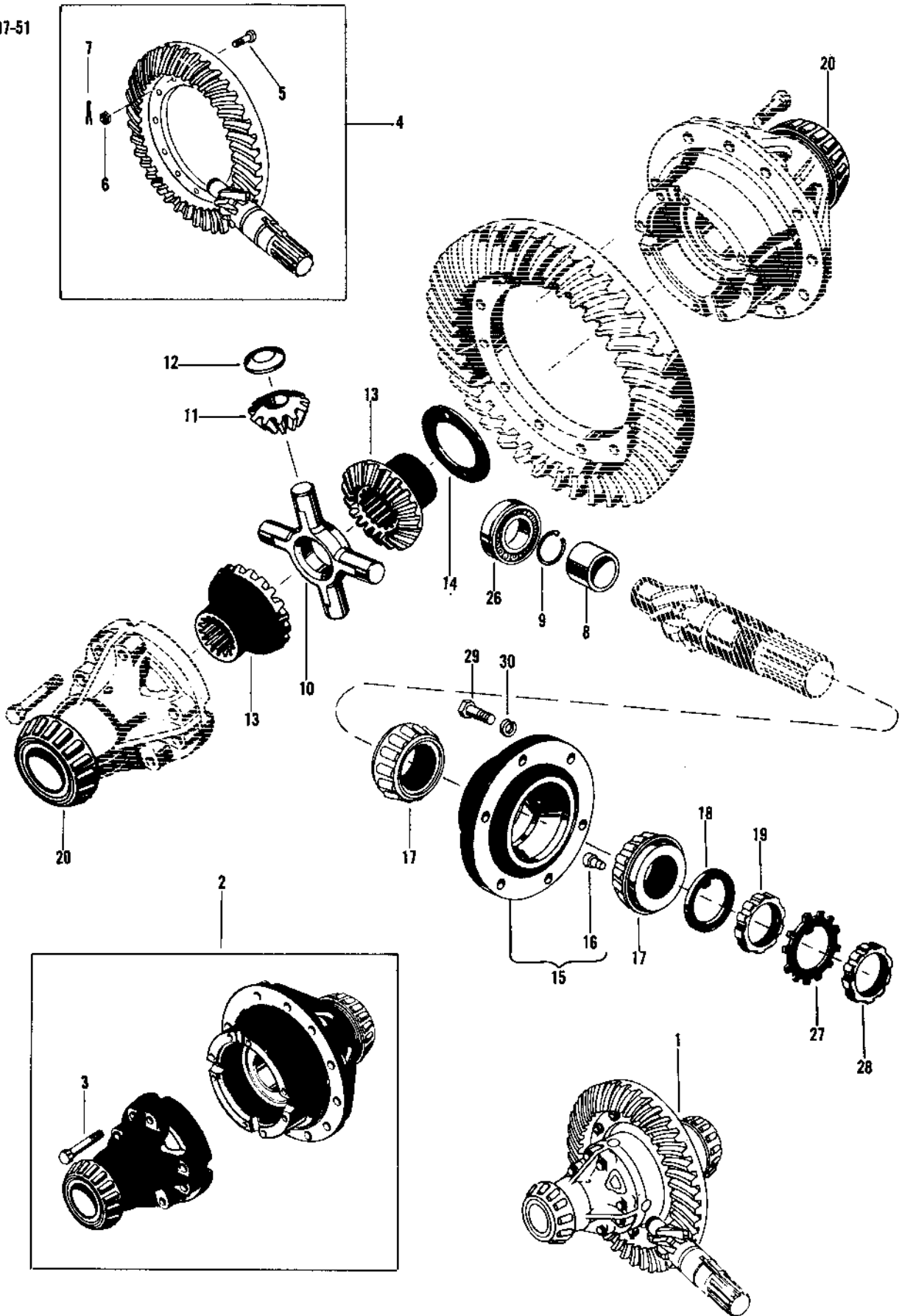
DIFFERENTIAL

(TO 30)

<u>Ref. No.</u>	<u>Part No.</u>	<u>Description</u>	<u>No. Req.</u>
1	181 435 M91	Differential Assembly.....	1
2	181 446 M91	Case Assembly.....	1
3	882 232 M1	Bolt (1/2 x 4" NC, Hex.).....	8
4	181 444 M91	Gear Set, Mated.....	1
5	825 776 M1	Bolt (1/2 x 1-45/64" NF, Special).....	12
6	891 947 M1	Nut (1/2" NF, Hex., Special).....	12
9	181 245 M1	Spider, Pinion (7" Dia.).....	1
10	181 244 M1	Pinion (10 Teeth).....	4
11	181 248 M1	Washer, Thrust, Pinion (2" Dia.).....	4
12	181 249 M3	Gear, Side (16 Bevel and 19 Spline Teeth).....	2
13	181 247 M1	Washer, Thrust, Side Gear (3 x 4-19/32 x 1/16").....	2
14	181 251 M92	Sleeve Assembly, Bevel Pinion Bearing.....	1
15	181 253 M1	Pin, Dowel.....	1
16	195 163 M1	Cone, Bearing, Sleeve.....	2
17	181 458 M1	Washer, Thrust, Sleeve Bearing.....	1
18	890 524 M1	Nut, Lock, Sleeve Bearing Thrust Washer.....	1
19	195 159 M1	Cone, Bearing.....	2
	195 160 M1	Cup, Bearing.....	2
25	195 195 M1	Bearing, Pinion Pilot (1" ID).....	1
26	181 457 M1	Washer, Lock, Bearing Retaining Nut.....	1
27	890 524 M1	Nut, Lock, Sleeve Bearing, Outer.....	1
28	181 224 M1	Bolt, Sleeve (9/16 x 1-1/4" NC, Hex.).....	6
29	353 447 X1	Washer (9/16" Lock).....	6

DIFFERENTIAL

F337-51

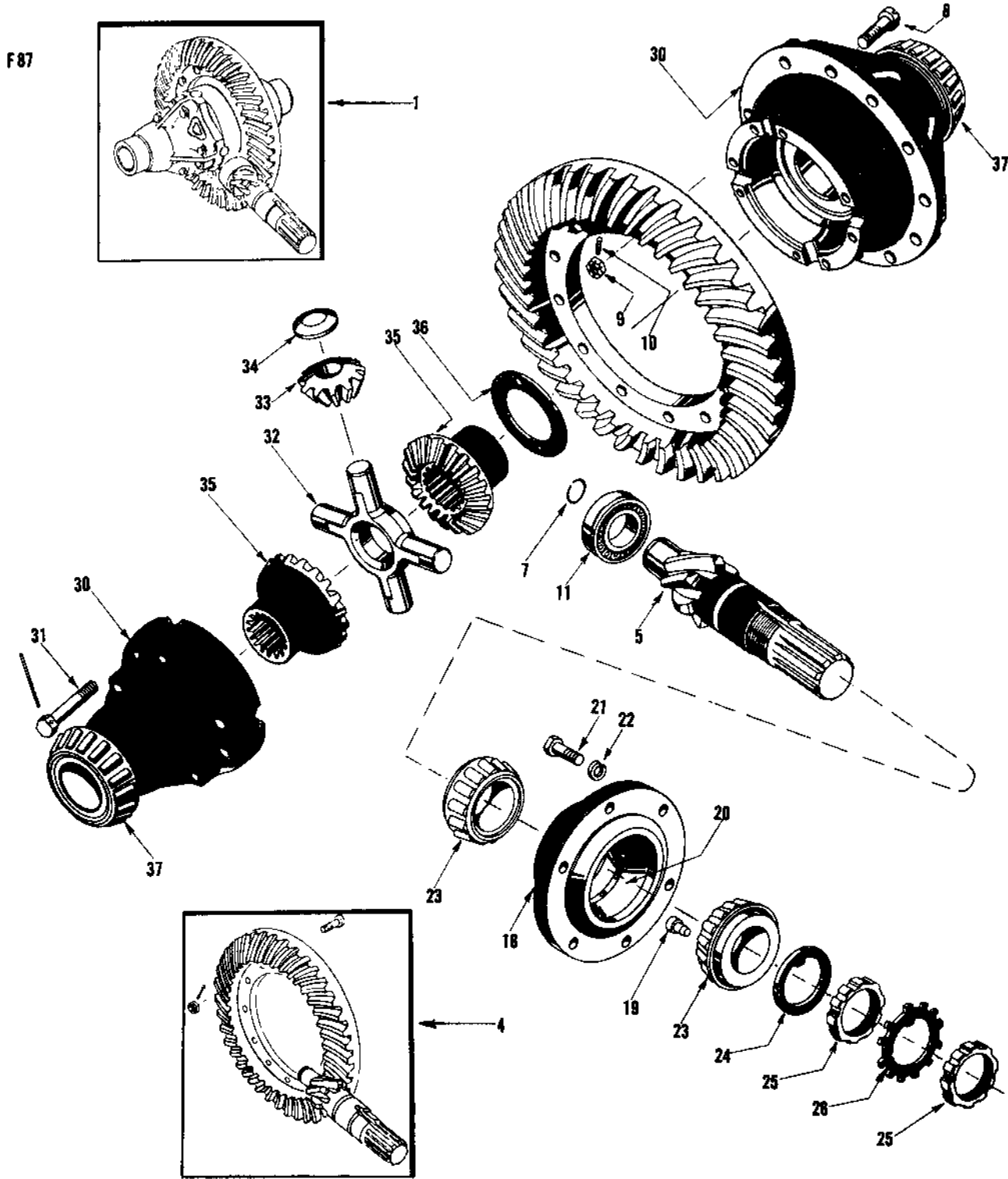


DIFFERENTIAL

(TO AND TE)

Ref. No.	Part No.	Description	No. Req.
1	181 442 M91	Differential Assembly.....	1
2	829 790 M91	Case Assembly.....	1
3	181 441 M1	Bolt (1/2 x 3" NC, Hex.).....	8
4	181 443 M91	Gear Set, Mated.....	1
5	181 436 M1	Bolt (1/2 x 1-13/32" NF, Special).....	12
6	353 926 X1	Nut (1/2" NF, Hex., Sltd.).....	12
7	354 061 X1	Cotter Pin (1/8 x 1-1/4").....	12
8	181 454 M1	Race, Pilot Bearing.....	1
9	890 523 M1	Ring, Snap, Race Retaining.....	1
10	181 437 M1	Spider, Pinion (6-1/4" Dia.).....	1
11	181 438 M1	Pinion (11 Teeth).....	4
12	181 448 M1	Washer, Thrust, Pinion (1-11/16" Dia.).....	4
13	181 450 M1	Gear, Side (20 Bevel and 16 Spline Teeth).....	2
14	181 447 M1	Washer, Thrust, Side Gear (2-5/16 x 3-9/16 x 1/16").....	2
15	181 453 M91	Sleeve Assembly, Bevel Pinion Bearing.....	1
16	181 253 M1	Pin, Dowel.....	1
17	195 163 M1	Cone, Bearing, Sleeve.....	2
18	181 458 M1	Washer, Thrust, Sleeve Bearing.....	1
19	890 524 M1	Nut, Lock, Sleeve Bearing Thrust Washer.....	1
20	195 159 M1	Cone, Bearing.....	2
	195 160 M1	Cup, Bearing.....	2
26	195 172 M1	Bearing, Pinion Pilot (1-1/4" ID).....	1
27	181 457 M1	Washer, Lock, Bearing Retaining Nut.....	1
28	890 524 M1	Nut, Lock, Sleeve Bearing, Outer.....	1
29	181 224 M1	Bolt, Sleeve (9/16 x 1-1/4" NC, Hex.).....	6
30	353 447 X1	Washer (9/16" Lock).....	6

DIFFERENTIAL



DIFFERENTIAL

113

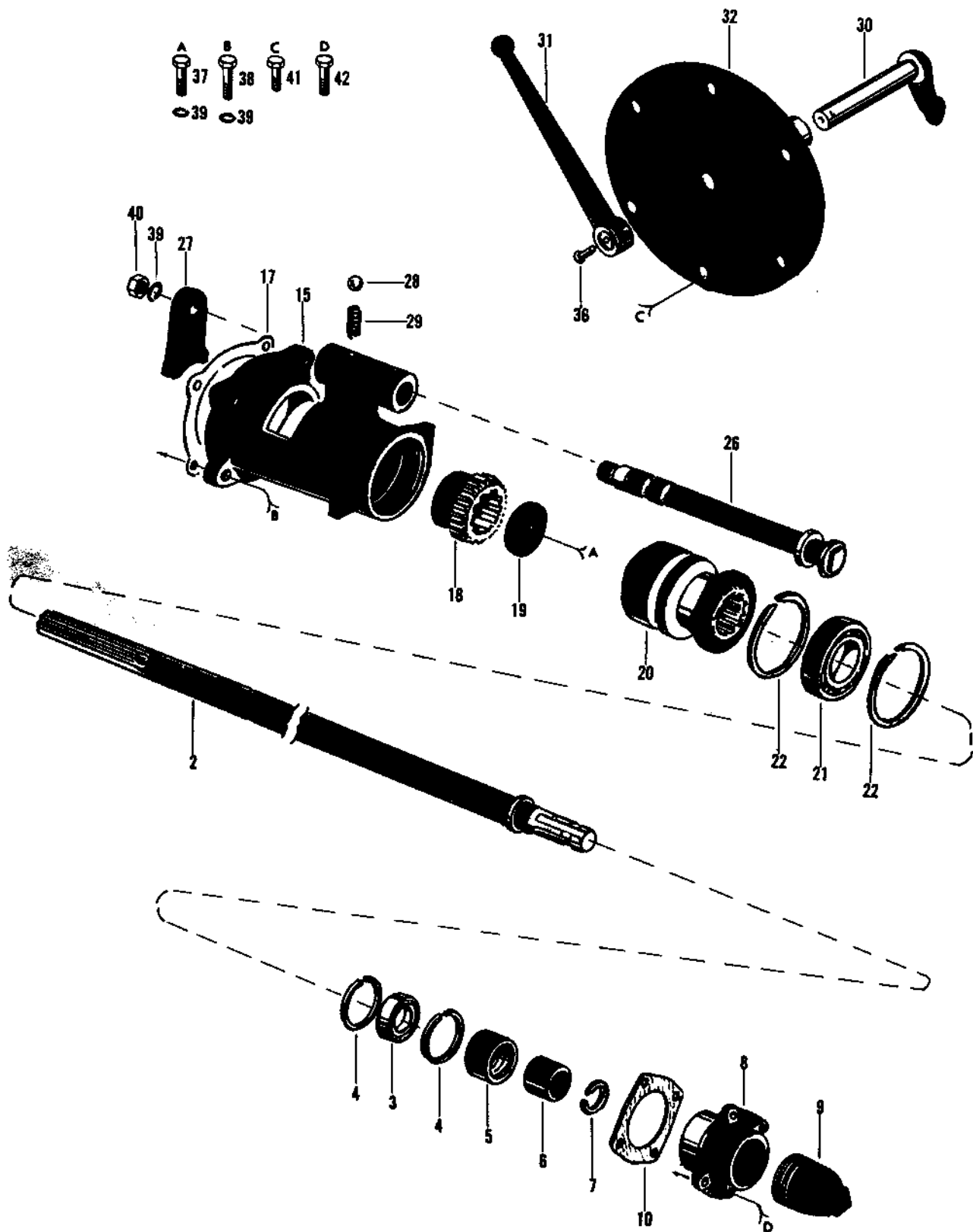
(TE-A20)

Ref. No.	Part No.	Description	80 MM	85 MM
1 (A,C)	825 421 M91	Differential Assembly (Complete).....	-	1
1 (B)	181 442 M91	Differential Assembly (Complete).....	1	1
4 (A)	825 422 M91	Gear Set, Mated.....	-	1
4 (B)	181 443 M91	Gear Set, Mated.....	1	1
5 (B)		Pinion Assembly, Bevel (9-3/4" Long) (Order 181 443 M91).....	1	1
	181 454 M1	Race, Pilot Bearing.....	1	1
7	890 523 M1	Ring, Snap, Race Retaining.....	1	1
8 (A)	181 266 M1	Bolt (1/2 x 1-3/4" NF, Sltd. Hd.)(Order 1 - 825 776 M1 Bolt and 1 - 891 947 M1 Nut).....	-	12
8 (B)	181 436 M1	Bolt (1/2 x 1-13/32" NF, Sltd. Hd.).....	12	12
9	353 926 X1	Nut (1/2" NF, Hex., Sltd.).....	12	12
10	354 061 X1	Cotter Pin (1/8 x 1-1/4").....	12	12
11 (B)	195 172 M1	Bearing, Pinion Pilot (1-1/4" ID).....	1	1
18 (A)	825 410 M91	Sleeve Assembly.....	-	1
18 (B)	181 453 M91	Sleeve Assembly.....	1	1
19	181 253 M1	Pin, Dowel.....	1	1
20	17 392 A	Cup, Bearing.....	2	2
21	181 224 M1	Bolt (9/16 x 1-1/4" NC, Hex.).....	6	6
22	353 447 X1	Washer (9/16" Lock).....	6	6
23	16 237 X	Cone, Bearing.....	2	2
24 (A)	825 420 M1	Washer, Thrust, Bearing.....	-	1
24 (B)	181 458 M1	Washer, Thrust, Bearing.....	1	1
25	890 524 M1	Nut, Lock, Pinion Bearing.....	2	2
26	181 457 M1	Washer, Lock Nut Retaining.....	1	1
	825 582 M1	Shim, Sleeve (.002").....	x	x
	825 583 M1	Shim, Sleeve (.003").....	x	x
30 (A)	181 446 M91	Case Assembly, Differential.....	-	1
30 (B)	829 790 M91	Case Assembly, Differential.....	1	1
31 (A)	882 232 M1	Bolt (1/2 x 4" NC, Hex.).....	-	8
31 (B)	181 441 M1	Bolt (1/2 x 3" NC, Hex.).....	8	8
32 (A)	181 245 M1	Spider, Differential Pinion (7" Dia.).....	-	1
32 (B)	181 437 M1	Spider, Differential Pinion (6-1/4" Dia.).....	1	1
33 (A)	181 244 M1	Pinion, Differential (10 Teeth).....	-	4
33 (B)	181 438 M1	Pinion, Differential (11 Teeth).....	4	4
34 (A)	181 248 M1	Washer, Thrust, Pinion (2" Dia.).....	-	4
34 (B)	181 448 M1	Washer, Thrust, Pinion (1-11/16" Dia.).....	4	4
35 (A)	181 249 M3	Gear, Differential (16 Bevel and 19 Spline Teeth).....	-	2
35 (B)	181 450 M1	Gear, Differential (20 Bevel and 16 Spline Teeth).....	2	2
36 (A)	181 247 M1	Washer, Thrust, Differential Gear (3 x 4-19/32 x 1/16").....	-	2
36 (B)	181 447 M1	Washer, Thrust, Differential Gear (2-5/16 x 3-9/16 x 1/16").....	2	2
37	195 159 M1	Cone, Bearing.....	2	2
	195 160 M1	Cup, Bearing.....	2	2

Notes: (A) - Used Tractor Serial No. 325001 and up.
 (B) - Used prior to Tractor Serial No. 325001.
 (C) - For repair order 1810031 M91.

POWER TAKE-OFF

F86-1

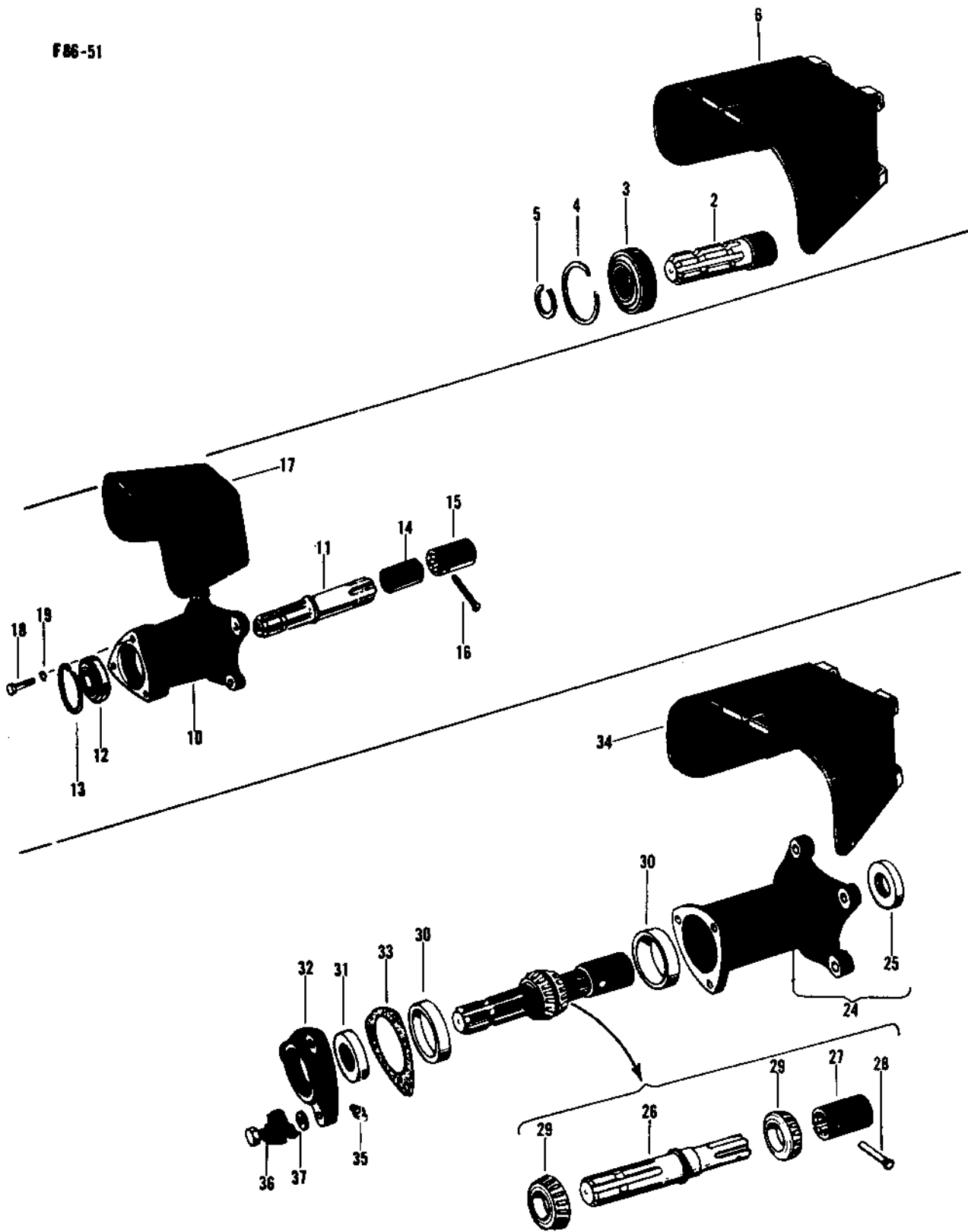


Ref. No.	Part No.	Description	No. Req.
	181 169 M91	Power Take-off Assembly.....	1
2	181 173 M1	Shaft, P.T.O.....	1
3	GA 1 773	Bearing, P.T.O. Shaft.....	1
4	195 682 M1	Ring, Snap, Bearing Retaining.....	2
5	195 763 M1	Seal, Oil (1-5/8 x 2-1/2 x 7/8").....	1
6	181 183 M1	Sleeve, Oil Seal.....	1
7	181 184 M1	Ring, Snap, Sleeve Retaining.....	1
8	181 182 M1	Cover, P.T.O. Shaft.....	1
9	181 181 M1	Cap, P.T.O. Shaft.....	1
10	181 431 M1	Gasket, P.T.O. Cover.....	1
15 (A)	181 172 M91	Support Assembly, P.T.O. Shaft.....	1
15 (B)	181 171 M91	Support Assembly, P.T.O. Shaft.....	1
	15 854 X	Cup, Countershaft Bearing (in Support).....	1
17	181 489 M1	Shim, Support (.003").....	x
17	181 490 M1	Shim, Support (.005").....	x
17	181 491 M1	Shim, Support (.012").....	x
17	181 492 M1	Shim, Support (.025").....	x
18	181 174 M1	Hub, Clutch, P.T.O.....	1
19	364 265 X1	Washer, Hub Retaining (13/32 x 1-1/2 x 9/64").....	1
20	181 175 M1	Sleeve, Clutch, P.T.O.....	1
21	GA 1 773	Bearing, P.T.O. Shaft.....	1
22	195 682 M1	Ring, Snap, Bearing Retaining.....	2
26	181 176 M1	Rail, Shifter, P.T.O.....	1
27	181 179 M1	Stop, Shifter Rail.....	1
28	22 199 X	Ball, Shifter Rail Lock.....	1
29	181 518 M1	Spring, Shifter Rail Lock Ball.....	1
30	181 177 M1	Fork, P.T.O. Shifter.....	1
31	181 180 M1	Lever, P.T.O. Shifter Fork.....	1
32	181 178 M1	Cover, P.T.O. Shifter.....	1
36	16 907 X	Rivet (1/4 x 1-3/8" Rd. Hd.).....	x
37	353 538 X1	Bolt (3/8 x 1" NF, Hex.).....	x
38	353 692 X1	Bolt (3/8 x 1-1/8" NC, Hex.).....	x
39	353 434 X1	Washer (3/8" Lock).....	x
40	353 431 X1	Nut (3/8" NF, Hex.).....	x
41	353 696 X1	Bolt (7/16 x 3/4" NC, Hex.).....	x
41	353 700 X1	Bolt (7/16 x 1-1/4" NC, Hex.).....	x
42	353 698 X1	Bolt (7/16 x 1" NC, Hex.).....	x

Notes: (A) - Used TO 30 Models.
 (B) - Used TO 20, TE 20 and TE-A20 Models.

P.T.O. EXTENSIONS

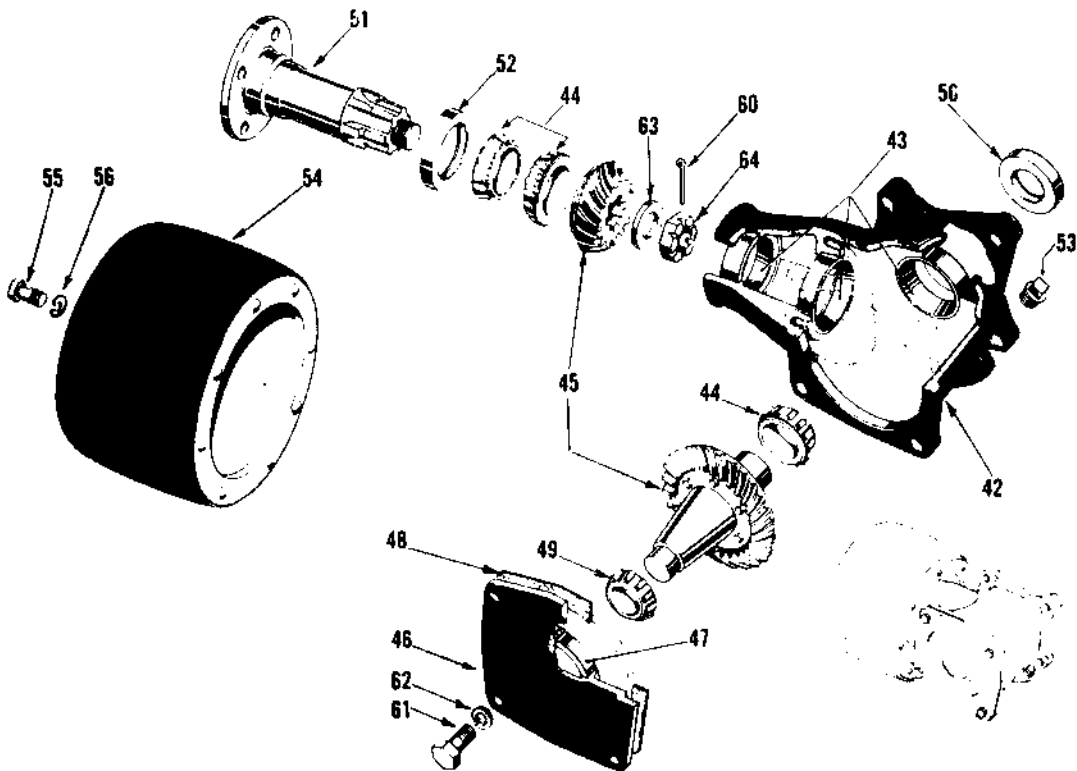
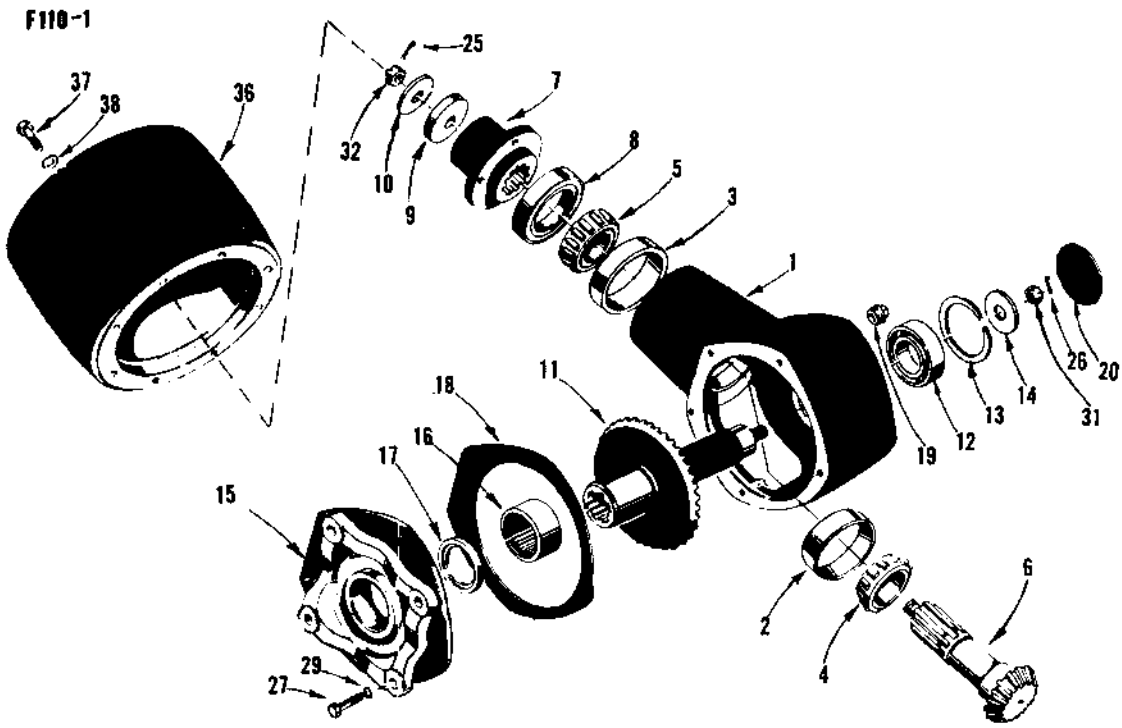
F86-51



P.T.O. EXTENSIONS

Ref. No.	Part No.	Description	No. Req.
	677 014	P.T.O. Extension Kit.....	1
2	181 773 M91	Shaft Assembly, Adapter.....	1
3	195 171 M1	Bearing Assembly, Adapter Shaft.....	1
4	195 512 M1	Ring, Snap, Bearing Retaining (Large).....	1
5	195 222 M1	Ring, Snap, Bearing Retaining (Small).....	1
6	185 083 M91	Guard Assembly, Adapter Shaft.....	1
	677 111	P.T.O. Extension Kit.....	1
10	182 785 M1	Housing, Shaft Extension.....	1
11	182 788 M1	Shaft, P.T.O. Extension.....	1
12	196 095 M1	Bearing, Ball.....	1
13	196 096 M1	Ring, Snap, Bearing Retaining.....	1
14	182 787 M1	Spacer, Coupling.....	1
15	181 282 M1	Coupling, P.T.O. Extension.....	1
16	16 928 X	Pin, Coupling (3/8 x 2-1/4" Rd. Hd.).....	1
17	181 289 M91	Guard Assembly, P.T.O. Extension Shaft.....	1
18	353 698 X1	Bolt (7/16 x 1" NC, Hex.).....	3
19	353 432 X1	Washer (7/16" Lock).....	3
	677 006	P.T.O. Extension Kit (This Kit no longer available; listed for Repairs of components only).....	-
24	184 312 M91	Housing Assembly, Shaft Extension.....	1
25	831 470 M1	Seal, Oil (1-1/2 x 2-1/2 x 11/32").....	1
26	181 832 M1	Shaft, P.T.O. Extension.....	1
27	181 839 M1	Sleeve, Shaft Adapter.....	1
28	16 926 X	Rivet, Sleeve (5/16 x 1-7/8" Rd. Hd.)(Order 480795 M91 1 lb. Box).....	1
29	13 659 X	Cone, Bearing, P.T.O. Shaft.....	2
30	16 234 X	Cup, Bearing, P.T.O. Shaft.....	2
31	195 716 M1	Seal, Oil (1-5/16 x 2-3/8 x 1/2").....	1
32	181 288 M1	Cover, Housing.....	
33	181 285 M1	Shim, Cover (.003").....	x
33	181 286 M1	Shim, Cover (.005").....	x
33	181 287 M1	Shim, Cover (.012").....	x
34	181 289 M91	Guard Assembly, P.T.O. Shaft.....	1
35	13 222 X	Grease Fitting (1/8" P.T. Str.)(Order 1900482 M91, Pkg. of 10)....	1
36	353 702 X1	Bolt (7/16 x 1-1/2" NC, Hex.).....	3
37	353 432 X1	Washer (7/16" Lock).....	3

BELT PULLEY

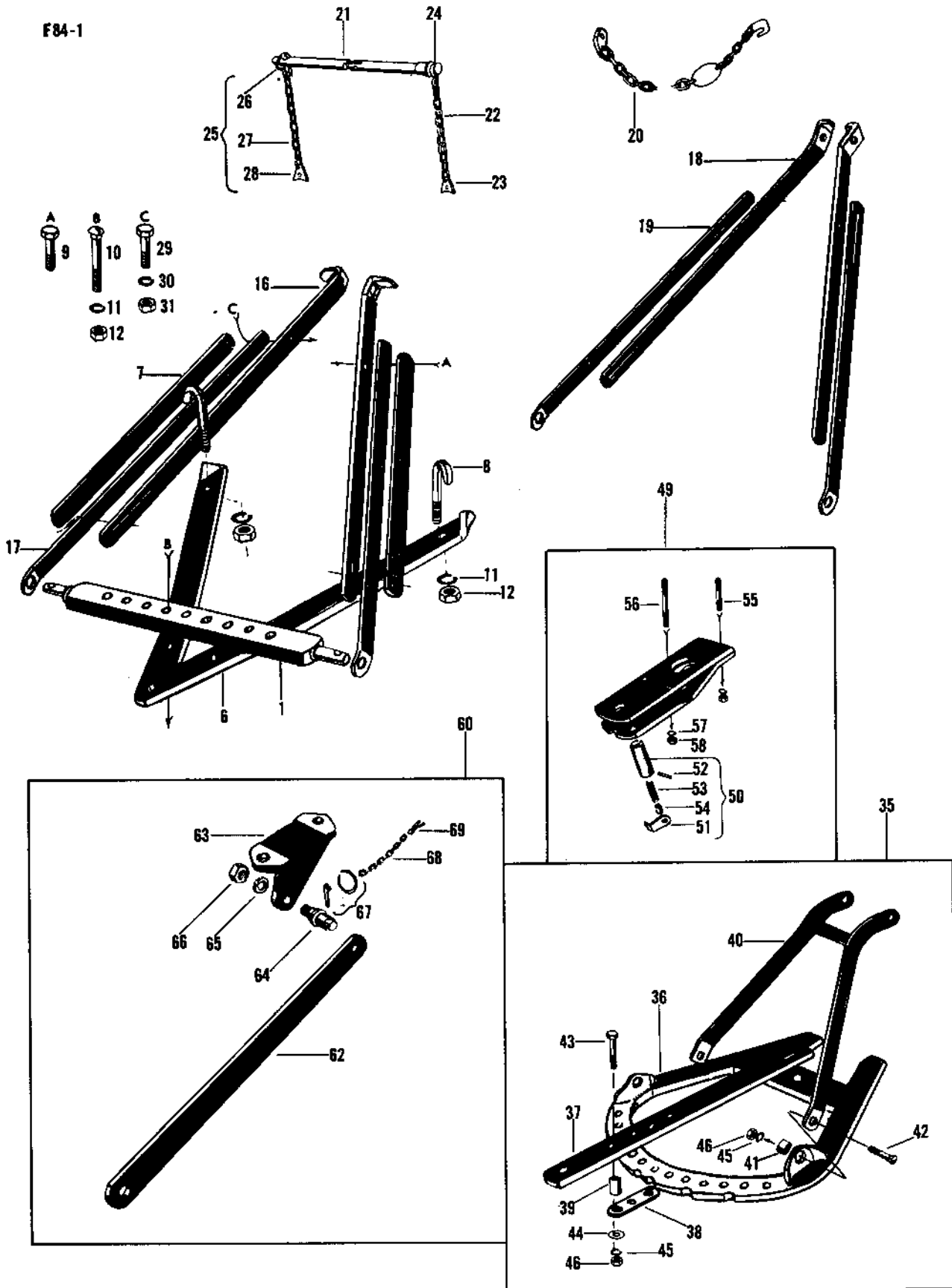


BELT PULLEY

Ref. No.	Part No.	Description	No. Req.
	677 085	Belt Pulley Kit.....	1
1	180 013 M91	Housing Assembly, Pulley Drive.....	1
2	15 854 X	Cup, Bearing (Inner).....	1
3	16 234 X	Cup, Bearing (Outer).....	1
4	15 853 X	Cone, Bearing (Inner).....	1
5	831 337 M1	Cone, Bearing (Outer).....	1
6	180 019 M1	Pinion, Pulley Drive.....	1
7	180 020 M1	Hub, Pulley Drive Pinion.....	1
8	195 474 M1	Seal, Oil (2 x 2-3/4 x 1/2").....	1
9	195 527 M1	Seal, Oil (7/8 x 1-5/8 x 1/8").....	1
10	675 222 M1	Washer, Pinion Shaft.....	1
11	180 016 M91	Gear Assembly, Pulley Drive.....	1
12	GA 1 773	Bearing, Ball.....	1
13	195 682 M1	Ring, Snap, Bearing Retaining.....	1
14	667 556 M1	Washer, Drive Gear.....	1
15	180 015 M1	Housing, Input Bearing.....	1
16	195 472 M1	Bearing, Needle.....	1
17	195 473 M1	Seal, Oil (1-3/4 x 2-1/8 x 3/16").....	1
18	180 021 M1	Gasket, Bearing Housing.....	1
19	195 251 M1	Plug (3/4" Pipe, Sq. Hd.).....	1
20	19 467 X	Plug (2-5/8" Expansion).....	1
25	354 070 X1	Cotter Pin (5/32 x 1-1/2").....	1
26	354 048 X1	Cotter Pin (3/32 x 3/4").....	1
27	353 698 X1	Screw, Cap, Bearing, Housing (7/16 x 1" NC, Hex.).....	5
29	353 432 X1	Washer (7/16" Lock).....	5
31	353 925 X1	Nut (7/16" NF, Hex., Sltd.).....	1
32	353 928 X1	Nut, Hub to Pinion (3/4" NF, Hex., Sltd.).....	1
36	677 702	Pulley Kit, Fiber (9" Dia.).....	1
37	353 558 X1	Bolt, Pulley to Hub (7/16 x 7/8" NF, Hex.).....	4
38	353 432 X1	Washer (7/16" Lock).....	4
(NON CURRENT)			
42	181 755 M91	Housing Assembly, Pulley.....	1
43	16 234 X	Cup, Bearing.....	3
44	831 337 M1	Cone, Bearing.....	3
45	181 749 M91	Gear Assembly, Pulley Shaft.....	1
46	181 754 M91	Cover Assembly, Pulley Housing.....	1
47	195 153 M1	Cup, Bearing.....	1
48	181 753 M1	Gasket (.012").....	x
48	181 752 M1	Gasket (.016").....	x
48	181 751 M1	Gasket (.020").....	x
49	195 152 M1	Cone, Bearing.....	1
50	195 759 M1	Seal, Oil (1-3/8 x 2-1/4 x 1/2").....	1
51	181 750 M1	Shaft, Pulley Drive.....	1
52	195 758 M1	Seal, Oil (1-11/16 x 2-3/4 x 1/2").....	1
53	375 182 X1	Plug (1/2" Pipe, Sq. Hd.).....	1
54	677 702	Pulley Assembly, Fiber (Order thru Whole Goods).....	1
55	353 558 X1	Bolt (7/16 x 7/8" NF, Hex.).....	4
56	353 432 X1	Washer (7/16" Lock).....	4
60	195 849 M1	Cotter Pin (1/8 x 7/8").....	x
61	353 698 X1	Bolt (7/16 x 1" NC, Hex.).....	x
62	353 432 X1	Washer (7/16" Lock).....	x
63	353 774 X1	Washer (5/8" Regular Flat).....	x
64	353 927 X1	Nut (5/8" NF, Hex., Sltd.).....	x

DRAWBAR

F84-1



DRAWBAR

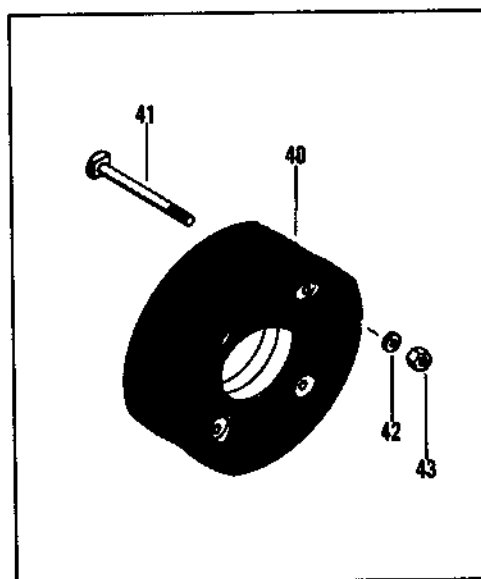
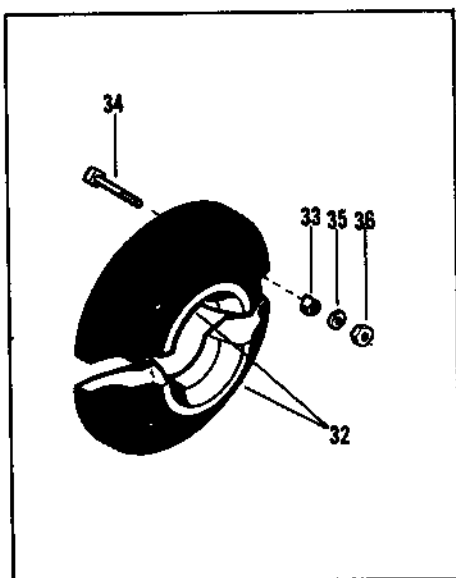
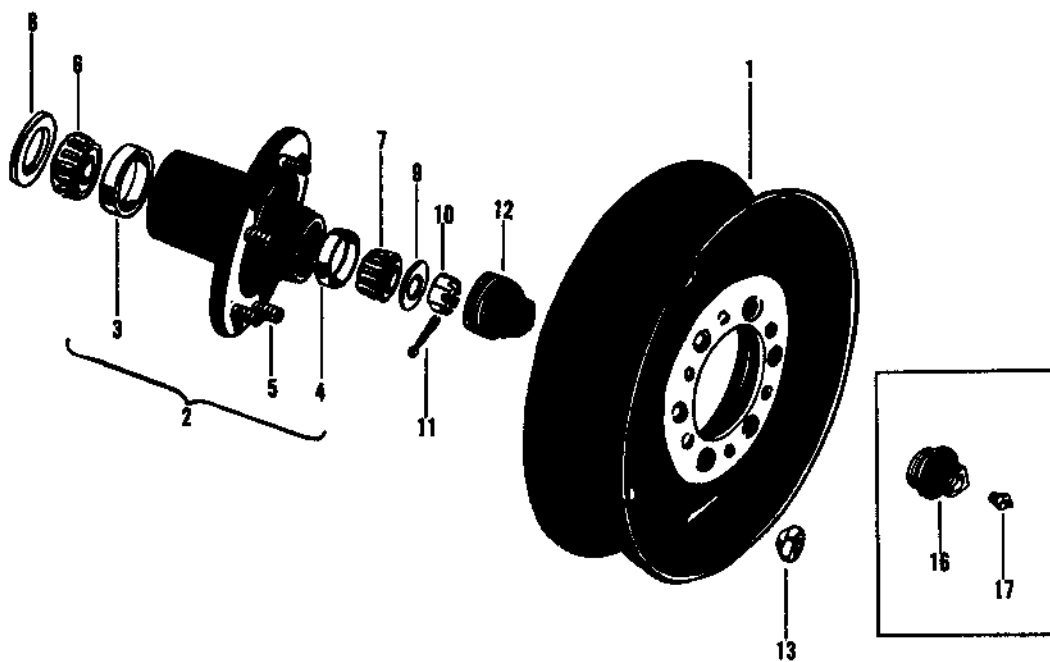
121

Ref. No.	Part No.	Description	No. Req.
1	677 240	Drawbar.....	1
	677 137	Drawbar Extension Kit.....	1
6	181 846 M92	Extension Assembly.....	1
7	183 103 M2	Brace, Stay (20" Long, w/3 Holes).....	2
8	182 811 M1	Bolt, Hook, Extension Support.....	2
9	353 562 X1	Bolt, Stay Brace (7/16 x 1-3/8" NF, Hex.).....	4
10	353 867 X1	Bolt, Extension (5/8 x 2-1/2" NF, Carr.).....	2
11	353 433 X1	Washer (5/8" Lock).....	4
12	353 427 X1	Nut (5/8" NF, Hex.).....	4
16 (A)	181 986 M1	Stay, Drawbar, Upper.....	2
17 (A)	181 985 M1	Stay, Drawbar, Lower.....	2
18 (B)	180 493 M1	Stay, Drawbar, Upper.....	2
19 (B)	180 494 M1	Stay, Drawbar, Lower.....	2
20	180 489 M91	Chain Assembly, Wedge.....	1
21	181 060 M91	Hitch Pin Assembly.....	1
22	195 340 M1	Chain (11 Links).....	1
23	180 913 M2	Anchor, Chain.....	1
24	195 559 M1	Eye, Pin Retainer.....	1
25	180 912 M92	Retainer Assembly, Hitch Pin.....	1
26	196 280 M91	Linch Pin Assembly.....	1
27	195 344 M1	Chain (8 Links).....	1
28	180 913 M2	Anchor, Chain.....	1
29	353 561 X1	Bolt (7/16 x 1-1/4" NF, Hex.).....	4
30	353 772 X1	Washer (7/16" Large Flat).....	4
31	353 426 X1	Nut (7/16" NF, Hex.).....	4
35	677 013	Swinging Drawbar Kit.....	1
36	181 766 M91	Guide Assembly, Drawbar.....	1
37	181 765 M1	Drawbar.....	1
38	181 764 M1	Plate, Drawbar Guide.....	1
39	181 763 M1	Spacer, Plate (1/2 x 3/4 x 7/8").....	2
40	181 767 M91	Strut Assembly, Guide Support.....	1
41	181 762 M1	Bushing, Strut Pivot (1/2 x 3/4 x 1/4").....	2
42	353 855 X1	Bolt, Strut (1/2 x 1-1/4" NF, Carr.).....	2
43	353 599 X1	Bolt, Drawbar (1/2 x 2" NF, Hex.).....	3
44	353 758 X1	Washer (1/2" Large Flat).....	2
45	353 439 X1	Washer (1/2" Lock).....	3
46	353 437 X1	Nut (1/2" NF, Hex.).....	5
49	677 012	Drawbar Clevis Kit.....	1
50	181 758 M91	Pin Assembly.....	1
51	181 761 M1	Lever, Latch (Order 181 758 M91).....	1
52	195 794 M1	Pin, Lever (5/16 x 1-1/2" Groove).....	1
53	181 759 M1	Spring, Latch.....	1
54	181 760 M1	Detent, Latch.....	1
55	181 757 M1	Stud (5/8" NC-NF x 2-9/16").....	2
56	181 756 M1	Stud (5/8" NC-NF x 3-3/4").....	2
57	353 433 X1	Washer (5/8" Lock).....	4
58	353 427 X1	Nut (5/8" NF, Hex.).....	4
60	677 022	Stabilizer Kit, Right Hand.....	1
60	677 023	Stabilizer Kit, Left Hand.....	1
62	181 778 M1	Link (3/8 x 33-7/8" Long).....	1
63	181 775 M91	Bracket Assembly, Right Hand.....	1
63	181 776 M91	Bracket Assembly, Left Hand.....	1
64	181 777 M1	Pin, Link.....	1
65	353 433 X1	Washer (5/8" Lock).....	1
66	353 427 X1	Nut (5/8" NF, Hex.).....	1
67	196 280 M91	Linch Pin Assembly.....	1
68	195 344 M1	Chain.....	1
69	354 089 X1	Cotter Pin (1/4 x 1-1/4").....	1

Notes: (A) - Used Late Model Tractors.
 (B) - Used Early Model Tractors.

FRONT WHEELS

F341-1



FRONT WHEELS

Ref. No.	Part No.	Description	No. Req.
1	180 367 M91	Rim Assembly (takes 4.00 x 19 Tire).....	2
1	506 020 M91	Rim Assembly (takes 6.00 x 16 Tire).....	2
2	180 338 M92	Hub Assembly, Front Wheel (See Item marked "A").....	2
3	763 402 M1	Cup, Bearing, Inner.....	1
4	850 127 M1	Cup, Bearing, Outer.....	1
5	181 328 M1	Bolt, Rim to Hub.....	6
6	350 351 X1	Cone, Bearing, Inner.....	2
7	150 662 M1	Cone, Bearing, Outer.....	2
8	180 008 M1	Seal, Dust (1-3/4 x 2-11/16 x 29/64").....	2
9	180 010 M1	Washer, Bearing Retainer.....	2
10	353 928 X1	Nut (3/4" NF, Hex., Sltd.).....	2
11	354 061 X1	Cotter Pin (5/32 x 1-1/4").....	2
12	180 009 M1	Cap, Hub (Order 1 - 1884 289 M1 and 1 - 13 811 X).....	2
13	195 490 M1	Nut, Hub Bolts.....	12
16	1 884 289 M1	Cap, Hub (Drilled for Grease Fitting).....	2
17	13 811 X	Grease Fitting (1/4" - 28 Str.)(Order 1900 487 M92 Pkg. of 10).....	2
(A)	825 616 M91	Hub Assembly, Front Wheel.....	2
	15 208 X	Cup, Bearing, Inner (Timken #15250).....	2
	15 114 X	Cone, Bearing, Inner (Timken #15118).....	2
	15 209 X	Cup (Timken #09196).....	2
	831 333 M1	Cone (Timken #09074).....	2

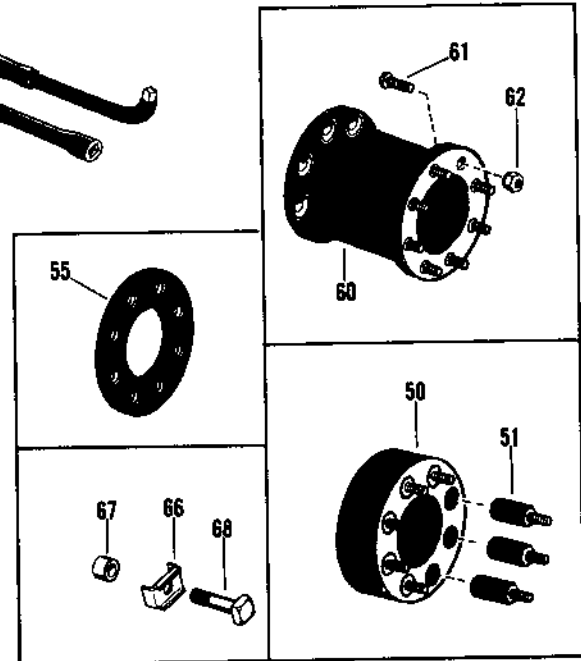
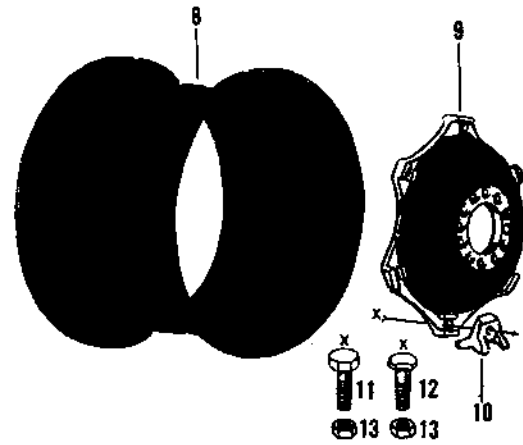
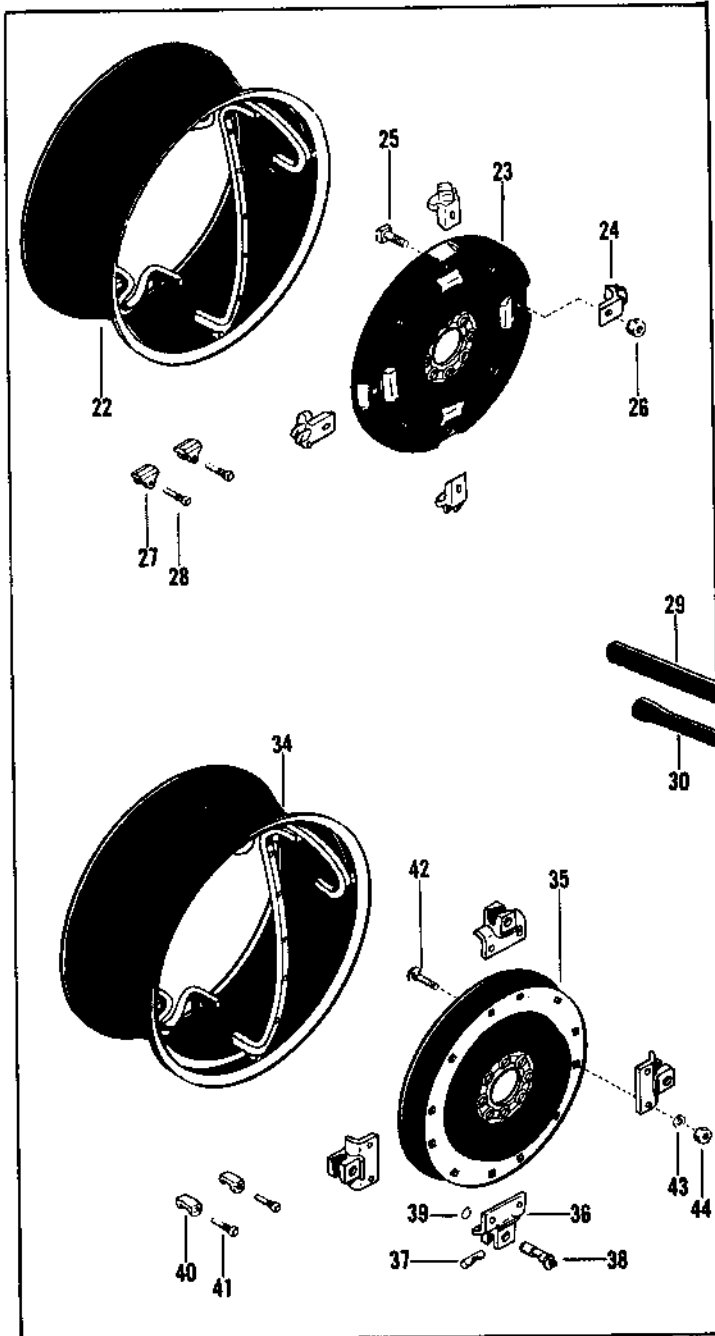
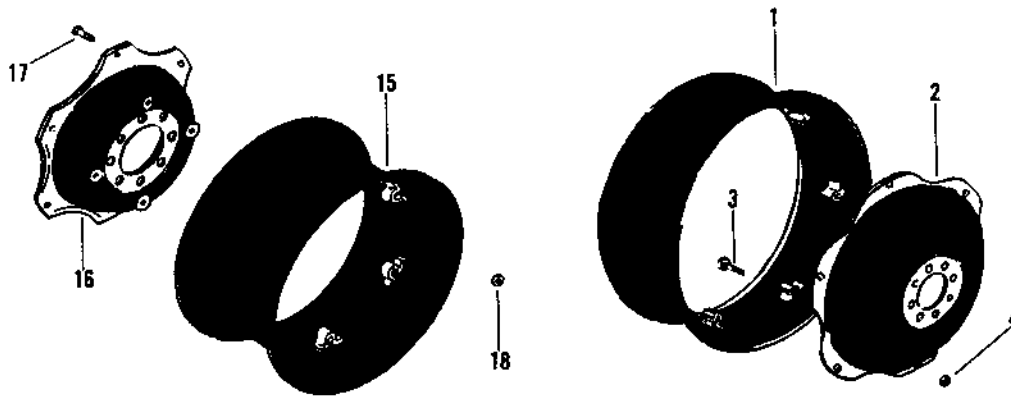
FRONT WHEEL WEIGHTS

32	677 218	Weight Kit, Inner (90 lbs. per wheel).....	1
33	180 775 M1	Washer, Weight (Wedge Type).....	8
34	195 683 M1	Bolt (1/2 x 4-1/8" NF, Machine).....	8
35	353 439 X1	Washer (1/2" Lock).....	8
36	353 437 X1	Nut (1/2" NF, Hex.).....	8
40	677 315	Weight Kit, Outer (90 lbs. per wheel)(Used w/677 218).....	1
41	191 672 M1	Bolt, Weight Attaching (1/2 x 6-3/4" NF, Machine).....	8
42	353 439 X1	Washer (1/2" Lock).....	8
43	353 437 X1	Nut (1/2" NF, Hex.).....	8

Note: (A) - Used prior to Tractor Serial Nos. (TE 20) 49998; also used Tractor Serial Nos. 52497 thru 52565.

REAR WHEELS

F341-51



1st Print

693 041 M4 (Issue 1) 5/73

REAR WHEELS

125

MANUAL ADJUSTED

Ref. No.	Part No.	Description	No. Req.
1	180 863 M91	Rim Assembly (takes 11 x 28 Tire).....	2
2	193 701 M1	Disc, Wheel Center.....	2
3	180 876 M1	Bolt, Rim to Disc (5/8 x 2-11/16" NF, Special)(Used TO Models).....	12
3	828 217 M1	Bolt, Rim to Disc (5/8 x 2-7/8" NF, Spec.)(Used TE & TE-A Models)..	12
4	353 427 X1	Nut, Rim Bolt (5/8" NF, Hex.).....	12
8	182 618 M2	Rim (takes 13 x 24 Tire).....	2
9	182 617 M1	Disc, Wheel Center.....	2
10	182 619 M1	Clamp, Disc.....	12
11	353 616 X1	Bolt, Clamp (5/8 x 2-1/8" NF, Hex.)(Optional w/353 731 X1).....	12
12	353 731 X1	Bolt, Clamp (5/8 x 2-1/8" NF, Button Hd.)(Optional w/353 616 X1)...	12
13	353 427 X1	Nut (5/8" NF, Hex.).....	12
	677 058	Rear Wheel Kit.....	1
15	186 017 M91	Rim Assembly (takes 13 x 24 Tire).....	2
16	186 186 M1	Disc, Wheel Center.....	2
17	180 876 M1	Bolt, Rim to Disc (5/8 x 2-11/16" NF, Special).....	12
18	353 427 X1	Nut (5/8" NF, Hex.).....	12

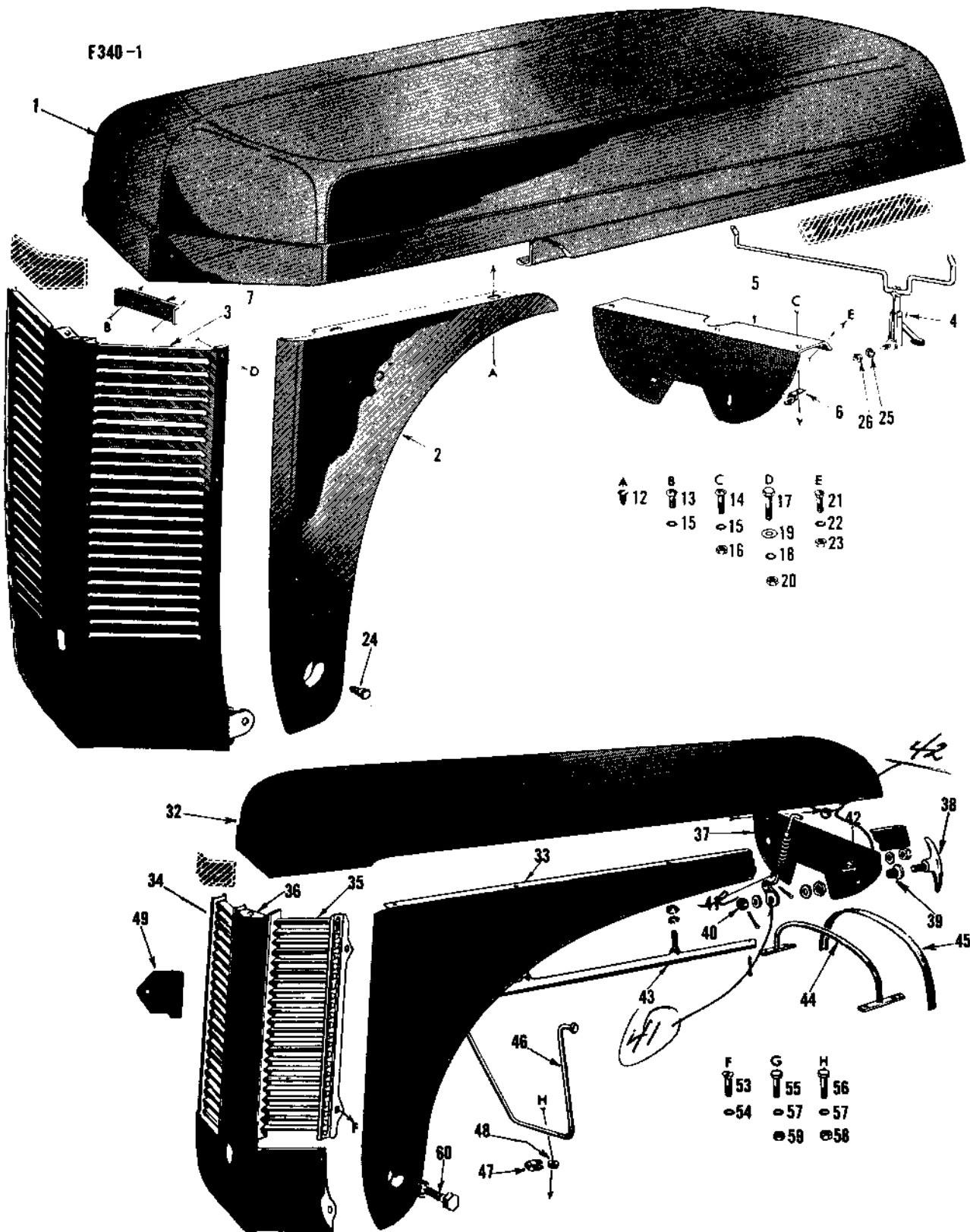
POWER ADJUSTED

	677 045	P.A.V.T. Wheel Kit.....	1
22	1 751 395 M92	Rim Assembly (takes 13.6/11 x 28 Tire).....	2
23	1 755 056 M1	Disc, Wheel Center.....	2
24	1 755 057 M2	Clamp, Disc to Rim.....	8
25	1 024 353 M1	Bolt, Disc Clamp.....	8
26	1 755 059 M1	Nut, Disc Clamp Bolt (Order 1 - 353 775 X1 & 1 - 375 100 X1).....	8
27	1 755 060 M1	Stop, Body.....	4
28	1 751 403 M1	Screw, Body Stop Retaining.....	4
29	182 093 M92	Handle Assembly, Wheel Wrench.....	1
30	187 557 M1	Socket, Wheel Wrench (1-21/64" Socket End).....	1
34	1 751 395 M92	Rim Assembly (takes 13.6/11 x 28 Tire).....	2
35	1 751 404 M1	Disc, Wheel Center.....	2
36	1 751 406 M1	Body, Eccentric Pin.....	8
37	1 751 407 M1	Lock, Eccentric Pin.....	8
38	1 751 405 M1	Pin, Eccentric.....	8
39	1 751 408 M1	Ring, Snap, Pin Retaining.....	8
40	1 751 402 M1	Stop, Body.....	4
41	1 751 403 M1	Screw, Body Stop.....	4
42	1 751 409 M1	Bolt (5/8 x 1-5/8" NC, Carr.).....	16
43	353 433 X1	Washer (5/8" Lock).....	16
44	375 099 X1	Nut (5/8" NC, Hex.).....	16
29	182 093 M92	Handle Assembly, Wheel Wrench.....	1
30	182 096 M1	Socket, Wheel Wrench (1/2" Socket End).....	1

ACCESSORIES

50	677 005	Dual Wheel Spacer Kit.....	1
51	181 770 M1	Nut, Wheel Spacer (9/16" NF, Special).....	16
55	677 057	Spacer Wheel Kit (Used w/677 005).....	1
60	677 118	Wheel Extension Kit.....	1
61	183 002 M1	Bolt, Extension (9/16" NF, Special).....	16
62	180 004 M1	Nut, Extension Bolt (9/16" NF, Special).....	16
	677 317	Bolt Adjusting Kit (Used w/Ramp Type Clamp).....	1
66	192 048 M1	Retainer, Bolt.....	8
67	192 058 M1	Spacer, Bolt.....	8
68	363 430 X1	Bolt (3/4 x 3" NC, Mach. Hd.).....	8

HOOD AND ATTACHING PARTS



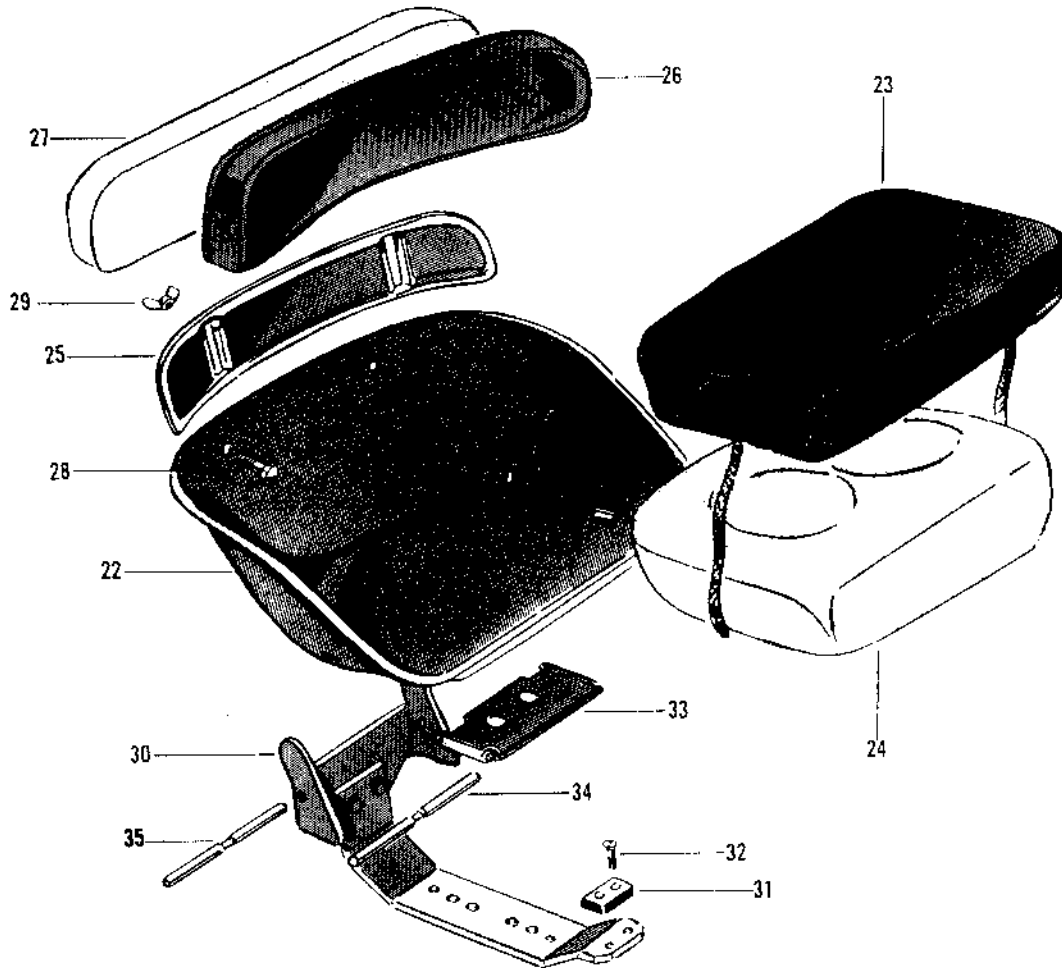
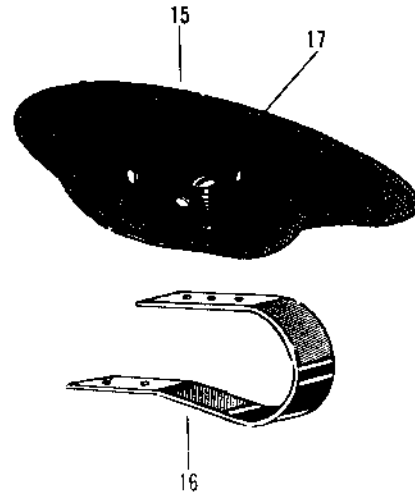
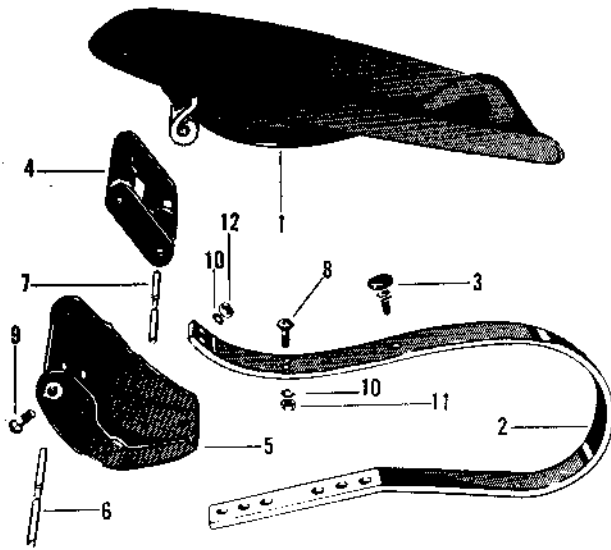
HOOD AND ATTACHING PARTS

(TO 20 AND TO 30)

Ref. No.	Part No.	Description	No. Req.
1	181 706 M91	Hood Assembly.....	1
2	181 704 M91	Panel Assembly, Left Hand Side.....	1
2	181 705 M91	Panel Assembly, Right Hand Side.....	1
3	181 627 M91	Grille Assembly, Radiator.....	1
4	181 703 M91	Latch Assembly, Hood.....	1
5	181 393 M1	Panel, Dash (TO 30).....	1
5	181 392 M1	Panel, Dash (TO 20).....	1
6	181 702 M1	Clip, Hood Latch.....	3
7	180 690 M1	Bracket, Front Name Plate Mounting.....	1
12	360 343 X1	Screw (#8 x 3/8" Self-Tapping).....	x
13	354 407 X1	Screw (#10 - 24 x 5/16" Rd. Hd.).....	x
14	353 980 X1	Screw (#10 - 24 x 3/8" Rd. Hd.).....	x
15	353 445 X1	Washer (#10 Lock).....	x
16	354 120 X1	Nut (#10 - 24 Hex.).....	x
17	353 501 X1	Bolt (1/4 x 1/2" NF, Hex.).....	x
18	353 441 X1	Washer (1/4" Lock).....	x
19	353 754 X1	Washer (1/4" Small Flat).....	x
20	353 918 X1	Nut (1/4" NF, Hex.).....	x
21	181 371 M1	Bolt (5/16 x 5/8" NF, Carr.).....	x
22	353 446 X1	Washer (5/16" Lock).....	x
23	353 916 X1	Nut (5/16" NF, Hex.).....	x
24	180 718 M1	Bolt, Pivot (7/16" NF, Hex., Special).....	x
25	353 432 X1	Washer (7/16" Lock).....	x
26	353 426 X1	Nut (7/16" NF, Hex.).....	x
(TE 20 AND TE-A20)			
32	825 634 M91	Hood Assembly.....	1
33	825 639 M91	Panel Assembly, Left Hand Side.....	1
33	825 640 M91	Panel Assembly, Right Hand Side.....	1
34	825 636 M91	Grille Assembly, Radiator, Right Hand Side.....	1
35	825 635 M91	Grille Assembly, Radiator, Left Hand Side.....	1
36	825 641 M91	Panel Assembly, Grille, Center and Lower.....	1
37 (A)	825 076 M1	Bulkhead.....	1
37 (B)	825 613 M1	Bulkhead.....	1
38	825 528 M91	Handle Assembly, Hood Latch.....	2
39	825 529 M1	Ferrule, Handle.....	2
40	825 530 M1	Nut (5/8" NF, Hex., Special).....	2
41	825 531 M1	Lever, Left Hand.....	1
41	825 532 M1	Lever, Right Hand.....	1
42	825 586 M91	Catch Assembly, Left Hand.....	1
42	825 587 M91	Catch Assembly, Right Hand.....	1
43	825 585 M91	Runner Assembly, Hood Side.....	2
44	825 627 M91	Strap Assembly, Hood.....	1
45	825 572 M1	Seal, Hood Strap.....	1
46	825 615 M1	Support, Hood.....	1
47	825 804 M1	Clip, Support.....	2
48	825 527 M1	Packing, Support.....	2
49 (B)	825 564 M1	Plate, Cowl Cover.....	1
53	825 521 M1	Screw, Grille to Side Panel.....	x
54	353 444 X1	Washer (#8 Lock).....	x
55	353 665 X1	Bolt (1/4 x 1/2" NC, Hex.).....	x
56	353 504 X1	Bolt (1/4 x 7/8" NF, Hex.).....	x
57	353 441 X1	Washer (1/4" Lock).....	x
58	353 918 X1	Nut (1/4" NF, Hex.).....	x
59	355 564 X1	Nut (1/4" NC, Hex.).....	x
60	180 718 M1	Bolt, Pivot (7/16" NF, Hex., Special).....	x

Notes: (A) - Used Tractor Serial No. (TE-A20, 85 MM) 200001 and up.
 (B) - Used prior to Tractor Serial No. (TE-A20, 85 MM) 200001.

F342-1



SEAT

(TO 30 AND TO 20)

Ref. No.	Part No.	Description	No. Req.
1	181 330 M91	Pan Assembly, Seat.....	1
2	181 333 M1	Spring, Seat.....	1
3	180 289 M1	Bumper, Pan (Rubber).....	1
4	181 338 M91	Hinge Assembly, Seat.....	1
5	181 322 M1	Link, Seat Hinge.....	1
6	181 321 M1	Pin, Hinge (3/8 x 6-7/8").....	1
7	181 320 M1	Pin, Hinge (3/8 x 7-5/16").....	1
8	354 410 X1	Screw (5/16 x 7/8" NC, Truss Hd.).....	2
9	353 793 X1	Bolt (5/16 x 7/8" NF, Carr.).....	2
10	353 446 X1	Washer (5/16" Lock).....	4
11	355 565 X1	Nut (5/16" NC, Hex.).....	2
12	353 916 X1	Nut (5/16" NF, Hex.).....	2

(TE 20 AND TE-A20)

15	825 577 M91	Pan Assembly, Seat.....	1
16	825 608 M1	Spring, Seat.....	1
17	825 511 M1	Bolt, Pan to Spring.....	1

(TE-A20 ONLY) (NOT ILLUSTRATED)

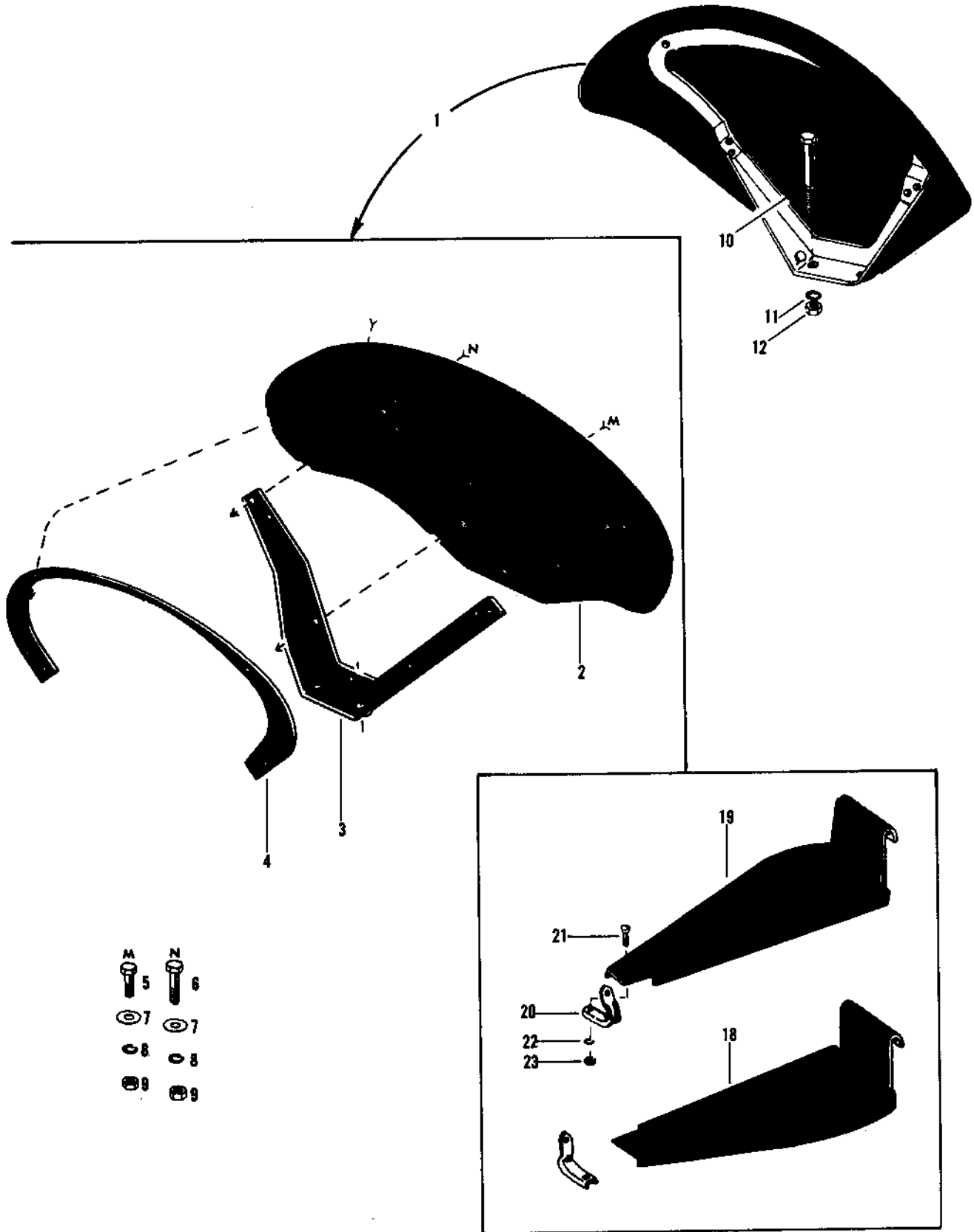
825 577 M91	Pan Assembly, Seat.....	1
825 608 M1	Spring, Seat.....	1
825 688 M1	Bumper, Pan.....	2
825 692 M91	Hinge Assembly, Seat.....	1
825 691 M1	Link, Seat Hinge.....	1
825 690 M1	Pin, Hinge.....	2
825 689 M1	Hinge, Male.....	1
825 693 M1	Bracket, Male Hinge.....	1
353 827 X1	Bolt (7/16 x 1-1/8" NF, Carr.).....	2
353 793 X1	Bolt (5/16 x 7/8" NF, Carr.).....	3
353 446 X1	Washer (5/16" Lock).....	3
353 432 X1	Washer (7/16" Lock).....	2
353 426 X1	Nut (7/16" NF, Hex.).....	2

DE-LUXE SEAT

(AVAILABLE FOR ALL MODELS)

677 044	DeLuxe Seat Kit.....	1	
22	181 313 M91	Pan Assembly, Seat.....	1
23	183 206 M91	Cover Assembly, Seat (Less Inlay) (Order 513 351 M91).....	1
24	181 326 M1	Inlay, Seat (Foam Rubber).....	1
25	1 883 385 M1	Support, Back Rest.....	1
26	513 353 M91	Cover Assembly, Back Rest (Less Inlay).....	1
27	181 324 M1	Inlay, Back Rest (Foam Rubber).....	1
28	353 807 X1	Bolt, Support (3/8 x 7/8" NF, Carr.).....	2
29	355 584 X1	Nut (3/8" NF, Wing).....	2
30	181 316 M92	Bracket Assembly, Seat Mounting.....	1
31	181 319 M1	Bumper, Seat (1 x 2 x 7/16" Rubber).....	1
32	354 239 X1	Screw, Bumper (1/4 x 1/2" NC, Flat Hd.).....	2
33	181 322 M1	Link, Seat Hinge.....	1
34	181 320 M1	Pin, Hinge (3/8 x 7-5/16").....	1
35	181 321 M1	Pin, Hinge (3/8 x 6-7/8").....	1

F340-51



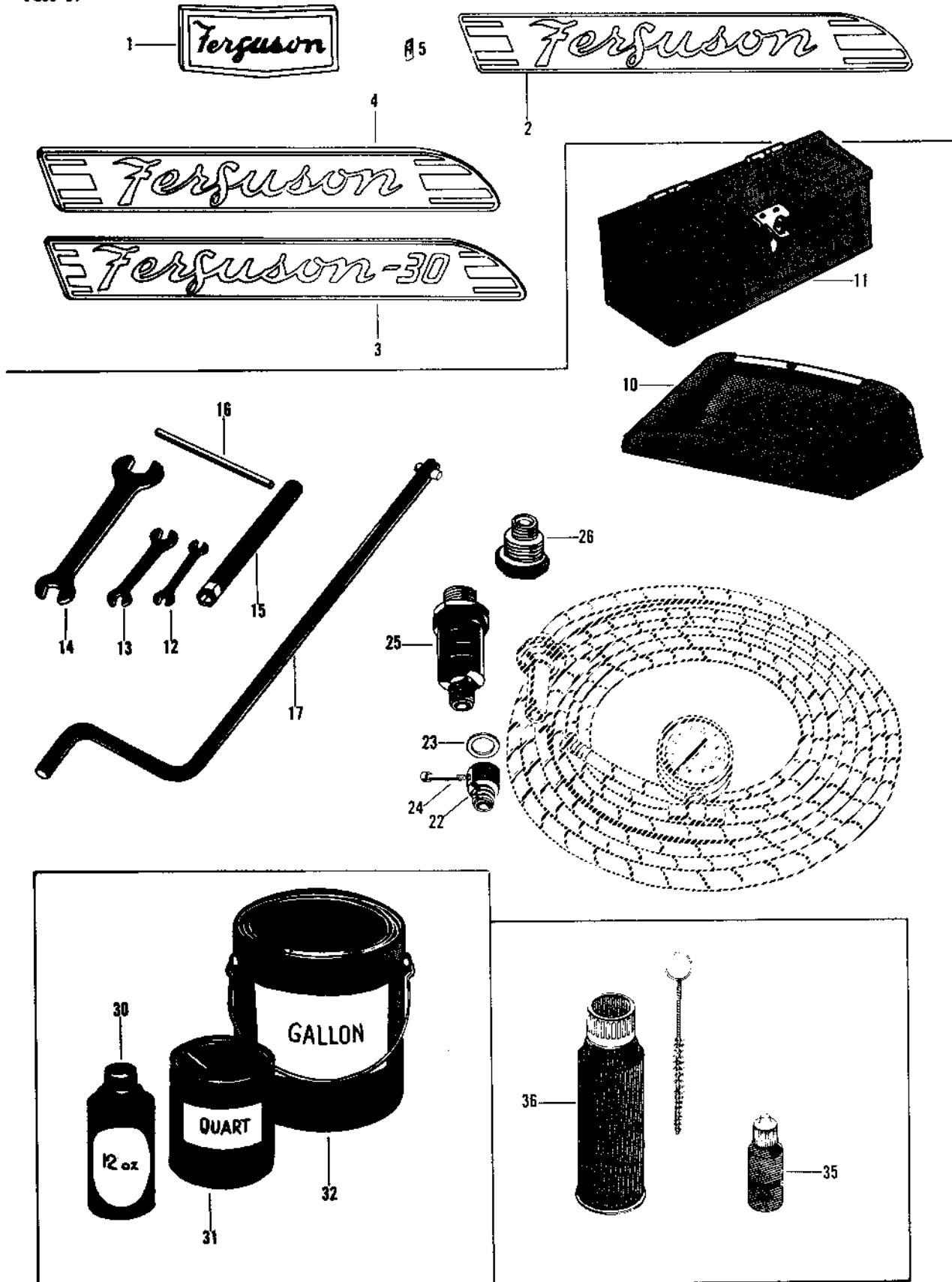
FENDERS

Ref. No.	Part No.	Description	No. Req.
1	180 707 M92	Fender Assembly (Order 526 905 M91).....	2
2	526 904 M91	Panel Assembly.....	1
3	513 349 M1	Support, Panel, Lower.....	1
4	513 349 M2	Support, Panel, Upper.....	1
5	353 537 X1	Bolt (3/8 x 7/8" NF, Hex.).....	3
6	353 541 X1	Bolt (3/8 x 1-3/8" NF, Hex.).....	4
7	353 756 X1	Washer (3/8" Small Flat).....	7
8	353 434 X1	Washer (3/8" Lock).....	7
9	353 431 X1	Nut (3/8" NF, Hex.).....	7
10	353 648 X1	Bolt, Fender to Axle Sleeve (5/8 x 6-1/8" NF, Hex.).....	4
11	353 433 X1	Washer (5/8" Lock).....	4
12	353 427 X1	Nut (5/8" NF, Hex.).....	4

PLATFORMS

18	191 929 M92	Platform Assembly, Right Hand Step.....	1
19	180 717 M91	Platform Assembly, Left Hand Step.....	1
20	180 590 M1	Bracket, Platform Support, Rear.....	1
21	353 801 X1	Bolt, Bracket to Platform (3/8 x 7/8" NF, Carr.).....	1
22	353 434 X1	Washer (3/8" Lock).....	1
23	353 431 X1	Nut (3/8" NF, Hex.).....	1

F233-51



Ref. No.	Part No.	Description	No. Req.
1	181 628 M1	Ferguson, Front Name Plate.....	1
2	189 256 M1	Ferguson, Decal, Right Hand Side.....	1
2	189 257 M1	Ferguson, Decal, Left Hand Side.....	1
3	181 709 M1	Ferguson 30, Casting, Right Hand Side (Order 1 - 189 256 M1 and 1 - 189 257 M1).....	1
3	181 710 M1	Ferguson 30, Casting, Left Hand Side (Order 1 - 189 256 M1 and 1 - 189 257 M1).....	1
4	181 707 M1	Ferguson, Casting, Right Hand Side (Order 1 - 189 256 M1 and 1 - 189 257 M1).....	1
4	181 708 M1	Ferguson, Casting, Left Hand Side (Order 1 - 189 256 M1 and 1 - 189 257 M1).....	1
5	195 679 M1	Nut, Speed, Name Plate Retaining.....	x

TOOLS

10	181 713 M1	Box, Tools (TO 20 and TO 30).....	1
11	825 633 M91	Box Assembly, Tools (TE 20 and TE-A20).....	1
12	180 090 M1	Wrench, Open End (3/8" and 7/16").....	1
13	180 089 M1	Wrench, Open End (1/2" and 9/16").....	1
14	180 108 M1	Wrench, Open End (11/16" and 1-1/16").....	1
15	180 091 M1	Wrench, Spark Plug (18 MM, 7/8" Hex.).....	1
15	181 714 M1	Wrench, Spark Plug (18 MM, 1" Hex.).....	1
16	180 092 M1	Handle, Spark Plug Wrench.....	1
17	180 890 M1	Crank, Starting.....	1
	181 863 M91	Gun Assembly, Grease.....	1
	1 751 355 M91	Adapter Assembly, Grease Gun.....	1
22	1 750 597 M1	Adapter, Tire Pump (18 MM).....	1
22	1 750 599 M1	Adapter, Tire Pump (14 MM).....	1
23	1 750 598 M1	Washer, Adapter.....	1
24	1 750 600 M1	Screw, Adapter Retaining.....	1
25	1 753 116 M91	Adapter, Tire Pump (18 MM).....	1
25	1 753 115 M1	Adapter, Tire Pump (14 MM)(Order 1753 490 M1).....	1
26	1 753 490 M1	Adapter (18 MM to 14 MM).....	1

PAINT

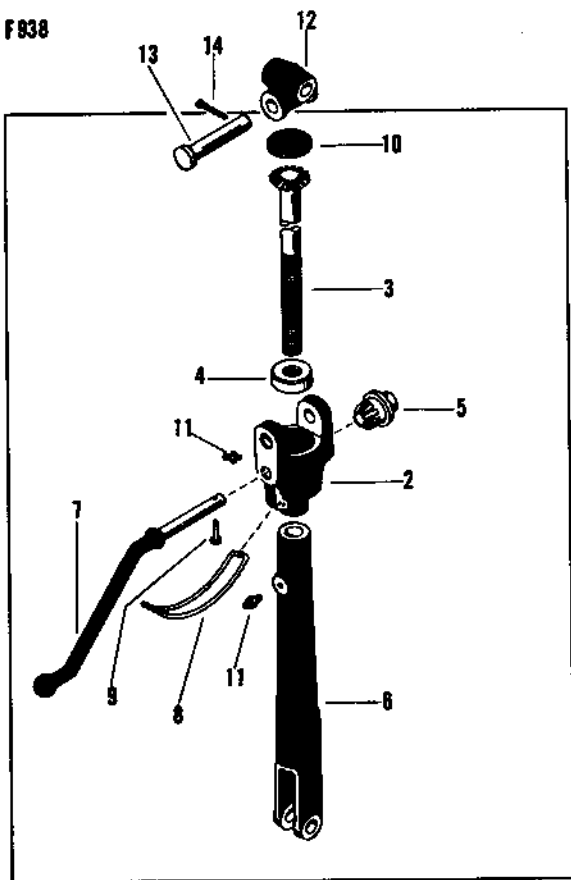
30	195 622 M1	Gray, Light (12 oz. Spray-on).....	x
31	195 620 M1	Gray, Light (Quart).....	x
32	195 621 M1	Gray, Light (Gallon).....	x
30	195 623 M1	Gray, Dark (12 oz. Spray-on).....	x
31	195 861 M1	Gray, Dark (Quart).....	x
32	195 862 M1	Gray, Dark (Gallon).....	x

THREAD ADHESIVE

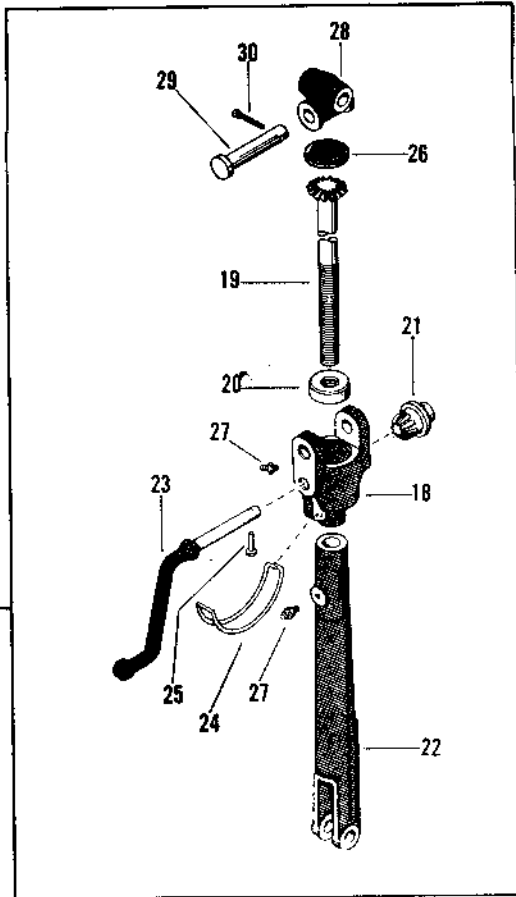
35	1 034 700 M1	Cement, "LocTite" (10 cc Bottle).....	x
36	1 035 023 M1	Primer, "LocQuic" (6 oz. Spray-on Can w/Brush).....	x

UPPER LIFT LINKS

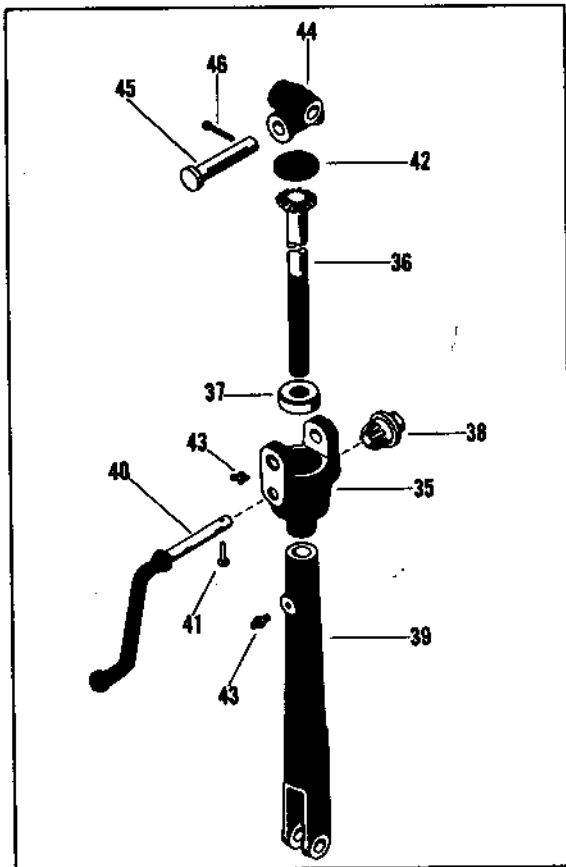
F838



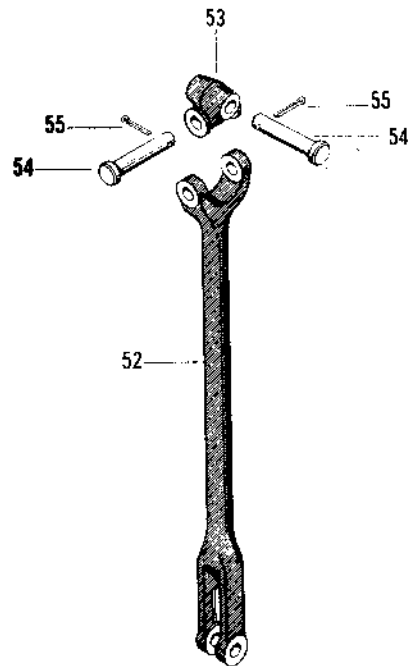
1



17



34



1st Print

693 041 M4 (Issue 1) 5/73

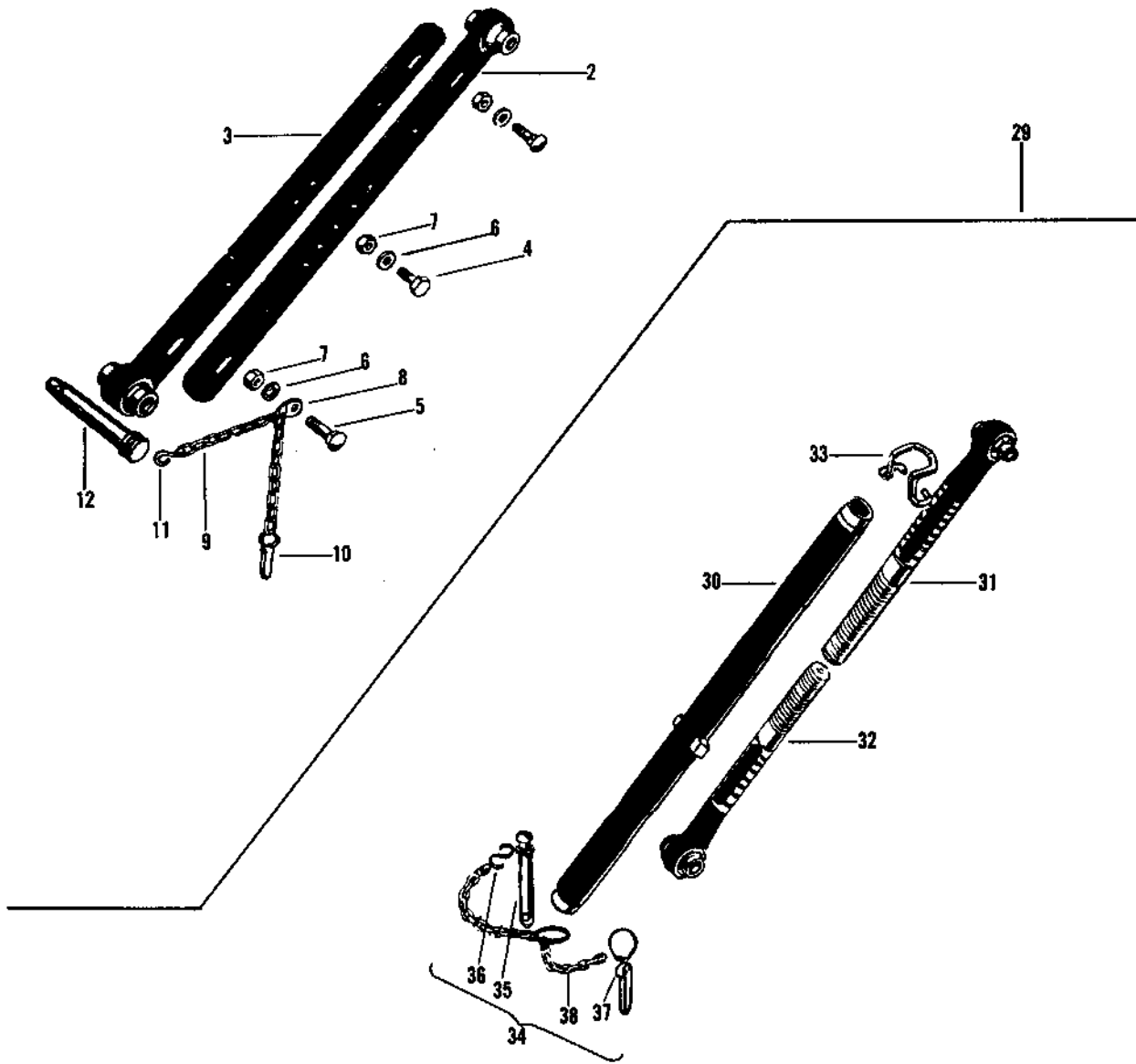
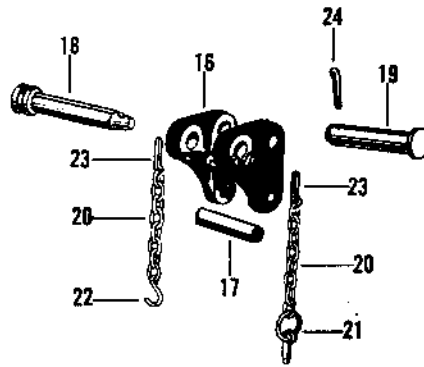
UPPER LIFT LINKS

Ref. No.	Part No.	Description	No. Req.
1 (A)	677 061	Leveling, Box Kit.....	1
2	193 181 M1	Box, Leveling.....	1
3	185 220 M1	Shaft, Pinion (10-1/2" Long).....	1
4	195 457 M1	Bearing, Pinion Shaft.....	1
5	181 345 M1	Gear, Leveling Box.....	1
6	184 358 M1	Fork, Leveling Box (14-1/8" Long).....	1
7	193 066 M1	Lever, Leveling Box Crank (Approx. 10" Long).....	1
8	193 092 M1	Ring, Lock, Crank (Approx. 5-1/4" Long).....	1
9	195 648 M1	Rivet, Crank Retaining (3/16 x 7/8" Oval Hd.).....	1
10	11 475 X	Plug, Leveling Box (1-3/4" Expansion).....	1
11	13 811 X	Grease Fitting (1/4" - 28 Str.)(Order 1900 487 M92 Pkg. of 10)....	2
12	180 853 M1	Knuckle, Box to Lift Shaft Arm.....	1
13	180 860 M1	Pin, Clevis, Knuckle Retaining.....	1
14	354 059 X1	Cotter Pin (1/8 x 1").....	1
17 (A)	182 642 M93	Box Assembly, Leveling.....	1
18	193 181 M1	Box, Leveling.....	1
19	185 220 M1	Shaft, Pinion (10-1/2" Long).....	1
20	195 457 M1	Bearing, Pinion Shaft.....	1
21	181 345 M1	Gear, Leveling Box.....	1
22	184 358 M1	Fork, Leveling Box (14-1/8" Long).....	1
23	181 349 M1	Lever, Leveling Box Crank (Approx. 7-1/2" Long)(Order 888 607 M1).	1
24	191 263 M1	Ring, Lock, Crank (Approx. 3-3/4" Long).....	1
25	195 648 M1	Rivet, Crank Retaining (3/16 x 7/8" Oval Hd.).....	1
26	11 475 X	Plug, Leveling Box (1-3/4" Expansion).....	1
27	13 811 X	Grease Fitting (1/4" - 28 Str.)(Order 1900 487 M92 Pkg. of 10)....	2
28	180 853 M1	Knuckle, Box to Lift Shaft Arm.....	1
29	180 860 M1	Pin, Clevis, Knuckle Retaining.....	1
30	354 059 X1	Cotter Pin (1/8 x 1").....	1
34 (A)	182 642 M92	Box Assembly, Leveling.....	1
35	181 344 M2	Box, Leveling (Order 193 181 M1).....	1
36	185 220 M1	Shaft, Pinion (10-1/2" Long).....	1
37	195 457 M1	Bearing, Pinion Shaft.....	1
38	181 345 M1	Gear, Leveling Box.....	1
39	184 358 M1	Fork, Leveling Box (14-1/8" Long).....	1
40	181 349 M1	Lever, Leveling Box Crank (Order 888 607 M1).....	1
41	195 648 M1	Rivet, Lock, Crank (3/16 x 7/8" Oval Hd.).....	1
42	11 475 X	Plug, Leveling Box (1-3/4" Expansion).....	1
43	13 811 X	Grease Fitting (1/4" - 28 Str.)(Order 1900 487 M92 Pkg. of 10)....	2
44	180 853 M1	Knuckle, Box to Lift Shaft Arm.....	1
45	180 860 M1	Pin, Clevis, Knuckle Retaining.....	1
46	354 059 X1	Cotter Pin (1/8 x 1").....	1
34 (A)	182 642 M91	Box Assembly, Leveling.....	1
35	181 344 M2	Box, Leveling (Order 193 181 M1).....	1
36 (A)	182 641 M1	Shaft, Pinion (9-5/8" Long).....	1
36 (A)	181 346 M1	Shaft, Pinion (14" Long).....	1
37	195 457 M1	Bearing, Pinion Shaft.....	1
38	181 345 M1	Gear, Leveling Box.....	1
39 (A)	182 391 M1	Fork, Leveling Box (14" Long).....	1
39 (A)	181 347 M1	Fork, Leveling Box (10-1/4" Long)(Order 890 674 M1).....	1
40	181 349 M1	Lever, Leveling Box Crank (Order 888 607 M1).....	1
41	195 648 M1	Rivet, Lock, Crank (3/16 x 7/8" Oval Hd.).....	1
42	11 475 X	Plug, Leveling Box (1-3/4" Expansion).....	1
43	13 811 X	Grease Fitting (1/4" - 28 Str.)(Order 1900 487 M92 Pkg. of 10)....	2
44	180 853 M1	Knuckle, Box to Lift Shaft Arm.....	1
45	180 860 M1	Pin, Clevis, Knuckle Retaining.....	1
46	354 059 X1	Cotter Pin (1/8 x 1").....	1
52	182 544 M92	Rod Assembly, Lift, Left Hand.....	1
53	180 853 M2	Knuckle, Lift Arm.....	1
54	180 860 M1	Pin, Clevis, Knuckle Retaining.....	3
55	354 059 X1	Cotter Pin (1/8 x 1").....	1

Note: (A) - Please check Assembly and components w/Picture or Listing before ordering.

UPPER CENTER LIFT LINKS

F85-1

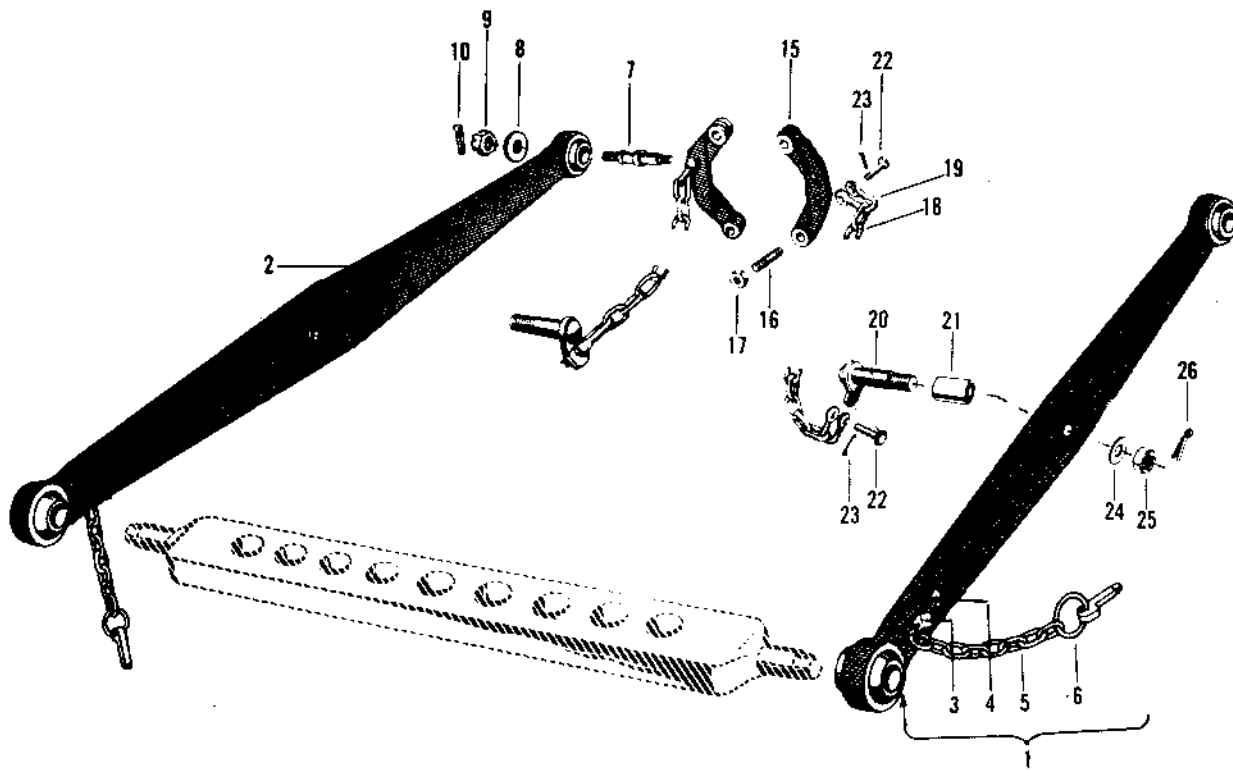


UPPER CENTER LIFT LINKS

Ref. No.	Part No.	Description	No. Req.
	180 855 M91	Link Assembly.....	1
2	181 351 M91	Link Assembly, Top Half.....	1
3	181 353 M91	Link Assembly, Bottom Half.....	1
4	353 562 X1	Bolt (7/16 x 1-3/8" NF, Hex.).....	1
5	353 830 X1	Bolt (7/16 x 1-1/2" NF, Carr.).....	2
6	353 772 X1	Washer (7/16" Large Flat).....	3
7	353 426 X1	Nut (7/16" NF, Hex.).....	3
8	195 373 M1	Anchor, Chain.....	1
9	184 089 M1	Chain (20 Links).....	1
10	196 280 M91	Linch Pin Assembly.....	1
11	195 559 M1	Eye, "S" Hook.....	1
12	195 647 M1	Pin, Implement Attaching.....	1
16	186 273 M91	Rocker Assembly, Hydraulic Lift.....	1
17	181 049 M1	Bushing, Hitch Pin (25/32 x 1 x 13/16").....	1
18	195 647 M1	Pin, Upper Link Attaching.....	1
19	195 481 M1	Pin, Rocker to Yoke.....	1
20	195 344 M1	Chain.....	2
21	196 280 M91	Linch Pin Assembly.....	1
22	195 559 M1	Eye, Pin Retainer.....	1
23	354 074 X1	Cotter Pin (3/16 x 3/4").....	2
24	354 089 X1	Cotter Pin (1/4 x 1-1/4").....	1
29	677 197	Adjustable Top Link Kit.....	1
30	184 891 M91	Tube Assembly, Center.....	1
31	184 079 M91	Link Assembly, Tractor End (Right Hand Thread).....	1
32	183 619 M92	Link Assembly, Implement End (Left Hand Thread).....	1
33	183 614 M2	Lock, Spring, Top Link.....	1
34	184 355 M91	Pin and Chain Assembly (at Implement End).....	1
35	831 513 M1	Pin, Top Link Retaining.....	1
36	195 559 M1	Eye, "S" Hook.....	1
37	763 672 M91	Linch Pin Assembly.....	1
38	184 089 M1	Chain (20 Links).....	1

LOWER LIFT LINKS AND CHECK CHAIN

F85-51

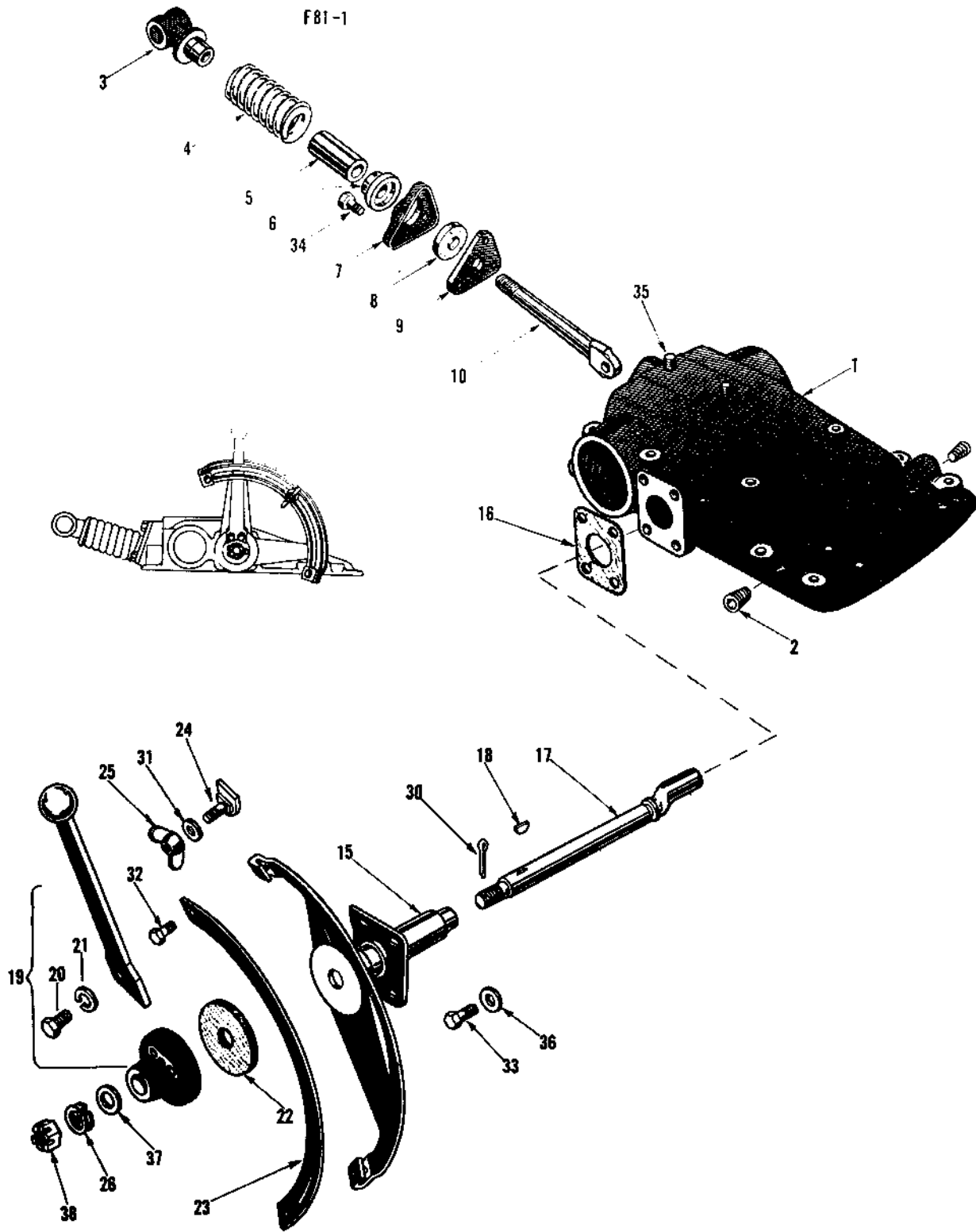


LOWER LIFT LINKS AND CHECK CHAIN

<u>Ref. No.</u>	<u>Part No.</u>	<u>Description</u>	<u>No. Req.</u>
1	180 847 M91	Link Assembly, Right Hand (Incl. Items 3 thru 6).....	1
2	180 846 M91	Link Assembly, Left Hand (Incl. Items 3 thru 6).....	1
3	195 645 M1	Clip, Linch Pin Retaining.....	1
4	16 898 X	Rivet, Clip (3/16 x 1-1/8" Button Hd.)(Order 480 793-M91,1 lb.Box)	2
5	195 344 M1	Chain.....	1
6	196 280 M91	Linch Pin Assembly.....	1
7	181 229 M2	Shaft, Lower Link (TO Models).....	2
7	825 502 M1	Shaft, Lower Link (TE and TE-A Models).....	2
8	353 774 X1	Washer (5/8" Large Flat).....	2
9	353 927 X1	Nut (5/8" NF, Hex., Sltd.).....	2
10	354 059 X1	Cotter Pin (1/8 x 1").....	2
15	182 897 M1	Anchor, Check Chain.....	2
16	353 964 X1	Stud, Anchor (7/16" NC-NF x 1-7/8").....	4
17	353 426 X1	Nut (7/16" NF, Hex.).....	4
18	181 354 M1	Chain Assembly, Check.....	
19	180 333 M1	Clevis, Check Chain.....	2
20 (A)	180 856 M91	Eyebolt Assembly.....	2
21	180 859 M1	Bushing, Eyebolt (7/16 x 5/8 x 1-1/2").....	2
22	195 239 M1	Pin, Clevis, Check Chain.....	4
23	354 055 X1	Cotter Pin (1/8 x 1/2").....	4
24	353 757 X1	Washer (7/16" Small Flat).....	2
25	353 925 X1	Nut (7/16" NF, Hex., Sltd.).....	2
26	354 057 X1	Cotter Pin (1/8 x 3/4").....	2

Notes: (A) - For repair order 1 of each 894 466 M1 Clip, 353 571 X1 Bolt and 353 428 X1 Nut.

HYDRAULIC LIFT COVER AND CONTROLS



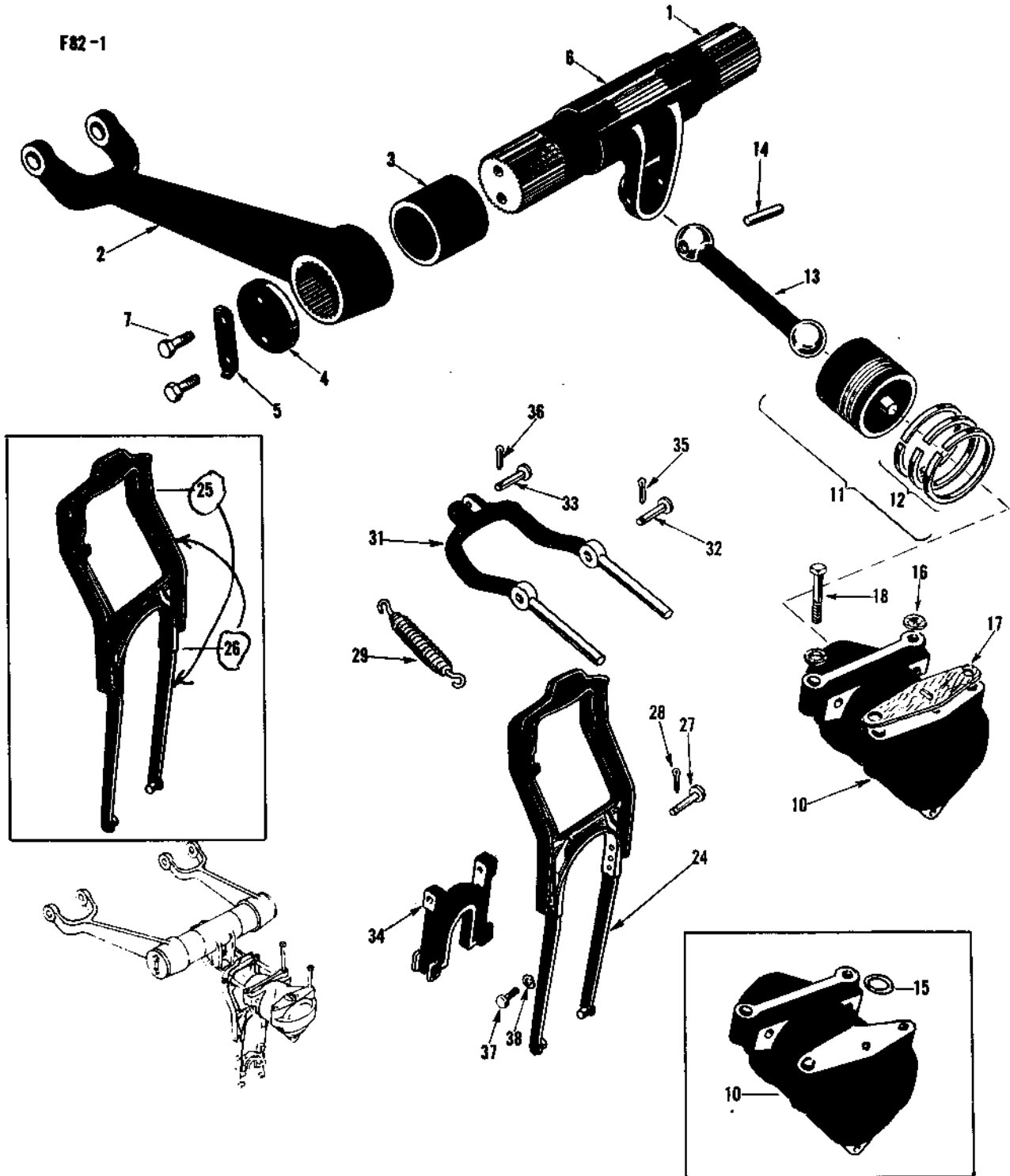
HYDRAULIC LIFT COVER AND CONTROLS

Ref. No.	Part No.	Description	No. Req.
1	180 880 M1	Cover, Hydraulic Lift (See Notes for TE-A20)	1
2 (A)	195 387 M1	Plug, Cover (3/8" P.T., Ctsk. Sckt. Hd.)	2
2 (B)	195 854 M1	Plug, Cover (1/4" P.T., Sq. Ext. Hd.)	2
3	181 055 M1	Yoke, Hydraulic Lift	1
4	180 998 M1	Spring, Hydraulic Lift	1
5	181 083 M1	Spacer, Lift Spring	1
6	181 098 M1	Seat, Lift Spring	1
7	890 530 M1	Support, Lift Spring Seat	1
8	180 895 M1	Cushion (17/32 x 1-9/16 x 1/4")	1
9	180 894 M1	Plate, Pad Retaining	1
10	890 700 M1	Plunger, Lift Spring Control	1
15	180 886 M91	Quadrant Assembly, Lift Control	1
16	180 897 M1	Gasket, Quadrant to Cover	1
17	180 888 M1	Shaft, Control Lever (Order 890 699 M1)	1
18	1 691 X	Key (5/32 x 5/8" Woodruff)	1
19	185 148 M91	Lever Assembly, Hydraulic Lift Control	1
20	354 437 X1	Bolt (1/4 x 7/8" NC, Hex.)	2
21	353 441 X1	Washer (1/4" Lock)	2
22	180 889 M1	Disc, Friction Plate	1
23	180 891 M1	Retainer, Control Lever	1
24	825 753 M91	Stop Assembly, Control Lever	1
25	355 582 X1	Nut, Stop Lock (1/4" NF, Wing)	1
26	180 893 M1	Spring, Control Shaft	1
30	354 057 X1	Cotter Pin (1/8 x 3/4")	x
31	353 754 X1	Washer (1/4" Small Flat)	x
32	353 674 X1	Bolt (5/16 x 3/8" NC, Hex.)	x
33	354 403 X1	Bolt (7/16 x 15/16" NC, Hex.)	x
34	353 699 X1	Bolt (7/16 x 1-1/8" NC, Hex.)	x
35	353 691 X1	Stud (7/16" NC-NF x 1-1/2")	x
36	353 772 X1	Washer (7/16" Large Flat)	x
37	353 757 X1	Washer (7/16" Small Flat)	x
38	353 925 X1	Nut (7/16" NF, Hex., Sltd.)	x
(USED TE-A20, 85 MM ONLY)			
(NOT ILLUSTRATED)			
(C)	825 464 M91	Cover Assembly, Hydraulic Lift	1
(D)	825 101 M91	Cover Assembly, Hydraulic Lift	1
(E)	180 880 M1	Cover Assembly, Hydraulic Lift	1
(C)	825 786 M1	Poppet, Cover	1
(C)	361 026 X1	Ball, Poppet	1
(C)	825 424 M1	Seat, Poppet	1
(C)	825 426 M1	Spring, Poppet	1
(C)	825 427 M1	Washer, Poppet	1
(C)	825 428 M1	Washer, Poppet	1
(C)	825 429 M1	Shim, Poppet	x
	825 425 M1	Plug, Cover, Left Hand	1
	825 437 M1	Plug, Cover, Right Hand	1

- Notes: (A) - Used Tractor Serial No. (TO 20) 11000 and up.
 (B) - Used prior to Tractor Serial No. (TO 20) 11000.
 (C) - Used Tractor Serial No. 330043 and up.
 (D) - Used Tractor Serial No. 268153 thru 330042.
 (E) - Used prior to Tractor Serial No. 268153.

HYDRAULIC LIFT SHAFT

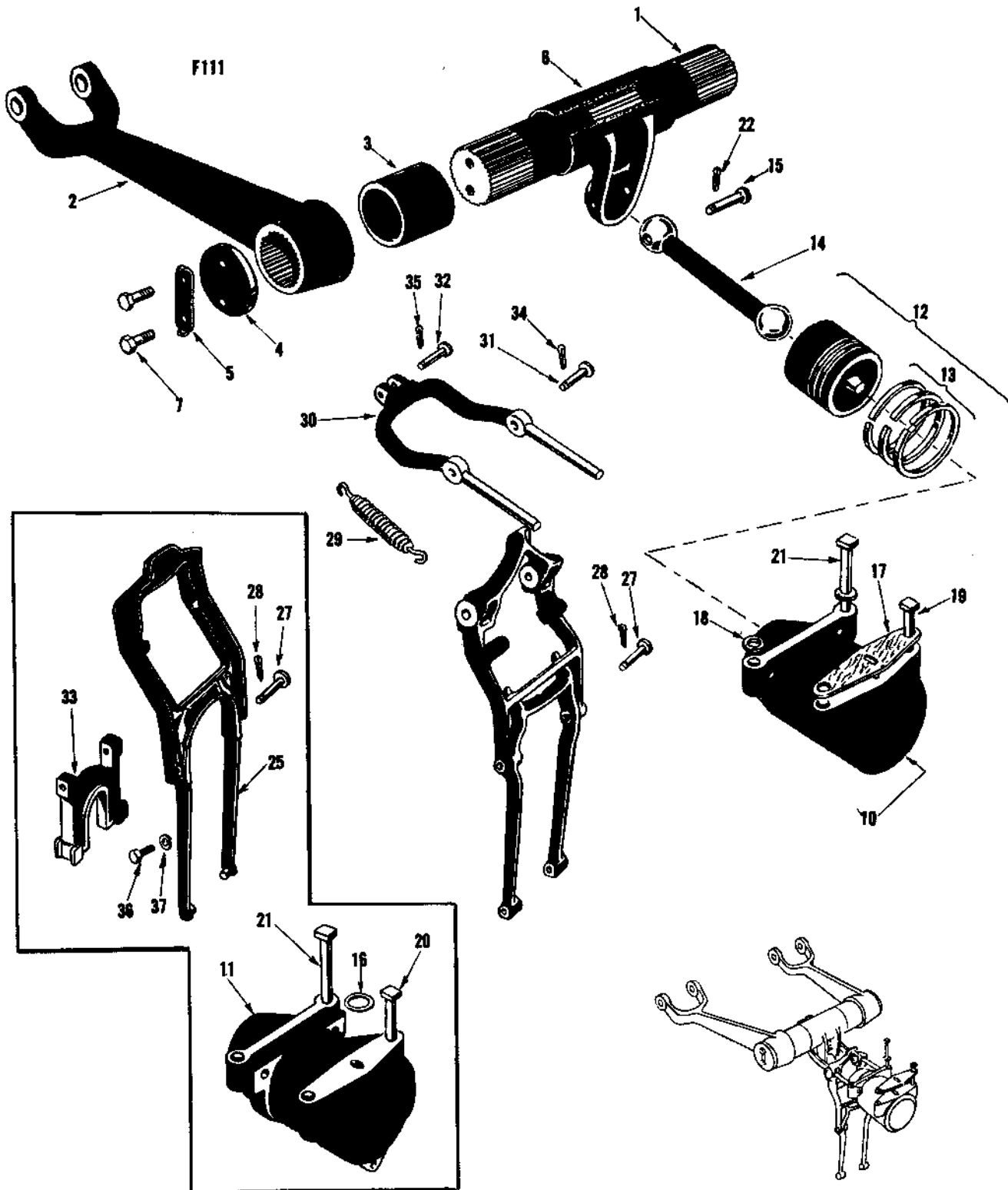
F82-1



HYDRAULIC LIFT SHAFT

Ref. No.	Part No.	Description	TO	TO	TE
			30	20	20
1	890 722 M1	Shaft, Hydraulic Lift.....	1	1	1
2	180 910 M1	Arm, Lift Shaft.....	2	2	2
3	180 896 M1	Bushing, Lift Shaft (2 x 2-3/8 x 3").....	2	2	2
4	180 917 M1	Washer, Arm Retaining.....	2	2	2
5	180 916 M1	Clip, Washer Retaining.....	2	2	2
6	890 743 M1	Arm, Lift Ram.....	1	1	1
7	353 391 X1	Bolt (7/16 x 1 1/16" NF, Hex.).....	4	4	4
10	180 884 M1	Cylinder, Hydraulic Lift (Order 829 382 M1).....	1	1	1
11	181 983 M1	Piston, Cylinder.....	1	1	1
12	830 663 M91	Ring Set, Piston (Order 180 898 M1).....	1	1	1
13	180 903 M2	Rod, Connecting.....	1	1	1
14	195 709 M1	Pin, Rod to Arm (1/4 x 2-1/4" Roll).....	1	1	1
15	195 632 M1	"O" Ring, Cylinder.....	1	-	-
16	181 058 M1	Gasket, Cylinder (15/32 x 1 x 1/32" Fiber).....	-	2	2
17	181 059 M1	Gasket, Cylinder.....	-	1	1
18	195 594 M1	Bolt (7/16 x 3-3/8" NF, Mach.).....	2	2	2
18	195 595 M1	Bolt (7/16 x 5" NF, Mach.).....	2	2	2
24	825 080 M91	Fork Assembly, Hydraulic Control.....	1	-	-
25	181 723 M91	Fork Assembly, Hydraulic Control, Top Half.....	-	1	1
26	181 724 M91	Fork Assembly, Hydraulic Control, Bottom Half.....	-	1	1
27	181 057 M1	Pin, Fork.....	2	2	2
28	354 046 X1	Cotter Pin (3/32 x 1/2").....	2	2	2
29	181 050 M1	Spring, Lift Fork Return.....	1	1	1
31	890 672 M1	Fork, Spring Control.....	1	1	1
32	354 057 X1	Pin, Spring Fork to Control Fork.....	2	2	2
33	195 611 M1	Pin, Fork to Plunger.....	1	1	1
34	181 160 M1	Stabilizer, Fork.....	1	-	-
35	354 056 X1	Cotter Pin (1/8 x 5/8").....	2	2	2
36	354 057 X1	Cotter Pin (1/8 x 3/4").....	1	1	1
37	353 504 X1	Bolt (1/4 x 7/8" NF, Hex.).....	2	-	-
38	353 441 X1	Washer (1/4" Lock).....	2	-	-

HYDRAULIC LIFT SHAFT



HYDRAULIC LIFT SHAFT

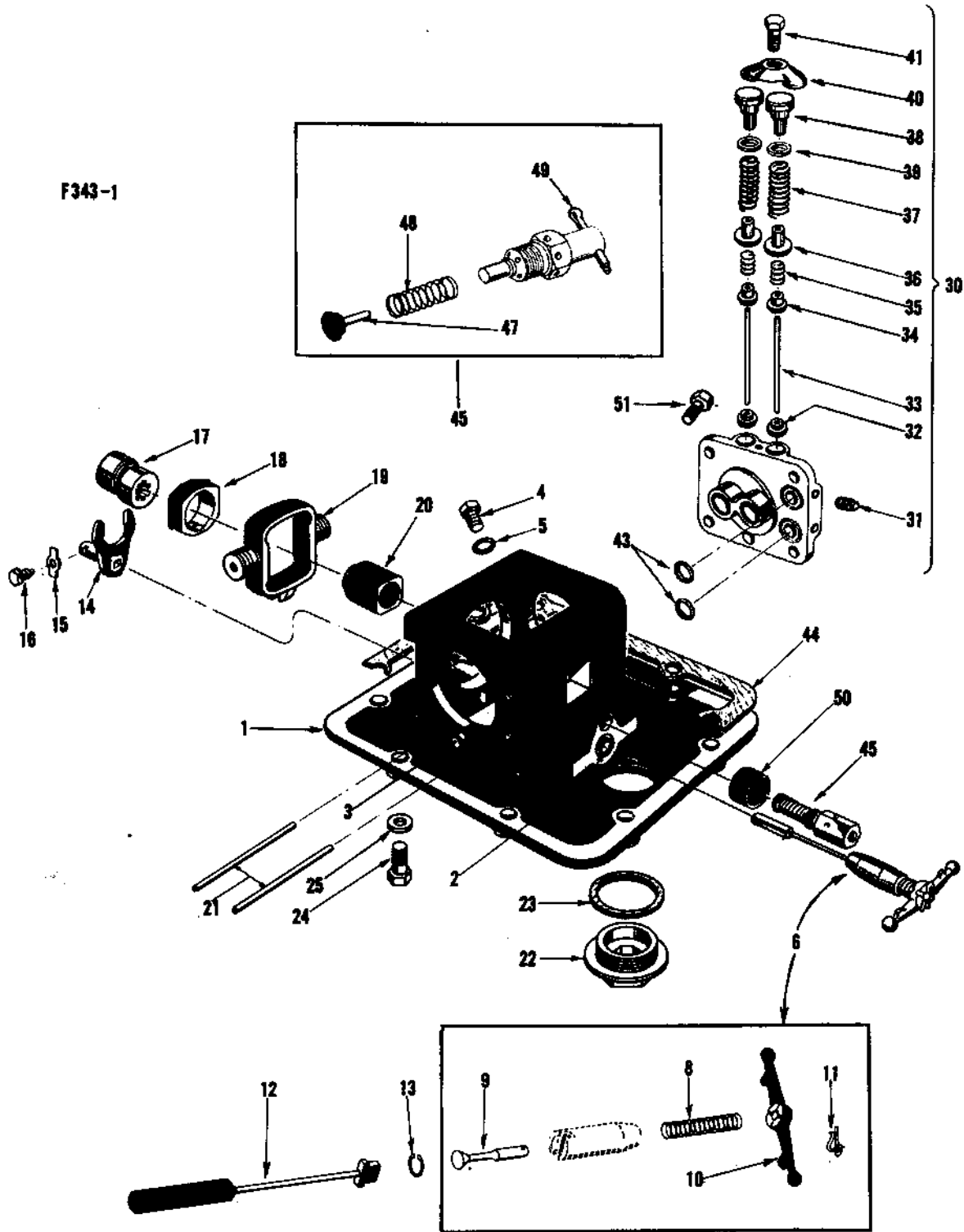
(TE-A20)

Ref. No.	Part No.	Description	80 MM	85 MM
1	890 722 M1	Shaft, Hydraulic Lift.....	1	1
2	180 910 M1	Arm, Lift Shaft.....	2	2
3	180 896 M1	Bushing, Lift Shaft (2 x 2-3/8 x 3").....	2	2
4	180 917 M1	Washer, Arm Retaining.....	2	2
5	180 916 M1	Clip, Washer Retaining.....	2	2
6	181 151 M1	Arm, Lift Ram (Order 890 743 M1).....	1	1
7	353 391 X1	Bolt (7/16 x 1 1/16" NF, Hex.).....	4	4
10 (A)	825 454 M1	Cylinder, Hydraulic Lift.....	-	1
11 (B)	180 884 M1	Cylinder, Hydraulic Lift (Order 829 382 M1).....	1	1
12	181 983 M1	Piston, Cylinder.....	1	1
13	830 663 M91	Ring Kit, Piston (Order 180 898 M1).....	1	1
14	180 903 M2	Rod, Connecting.....	1	1
15	195 238 M1	Pin, Clevis, Rod to Arm.....	1	1
16 (C)	195 632 M1	"O" Ring, Cylinder.....	-	1
17 (D)	825 415 M1	Gasket, Cylinder.....	-	1
18 (D)	181 058 M1	Gasket, Cylinder (15/32 x 1 x 1/32" Fibre).....	-	2
17 (E)	181 059 M1	Gasket, Cylinder.....	1	1
19 (A)	825 438 M1	Bolt (1/2 x 3-3/8" NF, Mach.).....	-	2
20 (B)	195 594 M1	Bolt (7/16 x 3-3/8" NF, Mach.).....	2	2
21	195 595 M1	Bolt (7/16 x 5" NF, Mach.).....	2	2
(A)	353 437 X1	Nut (1/2" NF, Hex.).....	-	2
(B)	353 426 X1	Nut (7/16" NF, Hex.).....	2	2
22	354 055 X1	Cotter Pin (1/8 x 1/2").....	1	1
25	825 080 M91	Fork Assembly, Hand Control.....	1	1
26	825 722 M91	Fork Assembly, Hand Control (Order 825 080 M91).....	1	1
27	181 057 M1	Pin, Fork.....	2	2
28	354 046 X1	Cotter Pin (3/32 x 1/2").....	2	2
29	181 050 M1	Spring, Lift, Fork Return.....	1	1
30	890 672 M1	Fork, Spring Control.....	1	1
31	354 057 X1	Pin, Spring Fork to Control Fork.....	2	2
32	195 611 M1	Pin, Fork to Plunger.....	1	1
33	825 059 M1	Stabilizer, Fork.....	-	1
34	354 056 X1	Cotter Pin (1/8 x 5/8").....	2	2
35	354 057 X1	Cotter Pin (1/8 x 3/4").....	1	1
36	353 504 X1	Bolt (1/4 x 7/8" NF, Hex.).....	-	2
37	353 441 X1	Washer (1/4" Lock).....	-	2

- Notes: (A) - Used Tractor Serial No. 268153 and up.
 (B) - Used prior to Tractor Serial No. 268 153.
 (C) - Used Tractor Serial No. 330043 and up.
 (D) - Used Tractor Serial No. 268 153 thru 330042.
 (E) - Used prior to Tractor Serial No. 268 153.

HYDRAULIC PUMP

F343-1

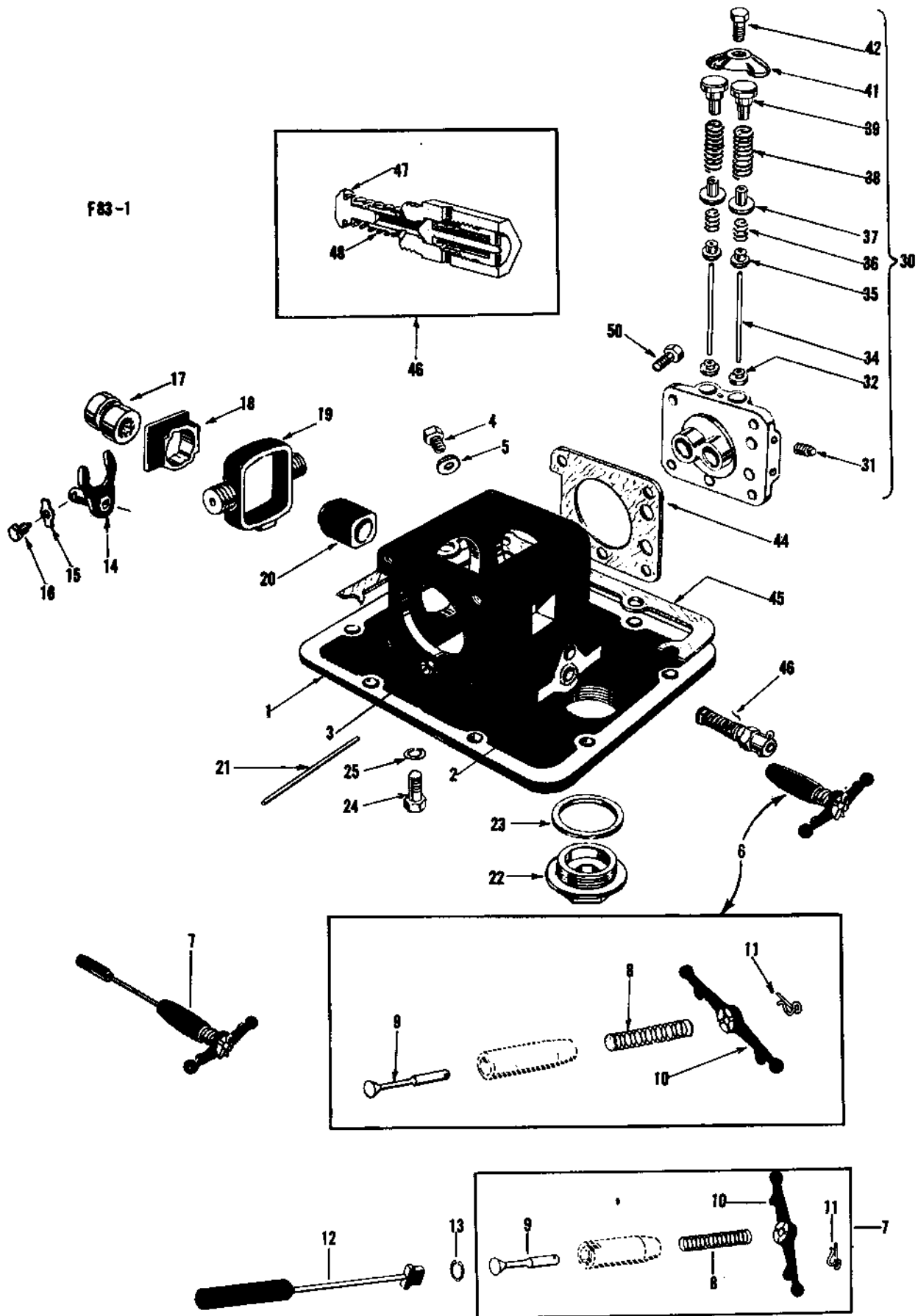


HYDRAULIC PUMP

Ref. No.	Part No.	Description	TO	TO	TE
			30	20	20
	181 166 M91	Pump Assembly, Hydraulic.....	-	1	1
	181 167 M91	Pump Assembly, Hydraulic.....	1	-	-
1	181 062 M91	Base Assembly, Pump.....	-	1	1
1	181 063 M91	Base Assembly, Pump.....	1	-	-
2	181 078 M1	Bushing, Valve.....	1	1	1
3	181 463 M1	Dowel, Base.....	2	2	2
4	181 072 M1	Plug, Base Drain.....	1	1	1
5	29 930 X	Gasket, Drain Plug.....	1	1	1
6	184 503 M91	Valve Assembly, Pump Control (Order 826 595 M91).....	1	-	-
6	181 088 M91	Valve Assembly, Pump Control (Order 890 513 M1).....	-	1	1
8	181 084 M1	Spring, Valve.....	1	1	1
9	827 552 M1	Stem, Valve.....	1	1	1
10	827 553 M1	Bar, Valve Stem.....	1	1	1
11	181 094 M1	Clip, Bar Retaining.....	1	1	1
12	181 162 M91	Drive Assembly, Valve.....	1	-	-
13	195 788 M1	Ring, Snap, Drive Retaining.....	1	-	-
14	181 161 M1	Fork Assembly, w/Pin.....	1	-	-
15	181 164 M1	Washer, Tab.....	1	-	-
16	181 165 M1	Screw, Set, Tab Washer Lock.....	1	-	-
17	181 070 M1	Cam, Pump.....	-	1	1
17	181 071 M1	Cam, Pump.....	1	-	-
18	181 066 M1	Block, Pump Cam.....	2	2	2
19	890 675 M1	Piston, Pump.....	2	2	2
20	181 095 M1	Bushing, Pump.....	1	1	1
21	181 069 M1	Steady, Piston.....	2	2	2
22	181 467 M1	Plug, Pump Drain.....	1	1	1
23	181 468 M1	Gasket, Drain Plug.....	1	1	1
24	353 704 X1	Bolt (7/16 x 1-3/4" NC, Hex.).....	9	9	9
25	353 772 X1	Washer (7/16" Heavy Flat).....	9	9	9
30	181 074 M91	Chamber Assembly, Valve (Right Hand).....	1	-	-
30	181 076 M91	Chamber Assembly, Valve (Left Hand).....	1	-	-
30	181 073 M91	Chamber Assembly, Valve (Right Hand).....	-	1	1
30	181 075 M91	Chamber Assembly, Valve (Left Hand).....	-	1	1
31	195 854 M1	Plug (1/4" Pipe, Sq. Hd.).....	2	2	2
32	181 080 M1	Socket, Valve Guide.....	2	2	2
33	181 079 M1	Guide, Valve.....	2	2	2
34	181 082 M1	Valve, Inlet.....	2	2	2
35	181 093 M1	Spring, Inlet Valve.....	2	2	2
36	181 081 M1	Valve, Outlet.....	2	2	2
37	181 092 M1	Spring, Outlet Valve.....	2	2	2
38	181 086 M1	Plug, Valve.....	2	2	2
39	181 096 M1	Washer, Valve Plug.....	2	2	2
40	181 064 M1	Clamp, Valve Retaining.....	1	1	1
41	353 702 X1	Bolt, Clamp (7/16 x 1-1/2" NC, Hex.).....	1	1	1
	181 067 M1	Gasket, Valve Chamber.....	-	2	2
43	851 258 M1	"O" Ring, Valve Chamber.....	4	-	-
44	181 065 M1	Gasket, Pump Base.....	1	1	1
45 (A)	181 087 M91	Valve Assembly, Safety.....	1	1	1
45 (B)	825 694 M91	Valve Assembly, Safety.....	-	-	1
47	181 085 M1	Valve, Safety Check.....	1	1	1
48	181 091 M1	Spring, Check Valve.....	1	1	1
49	354 057 X1	Cotter Pin (1/8 x 3/4").....	-	-	1
50	181 158 M1	Shield, Safety Valve.....	1	-	-
51	353 561 X1	Bolt, Chamber (7/16 x 1-1/4" NF, Hex.).....	4	-	-
51	353 563 X1	Bolt, Chamber (7/16 x 1-1/2" NF, Hex.).....	4	8	8

Notes: (A) - Used Tractor Serial No. 83271 and up. (TE-20 Tractor).
 (B) - Used prior to Tractor Serial No. 83271 (TE-20 Tractor).

HYDRAULIC PUMP



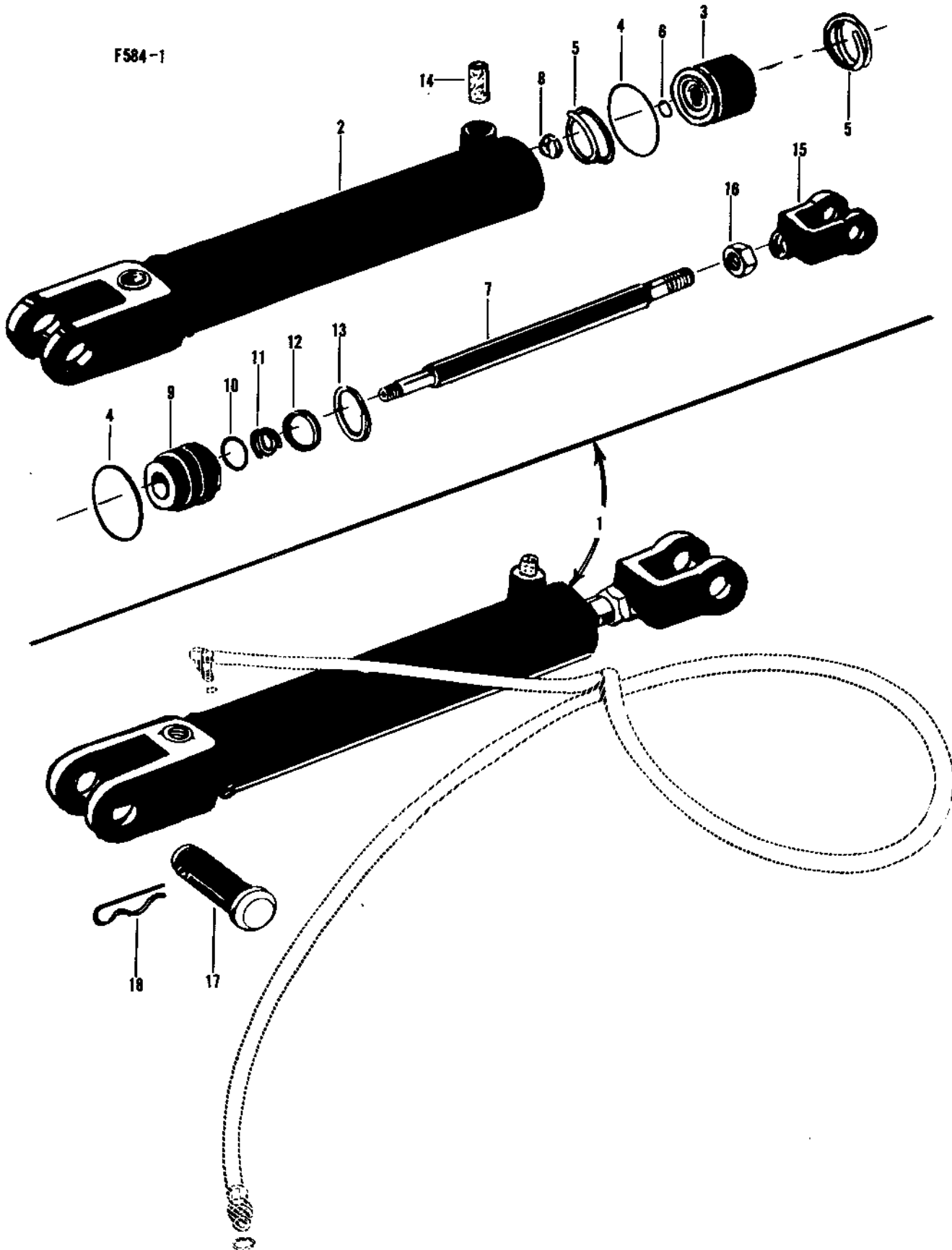
HYDRAULIC PUMP

149

Ref. No.	Part No.	Description	TE-A20	
			80 MM	85 MM
(A)	825 465 M91	Pump Assembly, Hydraulic.....	-	1
(B)	825 463 M91	Pump Assembly, Hydraulic.....	-	1
(C)	825 085 M91	Pump Assembly, Hydraulic (Order 825 463 M91 & 890 816 M1).....	1	1
1	825 436 M91	Base Assembly, Pump.....	1	1
2	181 078 M1	Bushing, Valve.....	1	1
3	181 463 M1	Dowel, Base.....	2	2
4	181 072 M1	Plug, Base Drain.....	1	1
5	29 930 X	Gasket, Drain Plug.....	1	1
6 (E)	825 441 M91	Valve Assembly, Pump Control.....	-	1
7 (F)	184 503 M91	Valve Assembly, Pump Control (Order 826 595 M91).....	1	1
8	181 084 M1	Spring, Valve.....	1	1
9	827 552 M1	Stem, Valve.....	1	1
10	827 553 M1	Bar, Valve Stem.....	1	1
11	181 094 M1	Clip, Bar Retaining.....	1	1
12	181 162 M91	Drive Assembly, Valve.....	1	1
13	825 023 M1	Ring, Snap, Drive Retaining.....	1	1
14	181 161 M1	Fork Assembly, w/Pin.....	1	1
15	825 444 M91	Washer, Tab.....	1	1
16	181 165 M1	Screw, Set, Tab Washer Lock.....	1	1
17 (G)	181 071 M1	Cam, Pump.....	1	1
17 (H)	181 070 M1	Cam, Pump.....	1	-
18	181 066 M1	Block, Pump Cam.....	2	2
19	890 675 M1	Piston, Pump.....	2	2
20	181 095 M1	Bushing, Pump.....	1	1
21	181 069 M1	Steady, Piston.....	2	2
22	181 467 M1	Plug, Pump Drain.....	1	1
23	181 468 M1	Gasket, Drain Plug.....	1	1
24	353 704 X1	Bolt (7/16 x 1-3/4" NC, Hex.).....	9	9
25	353 772 X1	Washer (7/16" Heavy Lock).....	9	9
30 (D)	825 435 M91	Chamber Assembly, Valve (Right Hand).....	-	1
30 (C)	181 073 M91	Chamber Assembly, Valve (Right Hand).....	1	1
30 (D)	825 434 M91	Chamber Assembly, Valve (Left Hand).....	-	1
30 (C)	181 075 M91	Chamber Assembly, Valve (Left Hand).....	1	1
31	196 854 M1	Plug (1/4" Pipe, Sq. Hd.).....	2	2
32	181 080 M1	Socket, Valve Guide.....	2	2
(K)	825 035 M91	Valve Assembly, w/Guide.....	-	2
34 (M)	181 079 M1	Guide, Valve.....	2	2
35 (M)	181 082 M1	Valve, Inlet.....	2	2
36	181 093 M1	Spring, Inlet Valve.....	2	2
37 (M)	181 081 M1	Valve, Outlet.....	2	2
38	181 092 M1	Spring, Outlet Valve.....	2	2
39 (K)	181 086 M1	Plug, Valve.....	-	2
39 (M)	825 032 M1	Plug, Valve.....	2	2
	825 022 M1	Cap, Valve Plug (Rubber).....	2	2
41	181 064 M1	Clamp, Valve Retaining.....	1	1
42	353 702 X1	Bolt, Clamp (7/16 x 1-1/2" NC, Hex.).....	1	1
(D)	851 258 M1	"O" Ring, Valve Chamber.....	-	4
44 (C)	181 067 M1	Gasket, Valve Chamber.....	2	2
45	181 065 M1	Gasket, Pump Base.....	1	1
46 (A)	825 439 M91	Valve Assembly, Safety.....	-	1
46 (N)	181 087 M91	Valve Assembly, Safety.....	1	1
47	181 085 M1	Valve, Safety Check.....	1	1
48	181 091 M1	Spring, Check Valve.....	1	1
(N)	181 158 M1	Shield, Safety Valve.....	1	1
50	353 563 X1	Bolt, Chamber (7/16 x 1-1/2" NF, Hex.).....	8	8

Notes: (A) - Used Tractor Serial No. 330043 and up.
 (B) - Used Tractor Serial No. 285933 thru 330042.
 (C) - Used prior to Tractor Serial No. 285933.
 (D) - Used Tractor Serial No. 285933 and up.
 (E) - Used Tractor Serial No. 407101 and up.
 (F) - Used prior to Tractor Serial No. 407101.
 (G) - Used Tractor Serial No. 134000 and up.
 (H) - Used prior to Tractor Serial No. 134000.
 (K) - Used Tractor Serial No. 200001 and up.
 (M) - Used prior to Tractor Serial No. 200001.
 (N) - Used prior to Tractor Serial No. 330043.

PULL BEHIND CYLINDER



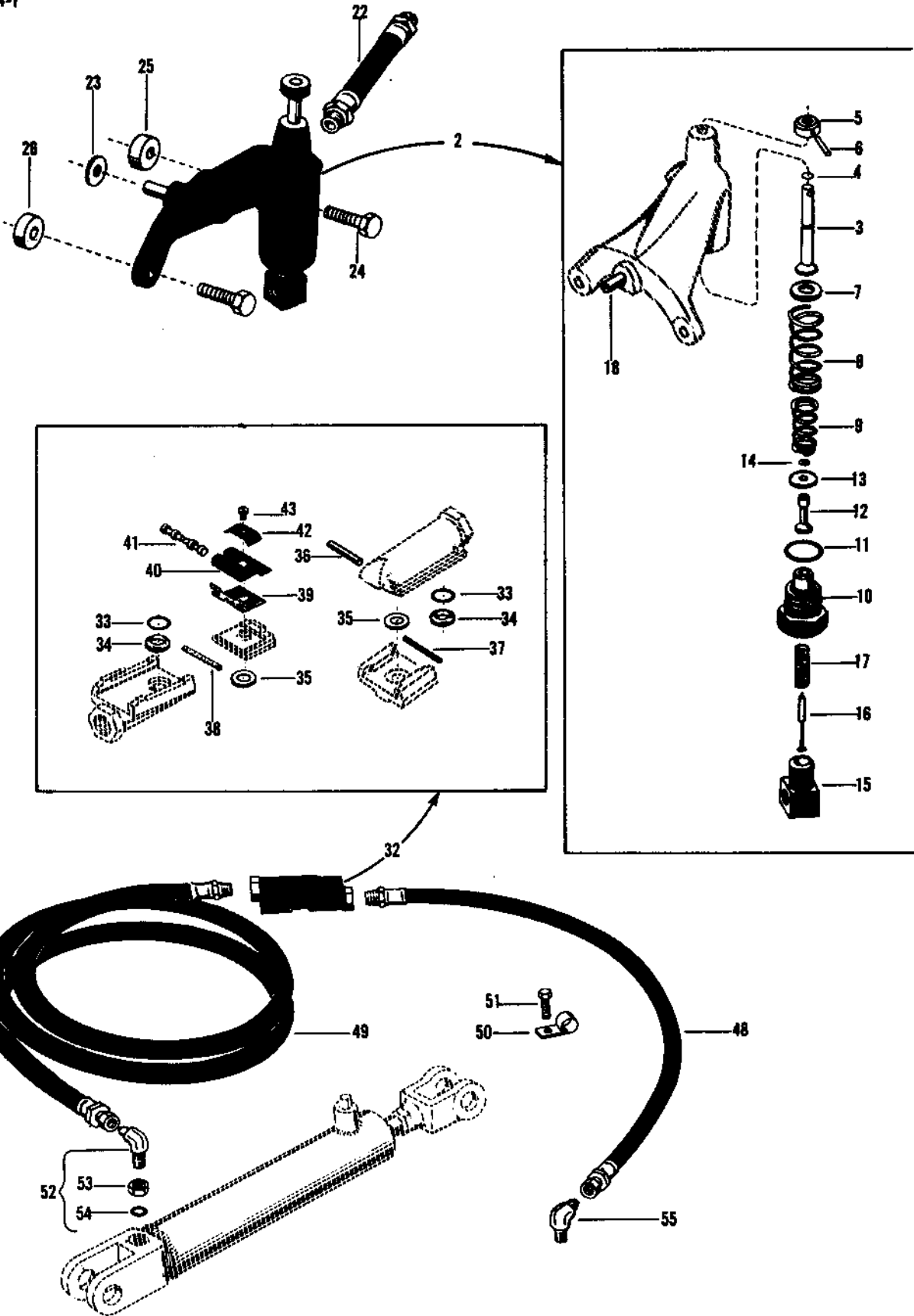
HYDRAULIC PULL BEHIND CYLINDER

(TO 20 AND TO 30)

<u>Ref.</u> <u>No.</u>	<u>Part No.</u>	<u>Description</u>	<u>No.</u> <u>Req.</u>
1	668 997 M92	Cylinder Assembly, Pull Behind.....	1
2	686 671 M91	Tube Assembly, Cylinder.....	1
3	668 996 M1	Piston, Cylinder.....	1
4	851 147 M1	"O" Ring, Piston and Head, Outer.....	2
5	831 454 M1	Ring, "O" Ring Back-up.....	2
6	831 585 M1	"O" Ring, Piston, Inner.....	1
7	686 675 M1	Rod, Piston.....	1
8	357 561 X1	Nut, Piston Retaining.....	1
9	686 678 M1	Head, Cylinder.....	1
10	196 027 M1	"O" Ring, Head, Inner.....	1
11	195 919 M1	Ring, "O" Ring Back-up.....	1
12	831 451 M1	Seal, Oil, Cylinder Head.....	1
13	357 191 X1	Ring, Cylinder Head Retaining.....	1
14	669 045 M92	Breather Assembly, Cylinder.....	1
15	686 677 M2	Clevis, Piston Rod.....	1
16	353 436 X1	Nut, Lock (3/4" NF, Half Hex.).....	1
17	354 195 X1	Pin, Hydraulic Cylinder Retaining.....	2
18	195 708 M1	Pin, Hair.....	2

HYDRAULIC VALVE , BREAKAWAY COUPLING

F344-1



HYDRAULIC VALVE

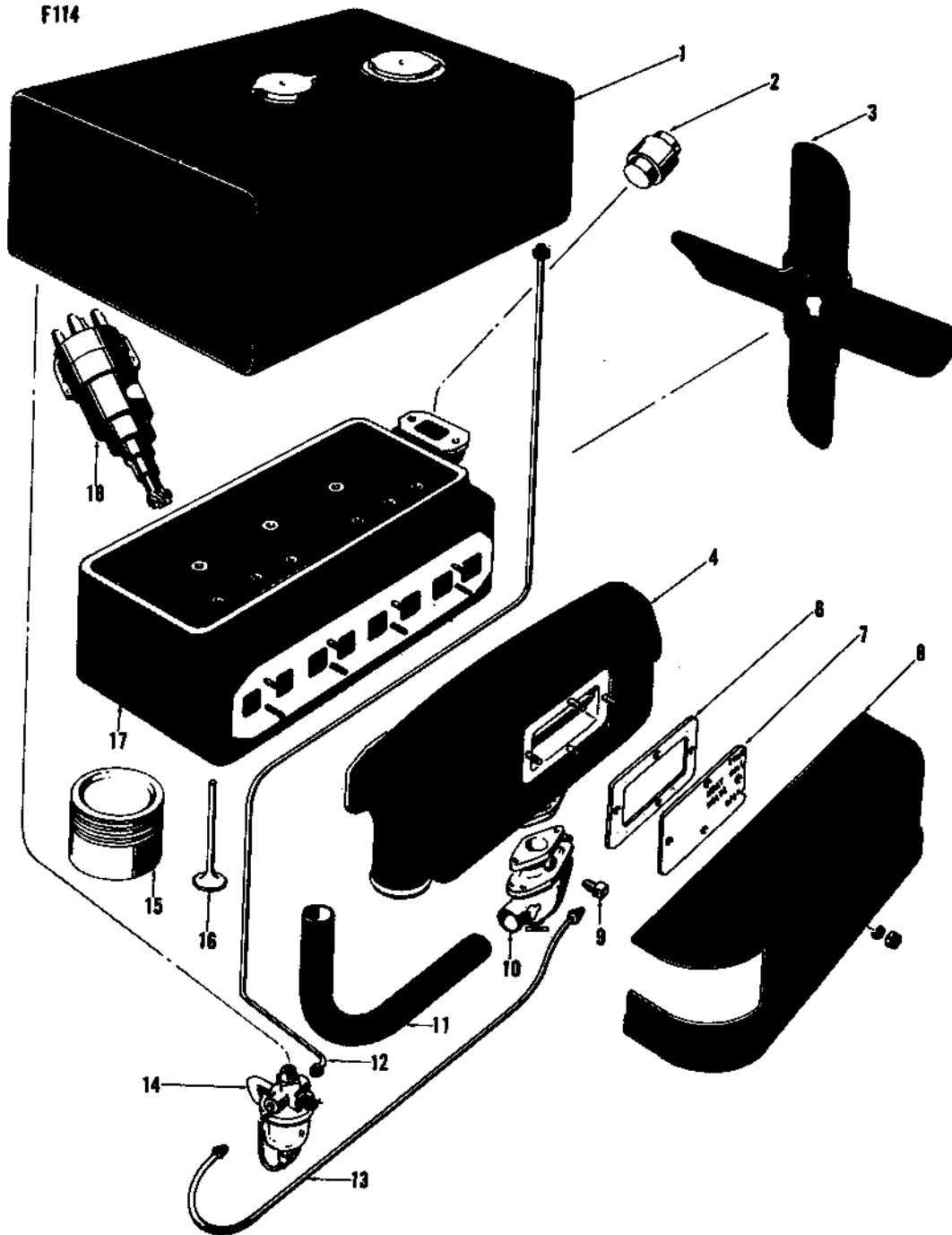
(TO 30)

Ref. No.	Part No.	Description	No. Req.
	677 054	Valve Assembly Kit.....	1
2	670 025 M91	Valve Assembly.....	1
3	670 037 M1	Valve, Primary.....	1
4	762 191 M1	"O" Ring, Primary Valve.....	1
5	670 036 M1	Cap, Primary Valve.....	1
6	353 486 X1	Pin, Cap to Valve.....	1
7	670 032 M1	Washer, Primary Valve.....	1
8	670 035 M1	Spring, Primary Valve.....	1
9	670 030 M1	Spring, Variable Valve.....	1
10	670 027 M1	Housing, Valve, Lower.....	1
11	195 470 M1	"O" Ring, Lower Housing.....	1
12	670 028 M1	Valve, Secondary.....	1
13	670 033 M1	Washer, Spring Retaining.....	1
14	195 469 M1	Nut, Valve Washer Retaining.....	1
15	670 583 M1	Retainer, Secondary Spring.....	1
16	670 029 M1	Valve, Variable.....	1
17	670 034 M1	Spring, Secondary Valve.....	1
18	670 008 M1	Tube, Valve Drop.....	1
22	195 383 M1	Hose, Valve (7" Long).....	1
23	670 004 M1	Gasket, Valve.....	1
24	353 702 X1	Bolt (7/16 x 1-1/2" NC, Hex.).....	2
25	670 002 M1	Washer (15/32 x 1 x 3/8").....	1
26	670 003 M1	Washer (15/32 x 1 x 1/4").....	1
	195 388 M1	Wrench, Allen (for 5/16" Socket).....	1

BREAKAWAY COUPLING

(TO 20 AND TO 30)

32	669 058 M91	Coupler Assembly, Breakaway.....	1
33	1 752 506 M1	"O" Ring, Barrel.....	2
34	1 753 509 M1	Seal, "O" Ring Retainer.....	2
35	1 753 510 M1	Seal, Waffer (in Slide).....	2
36	1 753 506 M1	Pin, Stop Slide.....	1
37	1 753 504 M1	Wiper (Synthetic).....	1
38	1 753 505 M1	Wiper (Felt).....	1
39	1 753 500 M1	Spring, Latch.....	1
40	1 753 508 M1	Lock, Latch Spring.....	1
41	1 753 507 M1	Latch, Lock.....	1
42	1 753 501 M1	Clamp, Latch Spring.....	1
43	353 995 X1	Screw, Clamp.....	1
48	669 060 M91	Hose Assembly (40" Long).....	1
49	669 059 M91	Hose Assembly (92" Long).....	1
50	669 026 M1	Clamp, Hose.....	1
51	353 540 X1	Bolt, Clamp (3/8 x 1-1/4" NF, Hex.).....	1
52	357 197 X91	Elbow Assembly (in Cylinder) (90°).....	1
53	357 195 X1	Nut, Elbow (9/16" NF, Half Hex.).....	1
54	831 452 M1	"O" Ring, Elbow.....	1
55	356 360 X1	Elbow (90°).....	1



TO-D TRACTOR

FUEL OIL

Parts listed below are peculiar only to the TO-D20 Tractor. Repairs of TO-D20 Tractors, other than those shown below are to be taken from TO-20 Tractor.

Ref. No.	Part No.	Description	No. Req.
	182 284 M91	Engine Assembly, Fuel Oil.....	1
1	181 734 M91	Tank and Cap Assembly, Fuel.....	1
	520 948 M91	Cap, Fuel Tank.....	2
2	181 732 M1	Thermostat.....	1
3	181 733 M91	Fan Blade.....	1
4	1 750 354 M91	Manifold Assembly, Intake and Exhaust.....	1
	1 005 076 M1	Stud, Manifold Cover to Manifold.....	4
	353 441 X1	Washer, Lock.....	4
	355 564 X1	Nut.....	4
6	1 750 352 M1	Gasket, Manifold Cover.....	1
7	1 750 351 M1	Cover, Manifold (Heat Valve).....	1
8	1 750 353 M1	Shield, Manifold Heat.....	1
9	16 993 X	Elbow, Fuel Line.....	1
10	181 740 M91	Carbureter Assembly.....	1
	1 751 336 M1	Nozzle, Power.....	1
	760 702 M1	Petcock, Bowl Drain.....	1
	17 508 A	Venturi.....	1
	15 469 A	Jet, Idle.....	1
	14 846 A	Gasket, Nozzle.....	1
	1 505 306 M1	Packing, Throttle Shaft.....	1
	830 504 M92	Kit, Carbureter.....	1
	830 503 M91	Gasket Kit Carbureter (Order 1 - 181 531 M2 & 1 -836 611 M91.....	1
11	181 744 M1	Tube, Air Cleaner to Carbureter.....	1
12	181 739 M91	Tube Assembly, Connection Line.....	1
	195 444 M1	Nut, Fuel Line.....	2
13	181 738 M91	Tube Assembly, Carbureter Line.....	1
	195 444 M1	Nut, Fuel Line.....	2
14	181 736 M91	Filter Assembly, Double Fuel.....	1
	181 735 M1	Spring, Fuel Filter Stem.....	1
	181 737 M1	Screen, Double Fuel.....	1
	195 857 M1	Washer, Flat.....	1
	195 858 M1	Washer, Valve Stop.....	1
	354 039 X1	Cotter Pin.....	1
15	830 650 M91	Sleeve and Piston Assembly (Incl. Pistons, Sleeves and Rings).....	1
16	830 662 M91	Valve Set, Intake (Set of 4).....	1
17	1 751 365 M91	Head Assembly, Cylinder Stripped.....	1
18	181 743 M91	Distributor Assembly.....	1
	1 024 922 M1	Wick, Cam.....	1
	1 750 523 M1	Cam, Advance and Breaker.....	1
	1 750 479 M1	Spring, Weight.....	2
	1 750 462 M1	Weight.....	1
	1 750 522 M91	Mainshaft and Weight Plate.....	1
	1 750 499 M1	Bushing.....	1
	355 444 X1	Washer, Lock, Terminal Stud (Inside).....	1
	1 750 513 M1	Bushing, Stud (Outside).....	1
	1 750 514 M1	Lock, Clip, Stud (Outside).....	1
	1 750 519 M1	Bushing, Stud (Inside).....	1
	1 750 520 M1	Stud, Terminal.....	1